



SERVICE MANUAL

MODEL TYPE: YS1017
YSS1

WEB ACCESS: <http://www.yorkville.com>

WORLD HEADQUARTERS CANADA

Yorkville Sound
550 Granite Court
Pickering, Ontario
L1W-3Y8 CANADA

Voice: (905) 837-8481
Fax: (905) 837-8746

U.S.A.

Yorkville Sound Inc.
4625 Witmer Industrial Estate
Niagara Falls, New York
14305 USA

Voice: (716) 297-2920
Fax: (716) 297-3689



Quality and Innovation Since 1963
Printed in Canada

IMPORTANT SAFETY INSTRUCTIONS



INSTRUCTIONS PERTAINING TO A RISK OF FIRE, ELECTRIC SHOCK, OR INJURY TO PERSONS

INSTRUCTIONS RELATIVES AU RISQUE DE FEU, CHOC ÉLECTRIQUE, OU BLESSURES AUX PERSONNES

CAUTION:

TO REDUCE THE RISK OF ELECTRIC SHOCK, DO NOT REMOVE COVER (OR BACK).

NO USER SERVICEABLE PARTS INSIDE.

REFER SERVICING TO QUALIFIED SERVICE PERSONNEL.

AVIS:

AFIN DE REDUIRE LES RISQUE DE CHOC ELECTRIQUE, N'ENLEVEZ PAS LE COUVERT (OU LE PANNEAU ARRIERE)

NE CONTIENT AUCUNE PIECE REPARABLE PAR L'UTILISATEUR.

CONSULTEZ UN TECHNICIEN QUALIFIE POUR L'ENTRETIEN

Read Instructions: The Owner's Manual should be read and understood before operation of your unit.

Please, save these instructions for future reference and heed all warnings.

Clean only with dry cloth.

Packaging: Keep the box and packaging materials, in case the unit needs to be returned for service.

Warning: To reduce the risk of fire or electric shock, do not expose this apparatus to rain or moisture.

Warning: When using electric products, basic precautions should always be followed, including the following:

Power Sources

Your unit should be connected to a power source only of the voltage specified in the owners manual or as marked on the unit. This unit has a polarized plug. Do not use with an extension cord or receptacle unless the plug can be fully inserted. Precautions should be taken so that the grounding scheme on the unit is not defeated.

Hazards

Do not place this product on an unstable cart, stand, tripod, bracket or table. The product may fall, causing serious personal injury and serious damage to the product. Use only with cart, stand, tripod, bracket, or table recommended by the manufacturer or sold with the product. Follow the manufacturer's instructions when installing the product and user mounting accessories recommended by the manufacturer.

The apparatus should not be exposed to dripping or splashing water; no objects filled with liquids should be placed on the apparatus.

Terminals marked with the "lightning bolt" are hazardous live; the external wiring connected to these terminals require installation by an instructed person or the use of ready made leads or cords.

Ensure that proper ventilation is provided around the appliance.

No naked flame sources, such as lighted candles, should be placed on the apparatus.

Power Cord

The AC supply cord should be routed so that it is unlikely that it will be damaged. If the AC supply cord is damaged DO NOT OPERATE THE UNIT.

Unplug this apparatus during lightning storms or when unused for long periods of time.

Service

The unit should be serviced only by qualified service personnel.

Veillez Lire le Manuel: Il contient des informations qui devraient être comprises avant l'opération de votre appareil. Conservez

Gardez S.V.P. ces instructions pour consultations ultérieures et observez tous les avertissements.

Nettoyez seulement avec le tissu sec.

Emballage: Conservez la boîte au cas où l'appareil devait être retourner pour réparation.

Avertissement: Pour réduire le risque de feu ou la décharge électrique, n'exposez pas cet appareil à la pluie ou à l'humidité.

Attention: Lors de l'utilisation de produits électrique, assurez-vous d'adhérer à des précautions de bases incluant celle qui suivent:

Alimentation

L'appareil ne doit être branché qu'à une source d'alimentation correspondant au voltage spécifié dans le manuel ou tel qu'indiqué sur l'appareil. Cet appareil est équipé d'une prise d'alimentation polarisée. Ne pas utiliser cet appareil avec un cordon de raccordement à moins qu'il soit possible d'insérer complètement les trois lames. Des précautions doivent être prises afin d'éviter que le système de mise à la terre de l'appareil ne soit désengagé.

Risque

Ne pas placer cet appareil sur un chariot, un support, un trépied ou une table instables. L'appareil pourrait tomber et blesser quelqu'un ou subir des dommages importants. Utiliser seulement un chariot, un support, un trépied ou une table recommandés par le fabricant ou vendus avec le produit. Suivre les instructions du fabricant pour installer l'appareil et utiliser les accessoires recommandés par le fabricant.

Il convient de ne pas placer sur l'appareil de sources de flammes nues, telles que des bougies allumées.

L'appareil ne doit pas être exposé à des égouttements d'eau ou des éclaboussures et qu'aucun objet rempli de liquide tel que des vases ne doit être placé sur l'appareil.

Assurez que l'appareil est fourni de la propre ventilation.

Les dispositifs marqués d'une symbole "d'éclair" sont des parties dangereuses au toucher et que les câblages extérieurs connectés à ces dispositifs de connexion extérieure doivent être effectués par un opérateur formé ou en utilisant des cordons déjà préparés.

Cordon d'Alimentation

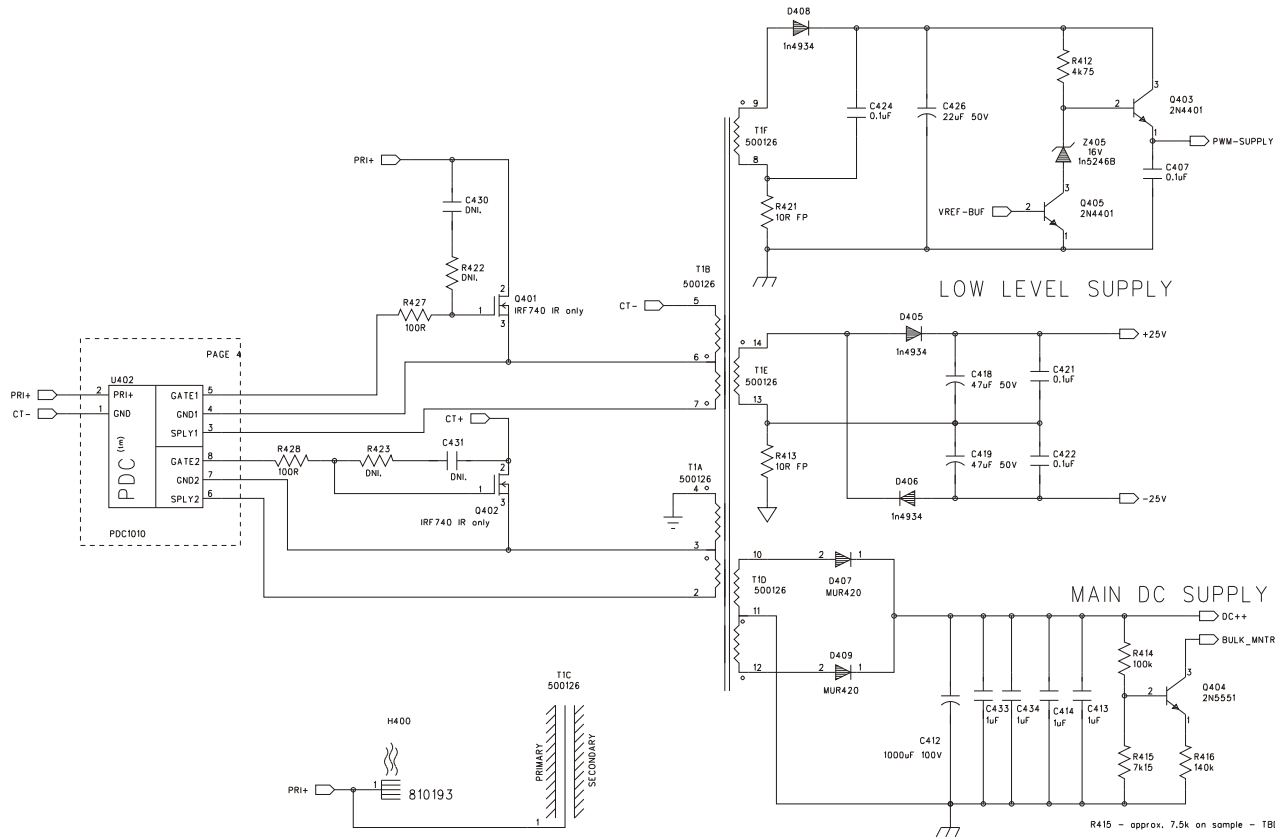
Évitez d'endommager le cordon d'alimentation. N'UTILISEZ PAS L'APPAREIL si le cordon d'alimentation est endommagé.

Débranchez cet appareil durant les orages ou si inutilisé pendant de longues périodes.

Service

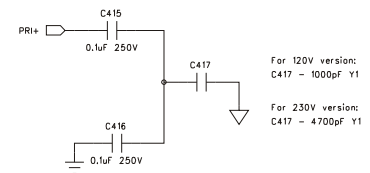
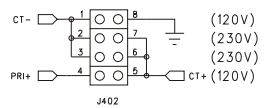
Consultez un technicien qualifié pour l'entretien de votre appareil.

REVISION RECORD			
LTR	ECO NO:	APPROVED:	DATE:

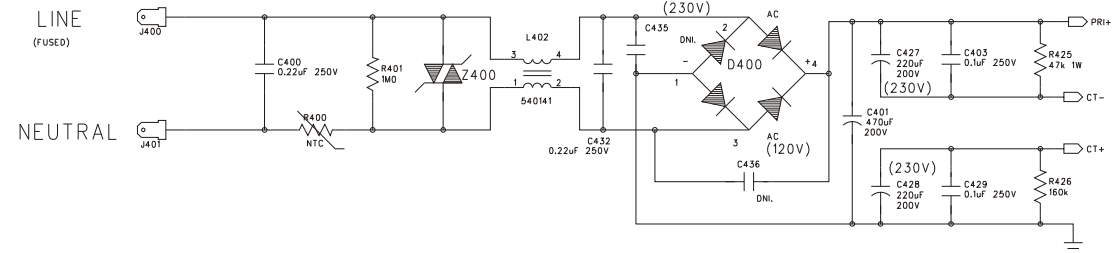


LOW LEVEL SUPPLY

MAIN DC SUPPLY



EMI REDUCTION



HC BASH 200W PS AC-DC CONVERTER

This drawing and data embody proprietary designs and information, which is the confidential property of Indigo Manufacturing Inc. None of which shall be copied, reproduced, disclosed to others, proposed or used in whole or in part, for any purpose without express written permission of a duly authorized agent of Indigo Manufacturing Inc. This drawing is subject to recall by Indigo Manufacturing of any time. It is being submitted in confidence, and patent rights are reserved by Indigo Manufacturing Inc.

INDIGO

DRAWN: Mark Chen	DATED: MAR.01.2002	PCB: 600107 Rev.1	SIZE:	DRAWING NO: SH0282	REV: 5
CHECKED:	DATED:	RELEASED:	DATED:	SCALE:	SHEET: 2 OF 5

D

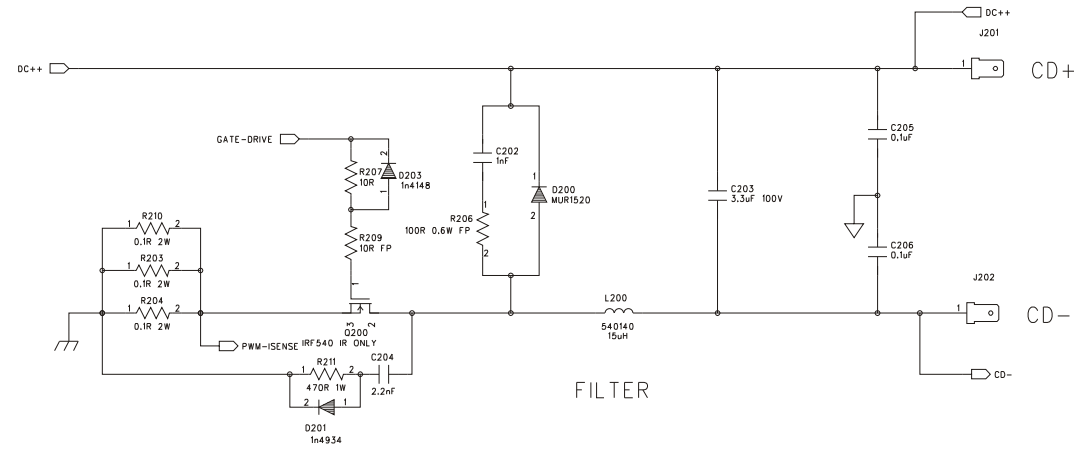
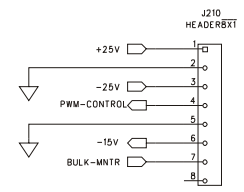
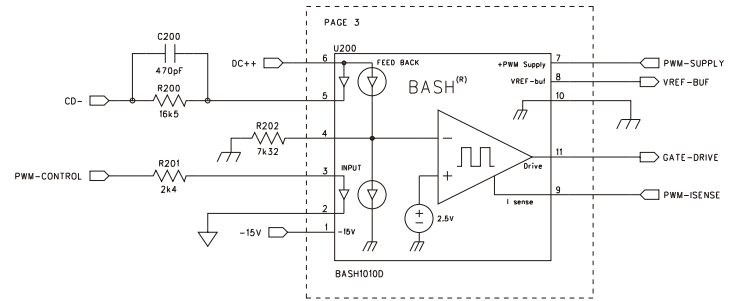
C

B

A

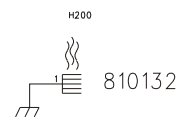
REVISION RECORD			
LTR	ECO NO:	APPROVED:	DATE:

TO LINEAR BOARD



FILTER

CLASS-D SWITCH



TITLE:
HC BASH 200W PS BUCK CONVERTER

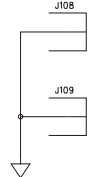
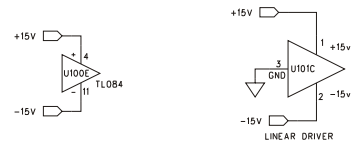
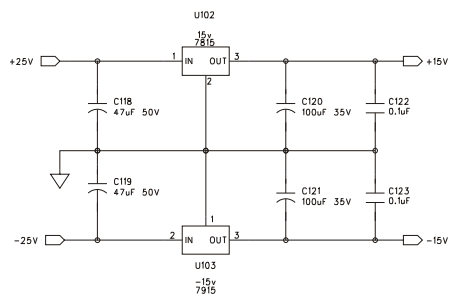
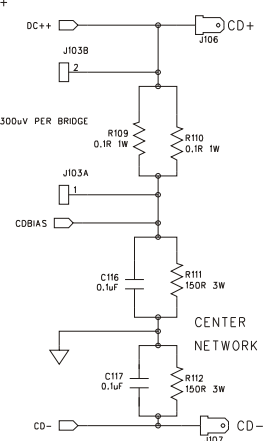
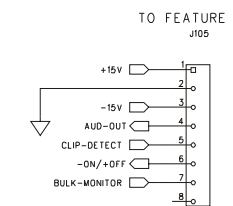
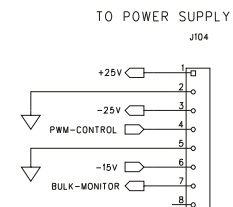
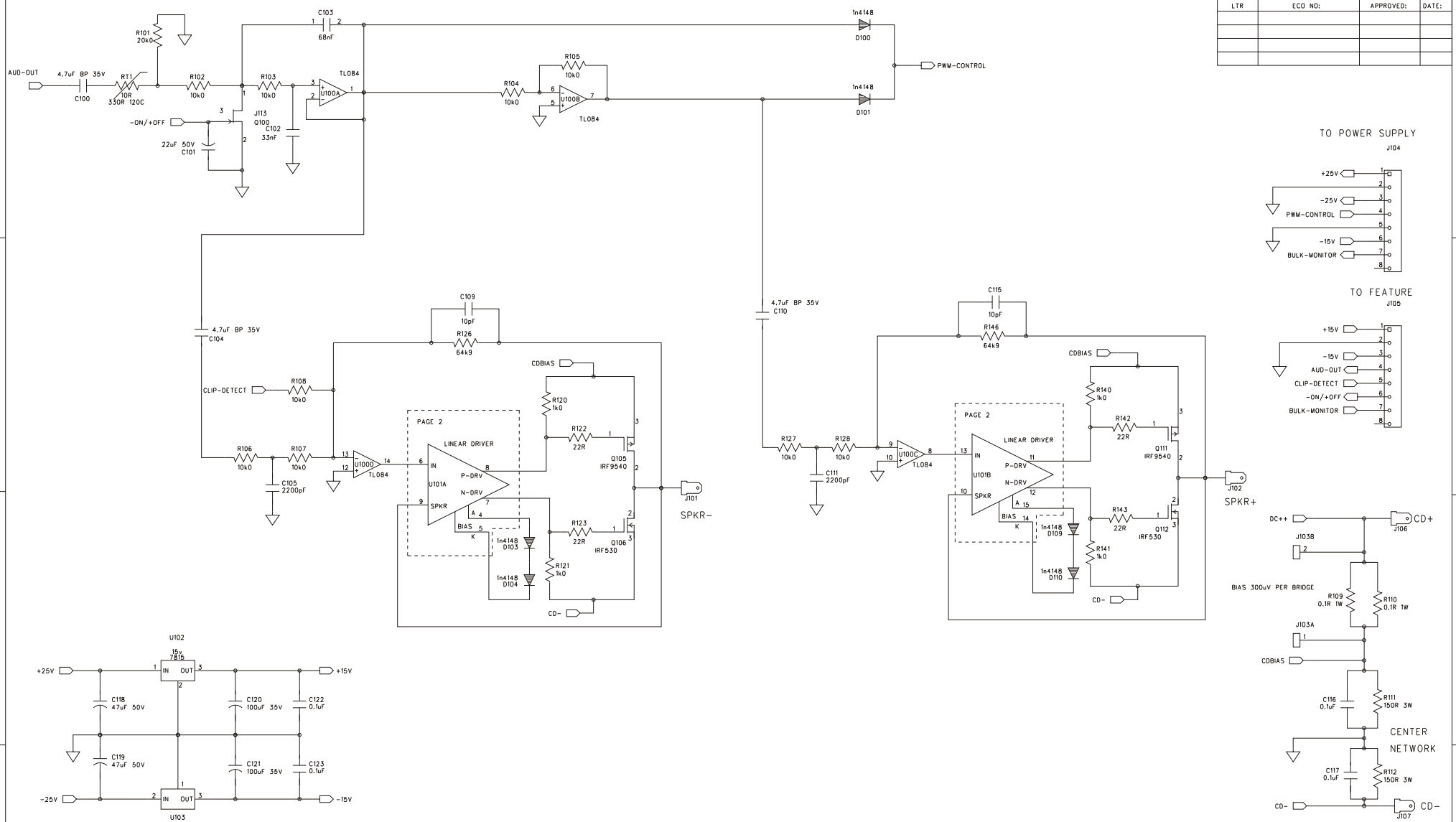
This drawing and data embody proprietary designs and information. TRADE: is the confidential property of Indigo Manufacturing Inc. None of which shall be copied, reproduced, disclosed to others, proposed or used in whole or in part, for any purpose without express written permission of a duly authorized agent of Indigo Manufacturing Inc. This drawing is subject to recall by Indigo Manufacturing at any time, it is being submitted in confidence, and patent rights are reserved by Indigo Manufacturing Inc.

INDIGO
 INDIGO Manufacturing Inc.
 165 Steelcase Road East
 Markham, ON, L3R 1G1

DRAWN: Mark Chen	DATED: MAR.01.2002
CHECKED:	DATED:
QUALITY CONTROL:	DATED:
RELEASED:	DATED:

PCB: 600107 Rev.1	SIZE:	DRAWING NO: SH0282	REV: 5
SCALE:			SHEET: 1 OF 5

REVISION RECORD			
LTR	ECD NO:	APPROVED:	DATE:



TITLE: **HC BASH LINEAR AMPLIFIER**

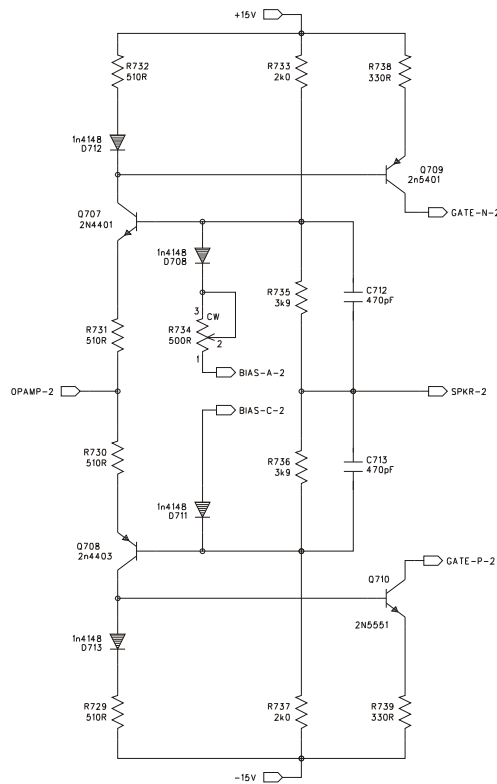
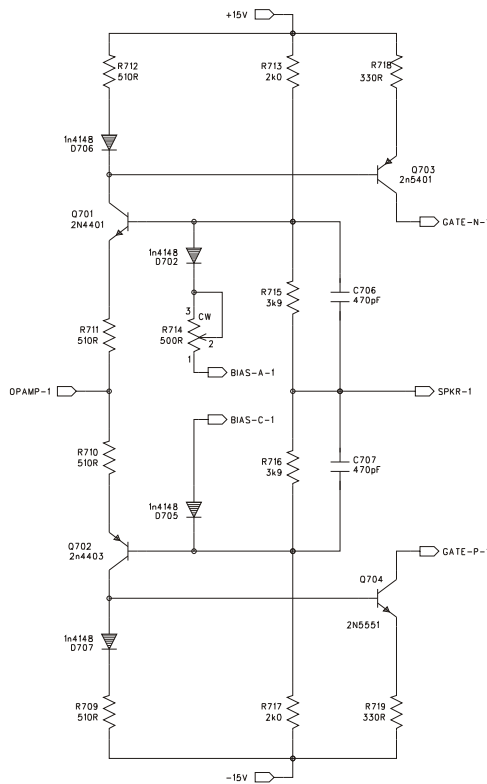
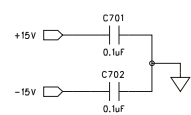
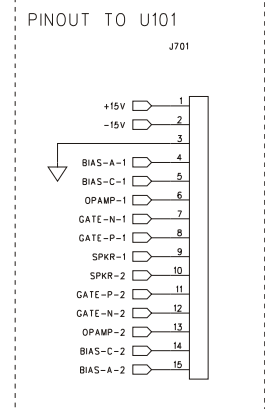
This drawing and data embody proprietary designs and information, which is the confidential property of Indigo Manufacturing Inc. None of which shall be copied, reproduced, disclosed to others, proposed or used in whole or in part, for any purpose without express written permission of a duly authorized agent of Indigo Manufacturing Inc. This drawing is subject to recall by Indigo Manufacturing at any time. It is being submitted in confidence, and patent rights are reserved by Indigo Manufacturing Inc.

DRAWN: Jelozko Batchvarov	DATE: Sept.20.2002
CHECKED:	DATE:
QUALITY CONTROL:	DATE:
RELEASED:	DATE:

PCB: 650038	SIZE:	DRAWING NO: SH0294	REV: 1
SCALE:		SHEET: 1 OF 3	

INDIGO
INDIGO Manufacturing Inc.
165 Steelcase Road East
Markham, ON, L3R 1G1

REVISION RECORD			
LTR	ECO NO:	APPROVED:	DATE:



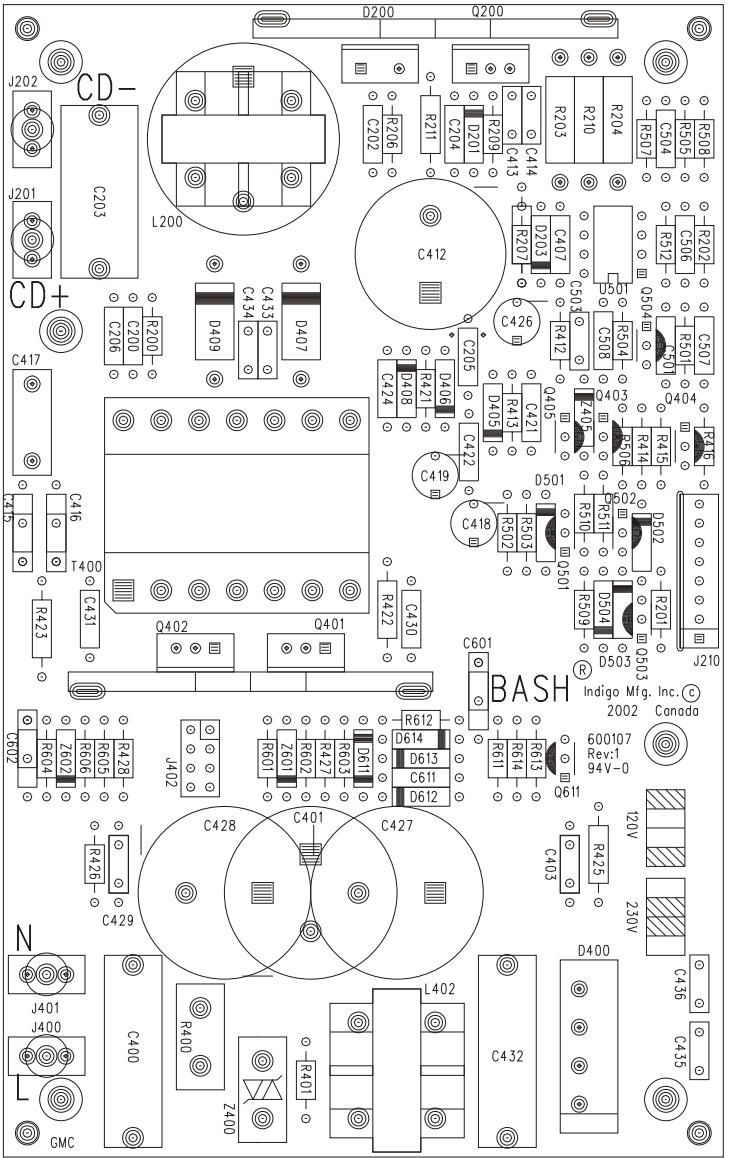
TITLE:
HC BASH 200W LIN1010

This drawing and data embody proprietary designs and information, which is the confidential property of Indigo Manufacturing Inc. None of which should be copied, reproduced, disclosed to others, prepared or used in whole or in part, for any purpose without express written permission of a duly authorized agent of Indigo Manufacturing Inc. This drawing is subject to recall by Indigo Manufacturing at any time. It is being submitted in confidence, and patent rights are reserved by Indigo Manufacturing Inc.

INDIGO
 INDIGO Manufacturing Inc.
 165 Steelcase Road East
 Markham, ON, L3R 1G1

DRAWN: Mark Chen	DATED: MAR.01.2002
CHECKED:	DATED:
QUALITY CONTROL:	DATED:
RELEASED:	DATED:

PCB: 650038	SIZE:	DRAWING NO: SH0294	REV: 1
SCALE:		SHEET: 2 OF 3	



0.000"
0.000"

INDIGO CONFIDENTIAL

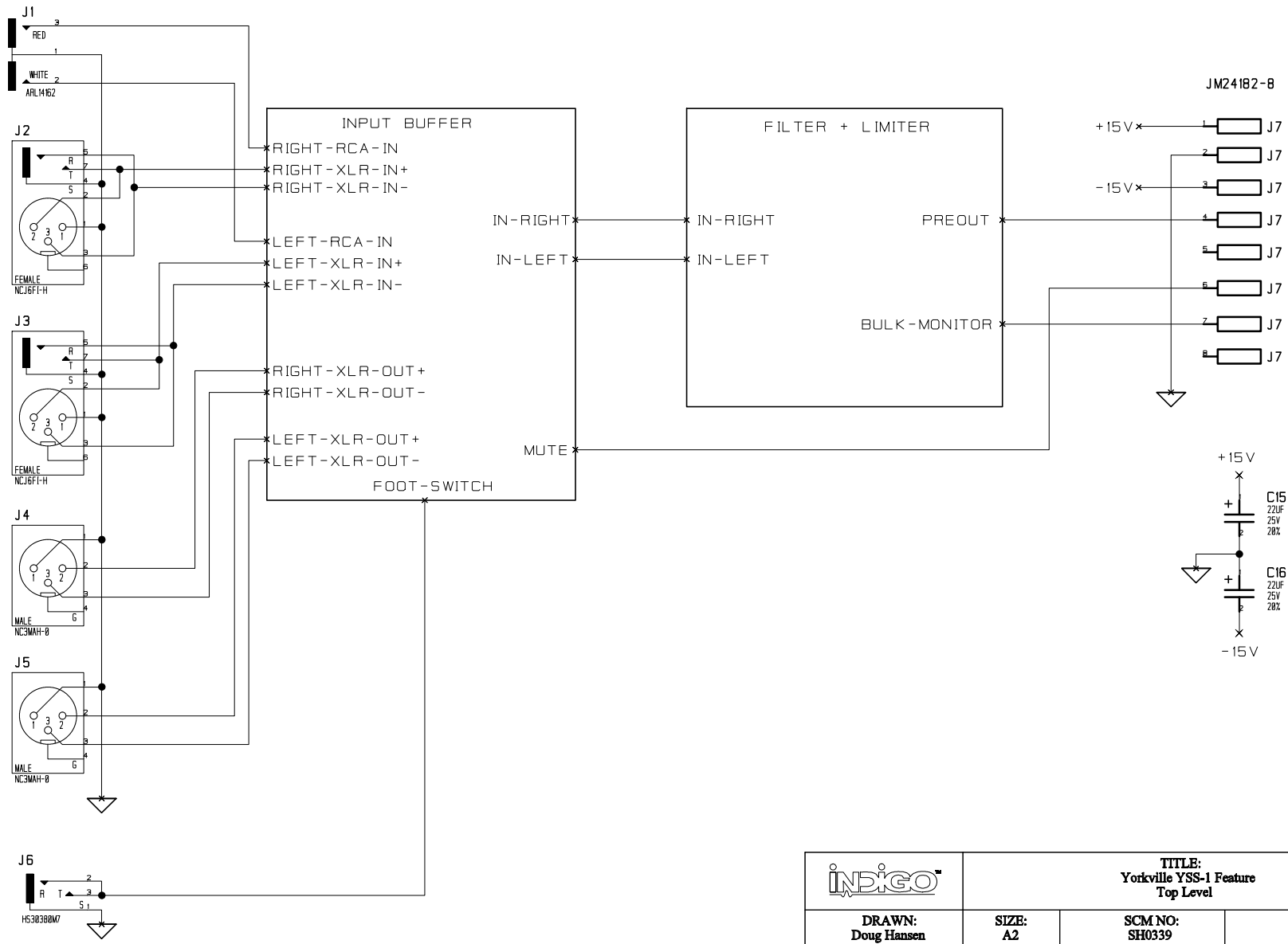
REPRODUCTION OR ISSUE TO 3RD PARTIES IS PROHIBITED

This drawing and data embody proprietary designs and information, which is the confidential property of Indigo Manufacturing Inc. None of which shall be copied, reproduced, disclosed to others, proposed or used in whole or in part, for any purpose without express written permission of a duly authorized agent of Indigo Manufacturing Inc. This document is subject to recall by Indigo Manufacturing at any time. It is being submitted in confidence, and patent rights are reserved by Indigo Manufacturing Inc.

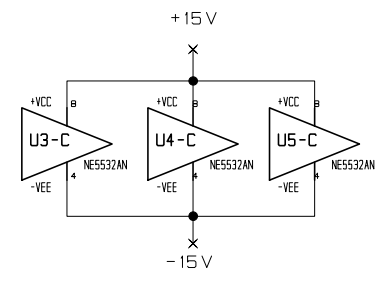
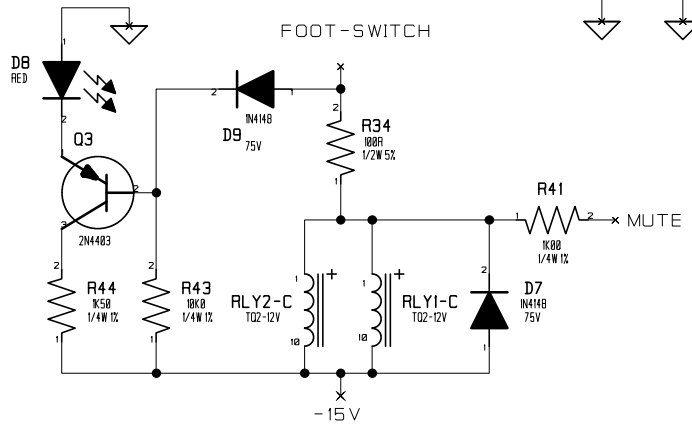
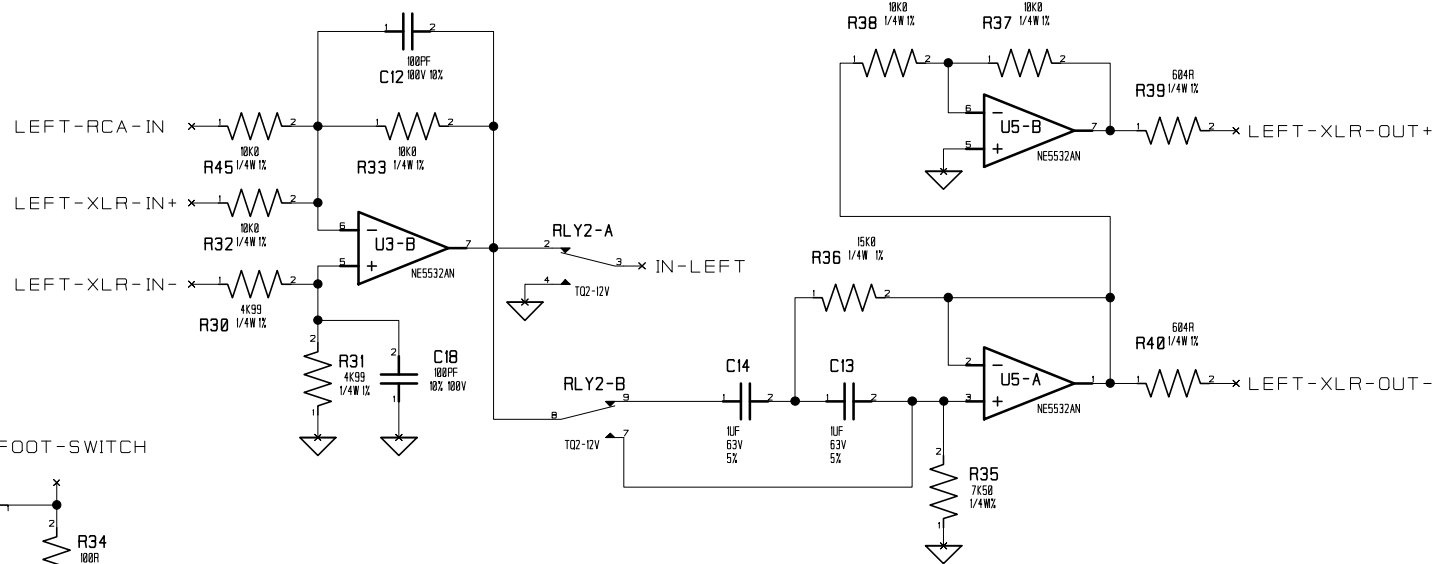
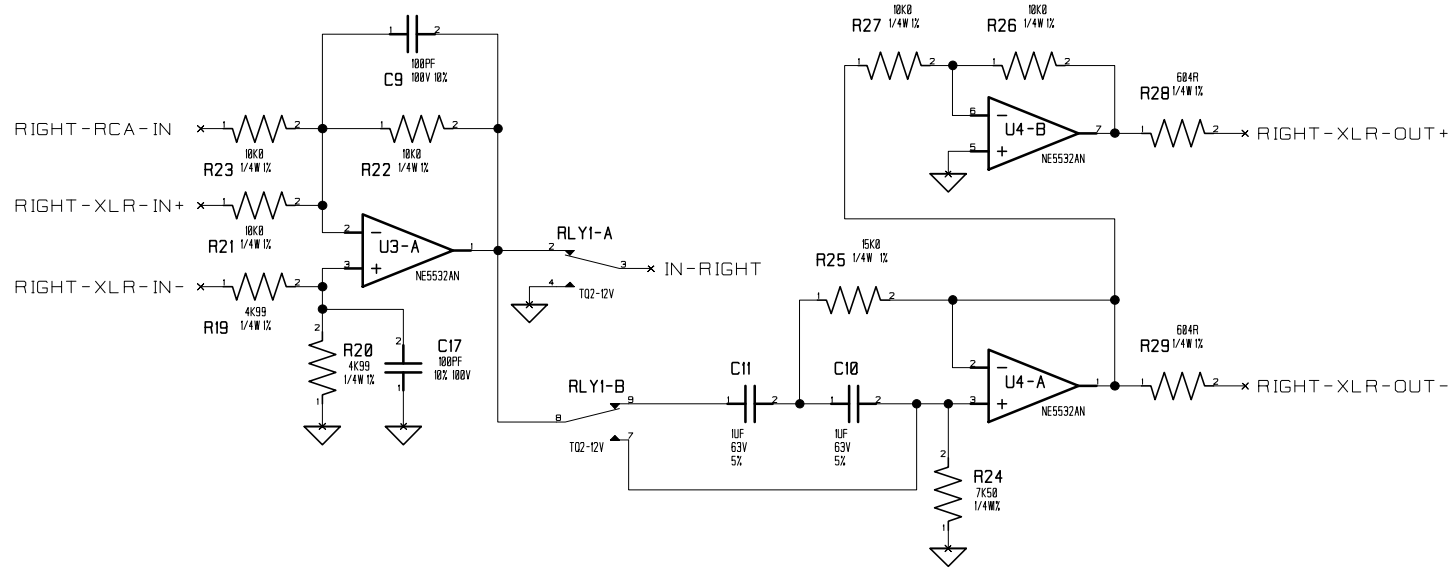
Copyright 2001 Indigo Manufacturing Inc., Markham, Ontario Canada

HC BASH 200W Power Supply

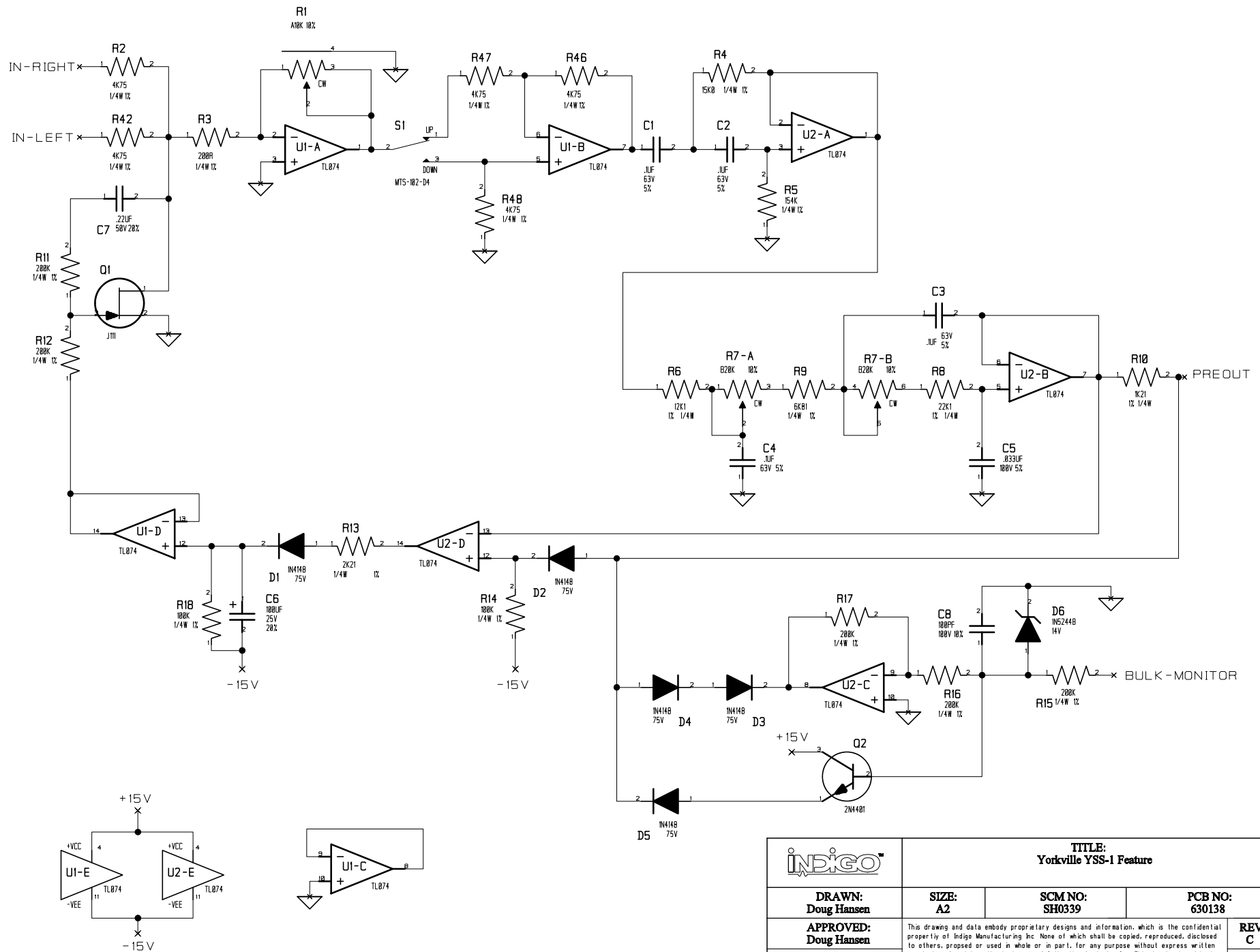
INDIGO part number: 600107	Revision: 1	Date: Feb. 1, 2003
-------------------------------	----------------	-----------------------



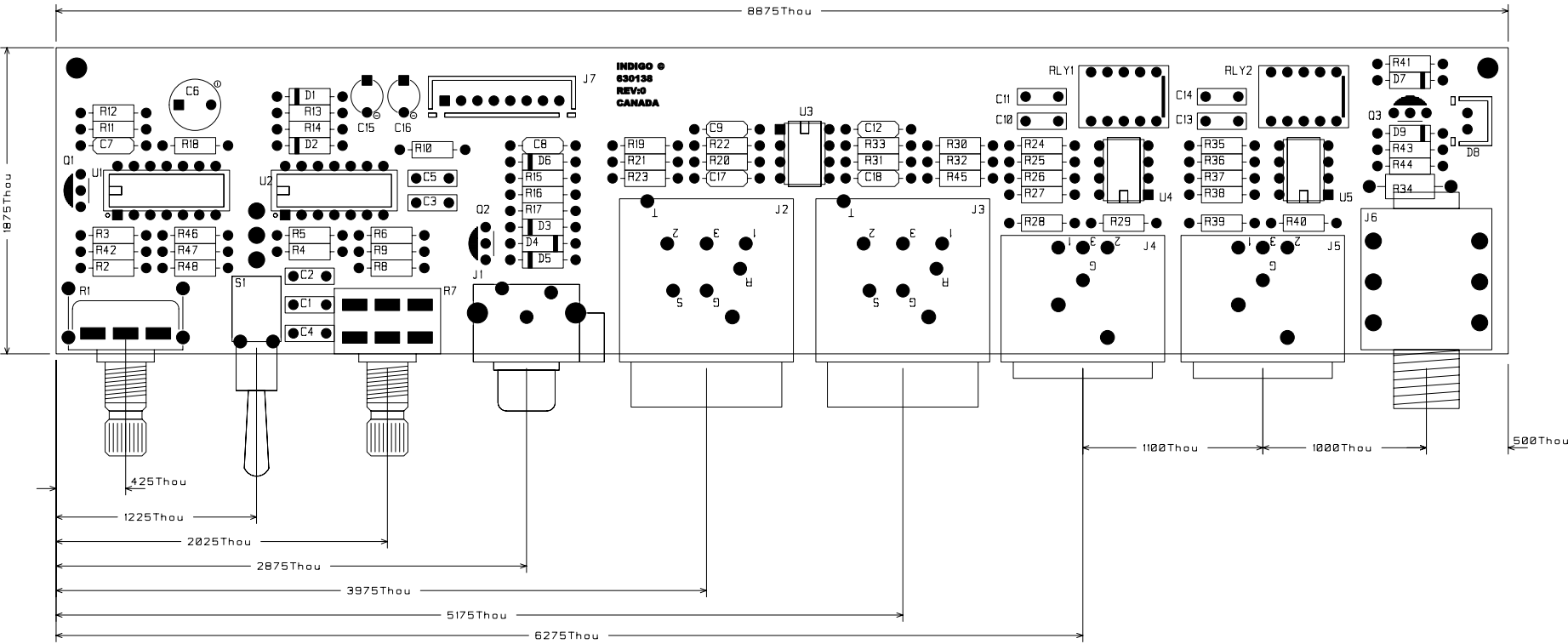
		TITLE: Yorkville YSS-1 Feature Top Level		
		DRAWN: Doug Hansen	SIZE: A2	SCM NO: SH0339
APPROVED: Doug Hansen		<small>This drawing and data embody proprietary designs and information, which is the confidential property of Indigo Manufacturing Inc. None of which shall be copied, reproduced, disclosed to others, propped or used in whole or in part, for any purpose without express written permission of a duly authorized agent of Indigo Manufacturing Inc. This drawing is subject to recall by Indigo Manufacturing at any time. It is being submitted in the confidence, and patent rights are reserved by Indigo Manufacturing Inc.</small>		REV: C
DATE: 16/10/2002				SHEET: 1 of 1



		TITLE: Yorkville YSS-1 Feature	
		DRAWN: Doug Hansen	SIZE: A2
APPROVED: Doug Hansen		This drawing and data embody proprietary designs and information, which is the confidential property of Indigo Manufacturing Inc. None of which shall be copied, reproduced, disclosed to others, prosed or used in whole or in part, for any purpose without express written permission of a duly authorized agen of Indigo Manufacturing Inc. This drawing is subject to recall by Indigo Manufacturing at any time. It is being submitted in the confidence, and patent rights are reserved by Indigo Manufacturing Inc.	
DATE: 16/10/2002		REV: C SHEET:	



INDIGO™			
TITLE: Yorkville YSS-1 Feature			
DRAWN: Doug Hansen	SIZE: A2	SCM NO: SH0339	PCB NO: 630138
APPROVED: Doug Hansen	This drawing and data embody proprietary designs and information, which is the confidential property of Indigo Manufacturing Inc. None of which shall be copied, reproduced, disclosed to others, prosed or used in whole or in part, for any purpose without express written permission of a duly authorized agen of Indigo Manufacturing Inc. This drawing is subject to recall by Indigo Manufacturing at any time. It is being submitted in the confidence, and patent rights are reserved by Indigo Manufacturing Inc.		REV: C
DATE: 16/10/2002			SHEET:



630138 - Yorkville Sound YSS-1

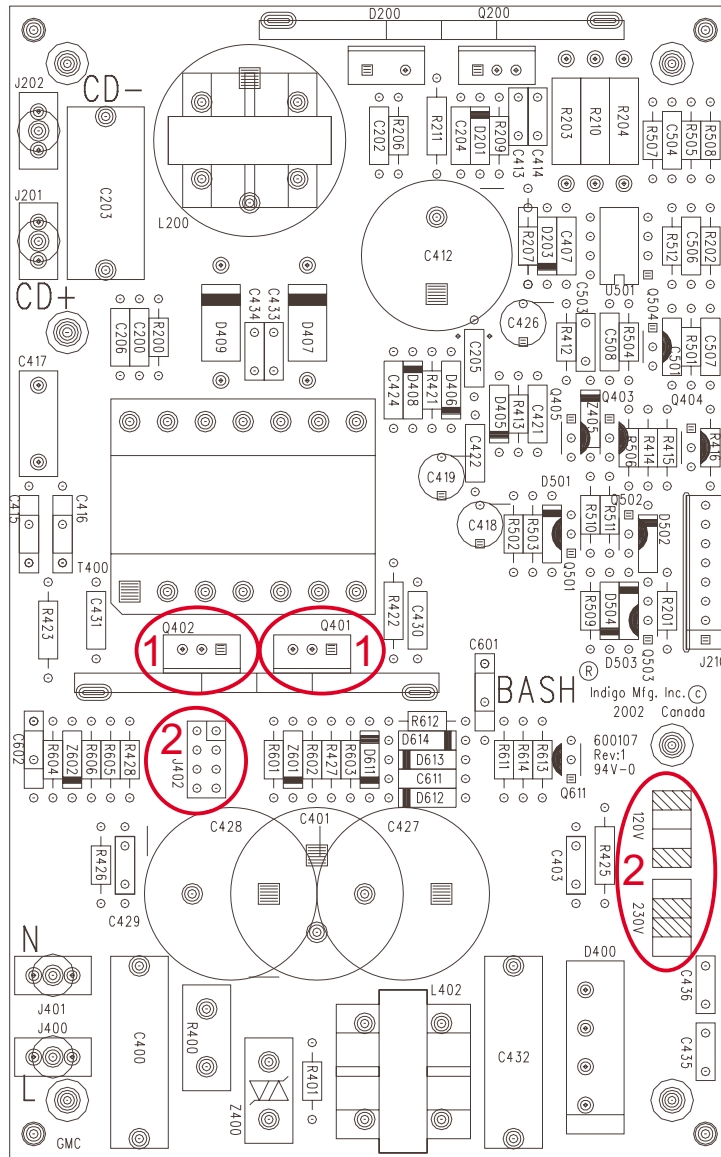
INDIGO MANUFACTURING INC.
165 STEELCASE ROAD
MARKHAM, ONTARIO
CANADA

Designed by: DOUG HANSEN
DATE: April-1-2003
REV: 0

200W PLATFORM

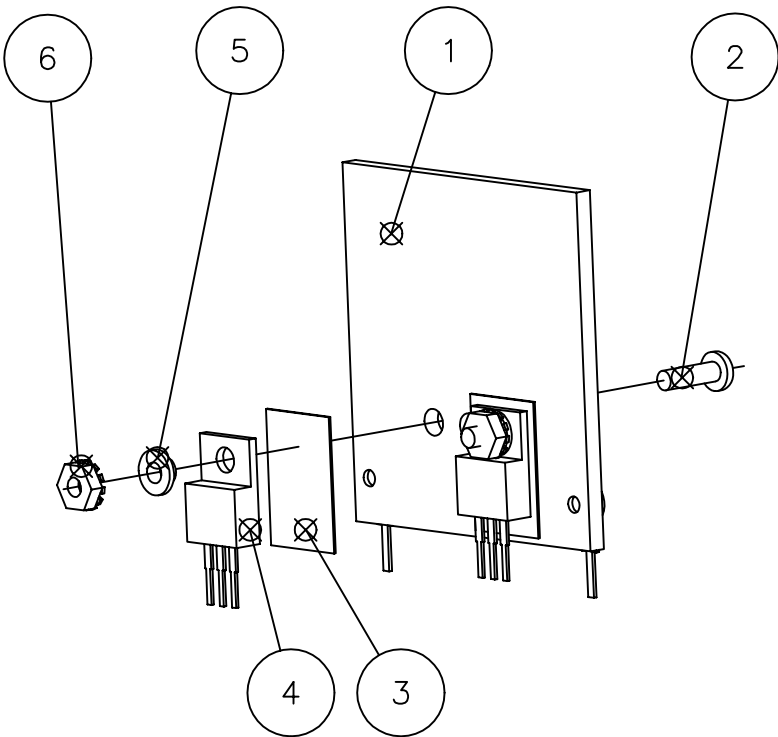
120V AC TO 230V AC

CONVERSION PROCEDURE



To convert the 200W platform from 120V to 230V follow the steps below:

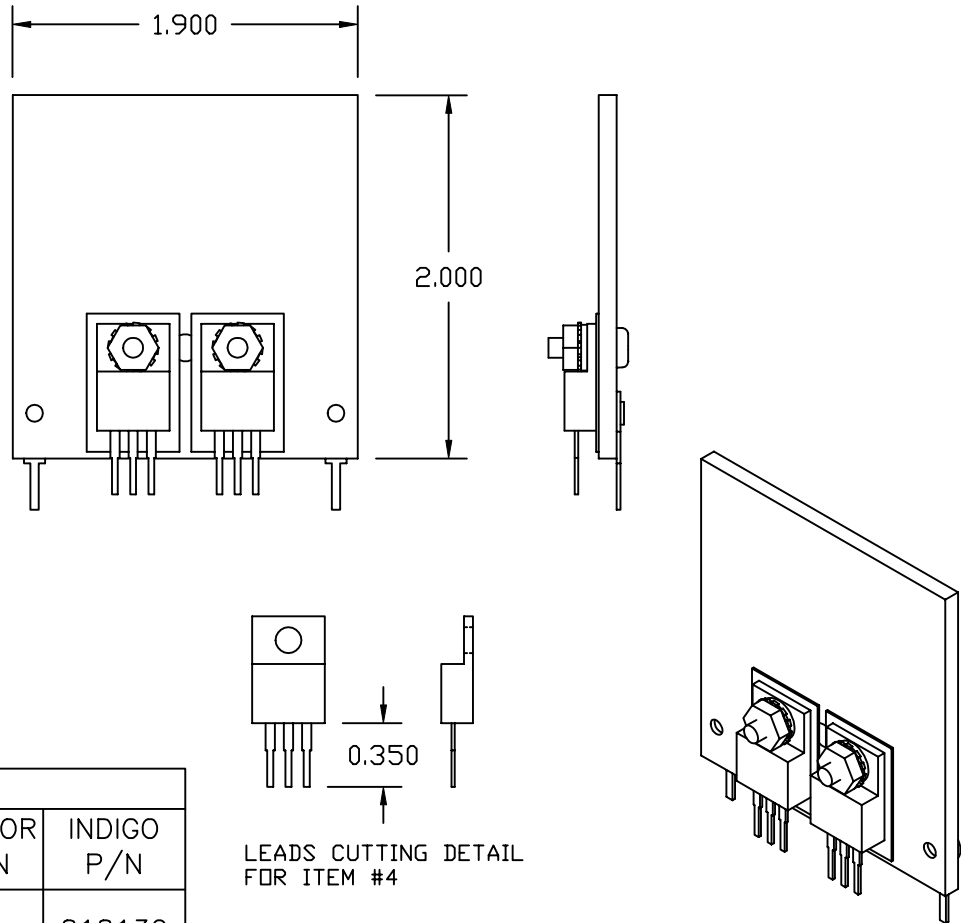
- 1)** On the power supply confirm Q401 and Q402 are isolated from the heatsink. Confirm there is SILPAD/CERAMIC in between the heatsink and Q401 and Q402 and there should also be nylon washers going through tab of devices.- See dwg. number S3S810132 on page 2 of 2.
- 2)** The 2 jumper shunts must be in the two inner locations.
- 3)** Change the fuse on the front panel of the unit from 2A to 1A.



NOTE: ITEM #4, THE MOSFET MUST BE A "International Rectifier" PART ONLY !

Parts list						
Item	Description	Drawing No.	Vendor	Cn.	VENDOR P/N	INDIGO P/N
1	SAM BASH HEATSINK-810132	S_810132		1		818132
2	SCREW, #4-40x3/8 PAN PHIL BLACK			2		HS0051
3	SILPAD 0.009" 0.3C/W T03P			2		MS0005
4	MOSFET IRF730 T0220		INTERNATIONAL RECTIFIER	2	IRF730	QM0030
5	SHOULDER WASHER 0.235 OD 0.115 ID			2		HW0014
6	NUT, HEX KEP #4-40 ZNP			2		HN0001

REVISION HISTORY			
REV	DESCRIPTION	DATE	APPROVED
0	INITIAL DRAWING	DEC.18/02	



LEADS CUTTING DETAIL FOR ITEM #4

<p>MANUFACTURING 165 STEELCASE RD. MARKHAM, ONT. L3R 1G1</p>	<p>THIS DRAWING AND DATA EMBODY PROPRIETARY DESIGNS AND INFORMATION, WHICH IS THE CONFIDENTIAL PROPERTY OF INDIGO MANUFACTURING INC. NONE OF WHICH SHALL BE COPIED, REPRODUCED, DISCLOSED TO OTHERS, PROPOSED OR USED IN WHOLE OR IN PART, WITHOUT EXPRESS WRITTEN PERMISSION OF A DULY AUTHORIZED AGENT OF INDIGO MANUFACTURING INC. THIS DRAWING IS SUBJECT TO RECALL BY INDIGO MANUFACTURING AT ANY TIME. IT IS BEING SUBMITTED IN CONFIDENCE, AND PATENT RIGHTS ARE RESERVED BY INDIGO MANUFACTURING INC.</p>		
	<p>TITLE SUB#3 SAM BASH HEATSINK-IRF730(2) WITH SILPAD</p>		
<p>SIZE TOLERANCE +/- 0.02 UNITS IN INCHES</p>	<p>INDIGO P/N S3S810132</p>	<p>DWG NO S3S810132.dwg</p>	<p>REV 0</p>
<p>SCALE 1:1</p>	<p>THIRD ANGLE PROJECTION</p>	<p>SHEET 1 OF 1</p>	

attached is a document showing necessary steps to convert the 120V to 230V. The references to addition of the isolating ceramics is only necessary if the ceramics are not there. I believe they should be on the YSS-1.