



# SERVICE MANUAL

TYPE: MP8D



WEB ACCESS: <http://www.yorkville.com>

## WORLD HEADQUARTERS CANADA

**Yorkville Sound**  
550 Granite Court  
Pickering, Ontario  
L1W-3Y8 CANADA

Voice: (905) 837-8481  
Fax: (905) 837-8746

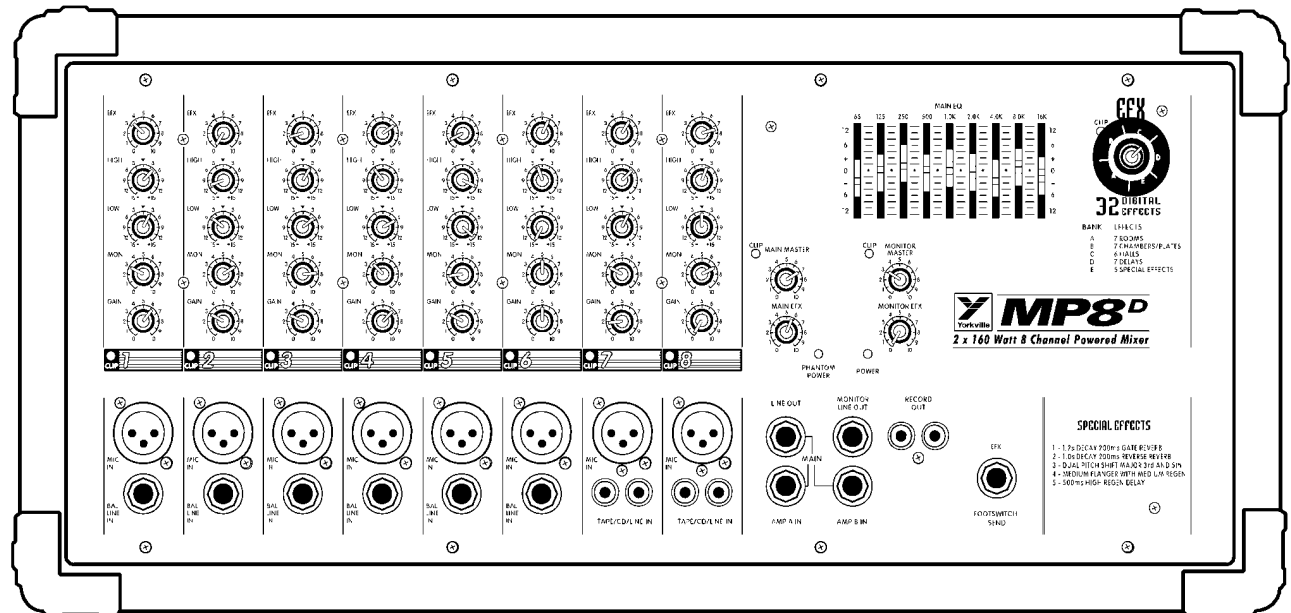
## U.S.A.

**Yorkville Sound Inc.**  
4625 Witmer Industrial Estate  
Niagara Falls, New York  
14305 USA

Voice: (716) 297-2920  
Fax: (716) 297-3689



**Quality and Innovation Since 1963**  
Printed in Canada



## IMPORTANT SAFETY INSTRUCTIONS



**INSTRUCTIONS PERTAINING TO A RISK OF FIRE, ELECTRIC SHOCK, OR INJURY TO PERSONS.**

**INSTRUCTIONS RELATIVES AU RISQUE DE FEU, CHOC ÉLECTRIQUE, OU BLESSURES AUX PERSONNES.**

### **CAUTION:**

**TO REDUCE THE RISK OF ELECTRIC SHOCK, DO NOT REMOVE COVER (OR BACK). NO USER SERVICEABLE PARTS INSIDE.**

**REFER SERVICING TO QUALIFIED SERVICE PERSONNEL.**

### **AVIS:**

**AFIN DE REDUIRE LES RISQUE DE CHOC ELECTRIQUE, N'ENLEVEZ PAS LE COUVERT (OU LE PANNEAU ARRIERE). NE CONTIENT AUCUNE PIECE REPARABLE PAR L'UTILISATEUR.**

**CONSULTEZ UN TECHNICIEN QUALIFIE POUR L'ENTRETIEN.**

### **Read Instructions:**

The *Owner's Manual* should be read and understood before operation of your unit. Please, save these instructions for future reference.

### **Packaging:**

Keep the box and packaging materials, in case the unit needs to be returned for service.

### **Warning:**

When using electric products, basic precautions should always be followed, including the following:

#### **Power Sources:**

Your unit should be connected to a power source only of the voltage specified in the owners manual or as marked on the unit. This unit has a polarized plug. Do not use with an extension cord or receptacle unless the plug can be fully inserted. Precautions should be taken so that the grounding scheme on the unit is not defeated.

#### **Hazards:**

Do not place this product on an unstable cart, stand, tripod, bracket or table. The product may fall, causing serious personal injury and serious damage to the product. Use only with cart, stand, tripod, bracket, or table recommended by the manufacturer or sold with the product. Follow the manufacturer's instructions when installing the product and use mounting accessories recommended by the manufacturer.

The apparatus should not be exposed to dripping or splashing water; no objects filled with liquids should be placed on the apparatus.

Terminals marked with the "lightning bolt" are hazardous live; the external wiring connected to these terminals require installation by an instructed person or the use of ready made leads or cords.

No naked flame sources, such as lighted candles, should be placed on the apparatus.

#### **Power Cord:**

The AC supply cord should be routed so that it is unlikely that it will be damaged. If the AC supply cord is damaged **DO NOT OPERATE THE UNIT.**

#### **Service:**

The unit should be serviced only by qualified service personnel.

### **Veillez lire le manuel:**

Il contient des informations qui devraient étre comprises avant l'opération de votre appareil. Conservez S.V.P. ces instructions pour consultations ultérieures

### **Emballage:**

Conservez la boîte au cas où l'appareil devait étre retourner pour réparation.

### **Attention:**

Lors de l'utilisation de produits électrique, assurez-vous d'adhérer à des précautions de bases incluant celle qui suivent:

#### **Alimentation:**

L'appareil ne doit étre branché qu'à une source d'alimentation correspondant au voltage spécifié dans le manuel ou tel qu'indiqué sur l'appareil. Cet appareil est équipé d'une prise d'alimentation polarisée. Ne pas utiliser cet appareil avec un cordon de raccordement à moins qu'il soit possible d'insérer complètement les trois lames. Des précautions doivent étre prises afin d'éviter que le système de mise à la terre de l'appareil ne soit désengagé.

#### **Risque:**

Ne pas placer cet appareil sur un chariot, un support, un trépied ou une table instables. L'appareil pourrait tomber et blesser quelqu'un ou subir des dommages importants. Utiliser seulement un chariot, un support, un trépied ou une table recommandés par le fabricant ou vendus avec le produit. Suivre les instructions du fabricant pour installer l'appareil et utiliser les accessoires recommandés par le fabricant.

Il convient de ne pas placer sur l'appareil de sources de flammes nues, telles que des bougies allumées.

L'appareil ne doit pas étre exposé à des égouttements d'eau ou des éclaboussures et qu'aucun objet rempli de liquide tel que des vases ne doit étre placé sur l'appareil.

Les dispositifs marqués d'une symbole "d'éclair" sont des parties dangereuses au toucher et que les câblages extérieurs connectés à ces dispositifs de connection extérieure doivent étre effectués par un opérateur formé ou en utilisant des cordons déjà préparés.

#### **Cordon d'alimentation:**

Évitez d'endommager le cordon d'alimentation. **N'UTILISEZ PAS L'APPAREIL** si le cordon d'alimentation est endommagé.

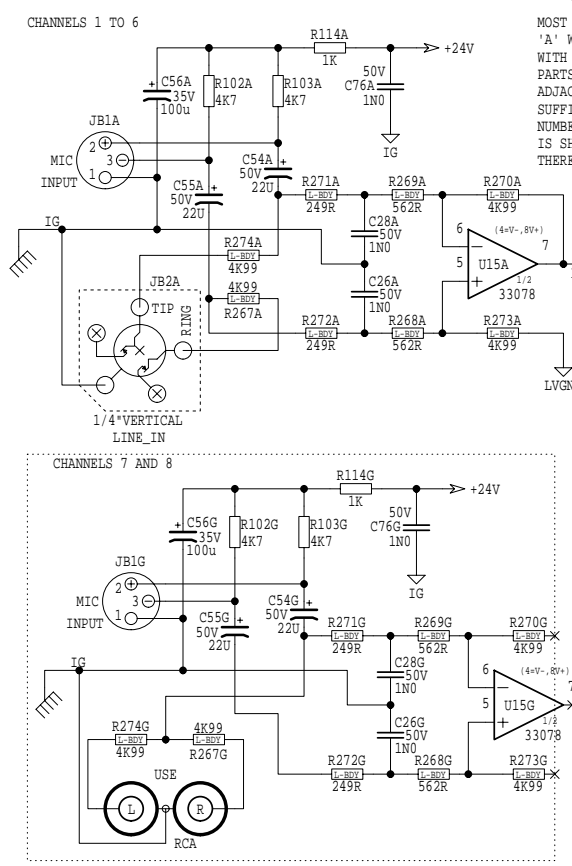
#### **Service:**

Consultez un technicien qualifié pour l'entretien de votre appareil.



M1109.PCB_POT LIST				
#	REF	FUNCTION	PART#	AS OF
1	P13A-H	GAIN	#4567	#8392
2	P14A-H	MONITOR	#4567	#8394
3	P12A-H	BASS	#4568	#8393
4	P11A-H	TREBLE	#4566	#8393
5	P15A-H	EFFECTS	#4566	#8395
6	P7	MAIN	#4566	#8392
7	P8	MONITOR	#4566	#8394
8	P9	EFX-MAIN	#4568	#8395
9	P10	EFX-MONITOR	#4568	#8395
10	P11	EFFECTS	#4583	#8397
11	P13-P21	EQ	#3999	-
12	D		N	K
13	D		N	K
14	D		N	K
15	D		N	K
16	D		N	K
17	D		N	K
18	D		N	K
19	D		N	K
20	D		N	K

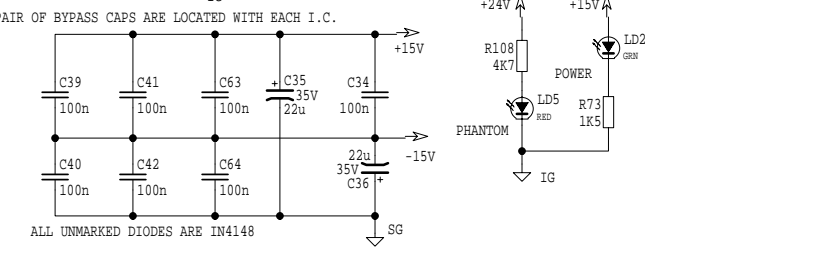
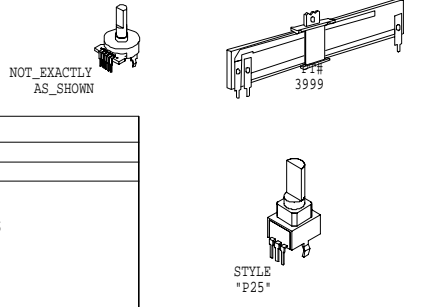
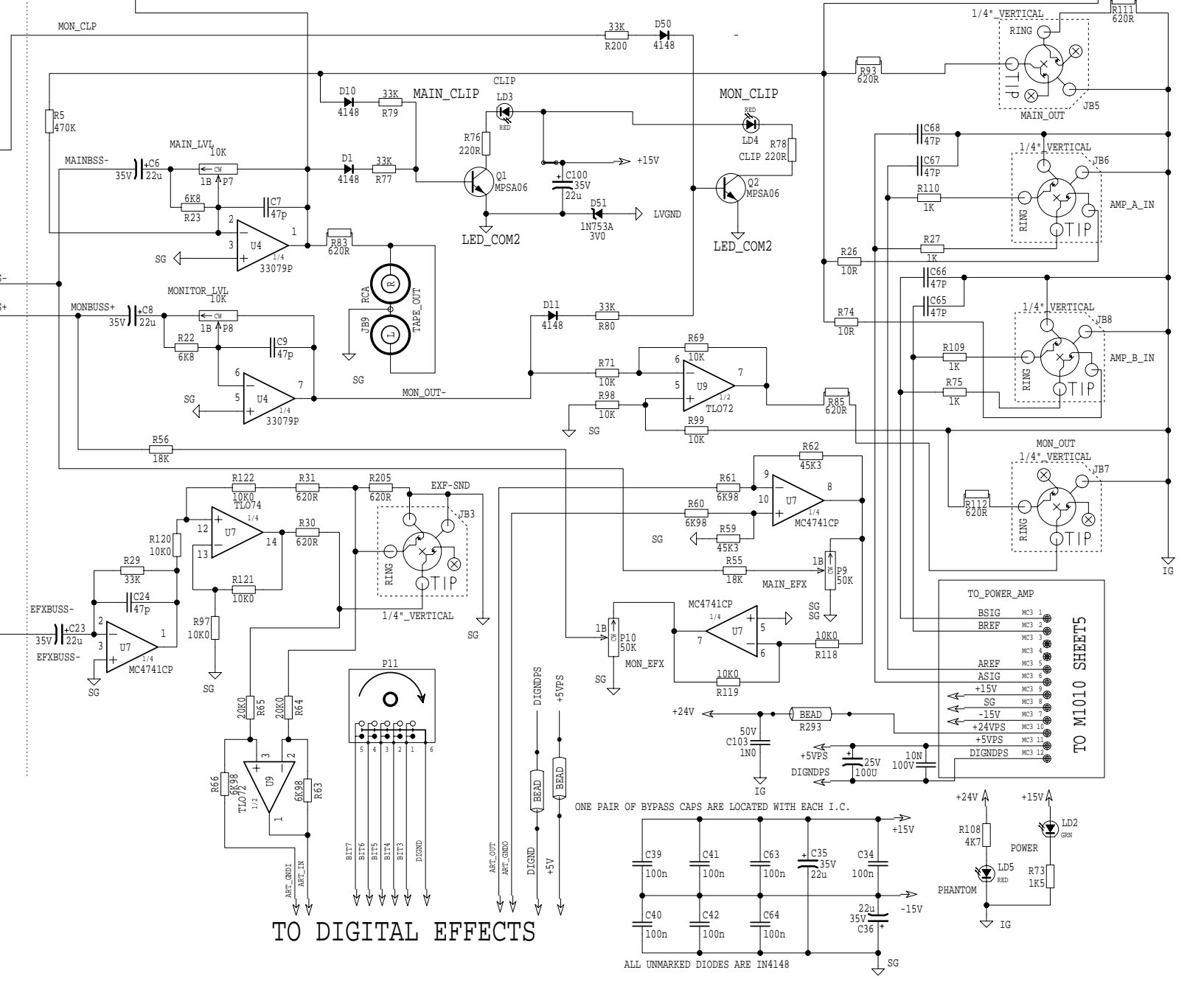
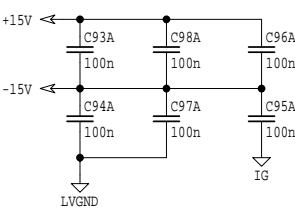
NOTE - REFERENCE DESIGNATORS MOST PARTS IN CHANNEL 1 WITH SUFFIX 'A' WILL EXIST IN CHANNELS 2-6 WITH SUFFIXES 'B'-'F'. ANY PARTS WHICH ARE SHARED BY ADJACENT CHANNELS WILL HAVE THE SUFFIX BELONGING TO THE LOWER NUMBERED CHANNEL. I.E. IF U12A IS SHARED BY CHANNELS '1' AND '2', THERE WILL NOT BE A U12B.



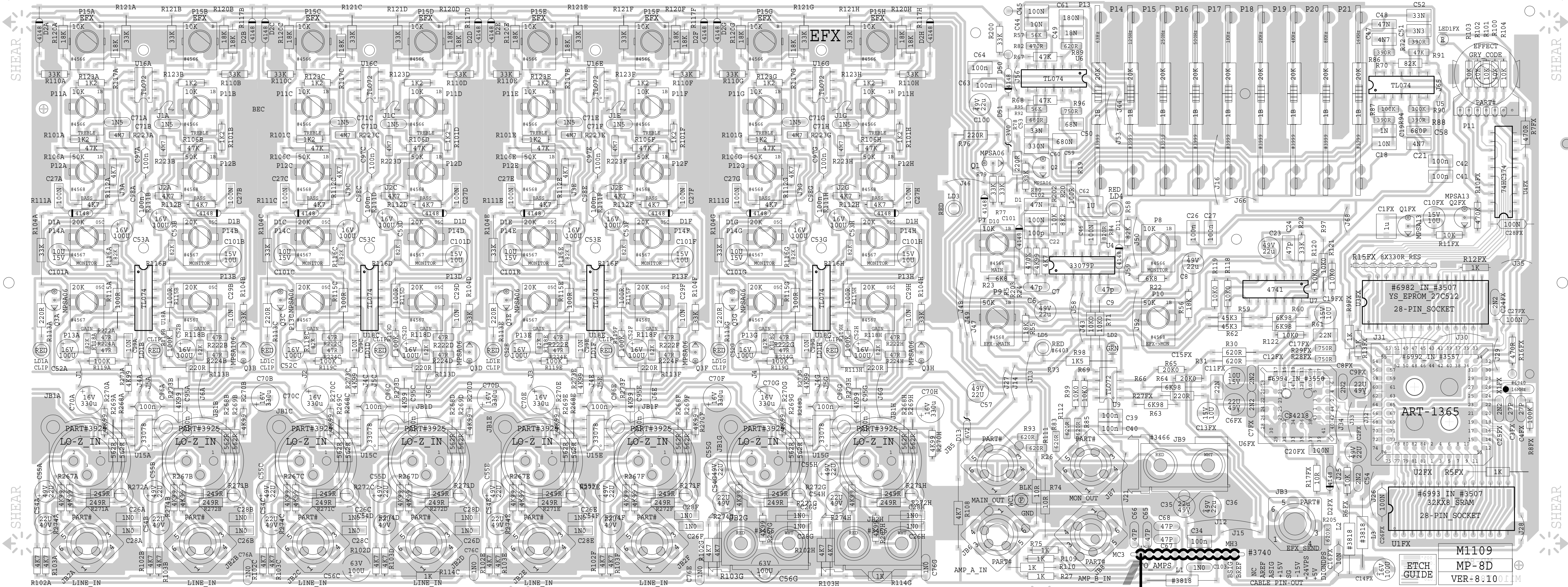
# INPUTS

M1109.SCH_DATABASE_HISTORY			MODEL(S) :-		
#	DATE	DESCRIPTION OF CHANGE	#	DATE	DESCRIPTION OF CHANGE
1	96/09/04	1.00 NEW	1	JUN/10/02	1.70 PCH6309_C26A-G,C28A-G,C76A-G
2	96/09/17	1.10 CUT GAIN TO LIMIT TO 6V	2	JUN/27/02	1.80 C103 IN5-1N0
3	96/09/26	1.20 ADDED R205-E20R TO EFX_SND JACK	3	OCT/27/03	1.90 PCH6642_R119A 1K->100K
4	97/01/09	1.11 CHG D51, 6V2->3V0 DEL R115, R206	4		2.00 PCH6649_Q1,Q2,Q3A_MPSA13-MPSA06
5	97/01/09	1.20 CHANGES FOR NOISE REDUCTION_PER_DX	5		
6	MAR/4/97	1.30 PCH5318_ADD_1K_(R119A)	6		
7	APR/09/98	1.40 PCH5683_U4_4741->33079_U5,U6,U18A	7		
8			8		
9	JAN/2000	1.50 ADD_POT_LIST	9		
10	OCT/24/00	1.60 PCH_C70A_330u-25V->330u-16V	10		

YORKVILLE	DATE: OCT/27/2003	MODELS: BOX-MIXER MP-8D	SCH ISSUE: 1.90
	NAME: M1009.SCH	PCBH#: M1109	TITLE: MIXER/EQ/MASTER



SOLDERSIDE M1109-8.10



BLANK SIZE=18.375"X7.750"

### PRODUCTION NOTES

- AUTO-INSERTION BOARD-ASSEMBLY
1. INSTALL U1FX,U2FX,U4FX,U6FX IN SOCKETS AFTER WAVE SOLDERING. USE A GROUND STRAP!!!
  2. IF THE 'X1FX' CRYSTAL IS THE TALL (1/2") PACKAGE LEAN IT OVER TOWARD THE ART CHIP.
  3. BEND THE LEADS OF 1/4" JACK JB2F ONLY.
  4. INSTALL EQ POT JIG BEFORE WAVE SOLDERING AND LEAVE IN PLACE FOR WIRING.
  5. THE HOLE BETWEEN 'P2F' AND 'P2G' MAY BE USED TO SUPPORT THE BOARD WHILE WAVE SOLDERING.
  6. SOLDER WITH THE JIG FOR 9MM POTS AND THE JACKS.
  7. PUT A NUT ON JB2F TO HOLD THE JIG DOWN FOR SOLDERING
  8. SHEAR LEFT AND RIGHT SIDES BEFORE THE TOP AND BOTTOM SO THE BOARD WILL FIT INTO THE SHEAR.
  9. HEIGHT OF C70A-H 330u 16V MUST NOT EXCEED 8 CM

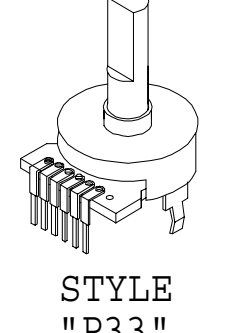
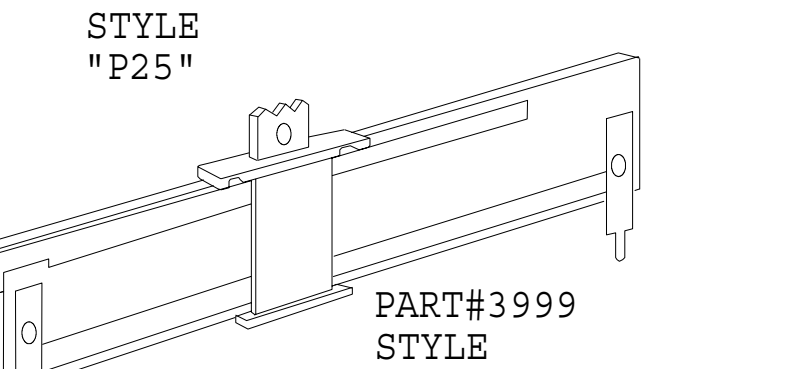
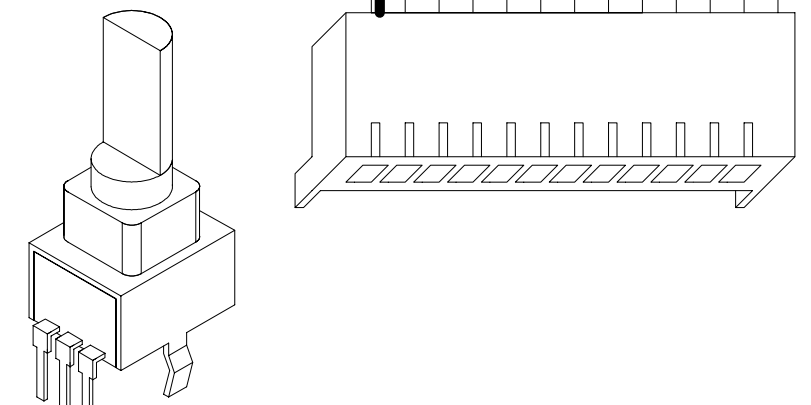
### M1109.PCB DATABASE HISTORY

#	DATE	VER#	DESCRIPTION OF CHANGE
1	96/09/17	1.0P0	FIRST PROTO
2	96/09/26	1.0P1	C16FX,L2,L3 TOO CLOSE;C62-->POLYCAP
3			C62 TOO CLOSE TO POT AND R19
4			ALL CAPS IN POT AREA SHORT VERSIONS
5			USE OVAL SYMBOL FOR C9C7
6			ALL 2N2 CAPS -->100V #5835
7			R20I,R78,R113A,C,E,G-->1/2"
8			FIX #3818 SYMBOL
9			ADD 620R R205 TO FXSEND_RING_SWITCH
10	97/01/30	2.00	FLIPPED RCA JACKS
11	FEB/12/97		PC#5310 C1FX 680N-->1u
12	MAR/4/97	3.00	PC#5295 O2FX MPSA06->MPSA13
13			PC#5307 R55,R56,R120A-H,R117A-H
14			10K-->18K PC#5310 C1FX 680N-->1u
15			PC#5318 1K ADDED FROM + C70A-F->GND
16			PC#5327 O1FX MPSA06->MPSA13
17	APR/22/97	4.00	PC#XXXX ADD BYPASS CAPS U1FX,U3FX,U4FX
18			
19	APR/09/98	4.01	PC#5683 U4 4741->33079P U6,U5,U18A,U18C,U18E,U18G 4741->TL074
20			
21	MAY/10/99	4.20	PC#5988 XLR #3454->#3925
22	AUG/24/99	4.21	PC#6036 UPDATE LD2,LED1FX_TO_AUTO-I
23	NOV/01/99	5.00	PC#6136 MOVE R5FX

#	DATE	VER#	DESCRIPTION OF CHANGE
24	MAR/30/00	5.10	PC#6210 U3FX #6981->#6982
25	OCT/16/00	5.20	PC#6292 R16FX 680R->470R C5FX DELET
26	NOV/01/00	6.00	PC#6337 C70A-H 330u 25V->330u 16V
27	FEB/07/01	6.10	PC#6317 UPDATE LED COLOUR MOVE_VCD_HOLE PC#6318 ADD ROUTING
28			REPLACE ROUTING WITH ZIPPER
29	NOV/15/01	6.20	PC#6309 C26A-G,C28A-G,C76A-G,C103 1N5->1N0
30	JUN/10/02	6.30	
31			
32	JUN/27/02	6.40	PC#6542 R119A-H 1K->100K
33	JUL/08/02	7.00	PC#6394 MOVE C54 C-H,C55 C-H
34	SEP/16/02	8.00	INCREASE SPACING BETWEEN PADS AND POLYGONS ON SLID LAYER-NO PRTS MOVED
35			
36	OCT/28/03	8.10	PC#6649 Q3A-H,Q1,Q2 MPSA13->MPSA06
37	NOV/23/04		PC#6771 #3571->3507 SKT FOR #6993 SRAM
38			
39			
40			
41			
42			
43			
44			
45			
46			
47			
48			
49			
50			

### M1109.PCB POT LIST

MODEL (S) :-	MP8D			
REF	FUNCTION	PART#	KNOB	AS OF
P13A-H	GAIN	#4567	#8392	JAN/2000
P14A-H	MONITOR	#4567	#8394	N
P12A-H	BASS	#4568	#8393	N
P11A-H	TREBLE	#4566	#8393	N
P15A-H	EFFECTS	#4566	#8395	N
P7	MAIN	#4566	#8392	N
P9	EFX-MAIN	#4568	#8395	N
P8	MONITOR	#4566	#8394	N
P10	EFX-MONITOR	#4568	#8395	N
P11	EFFECTS	#4568	#8397	N
P13-P21	EQ	#3999	-	N
			P	N

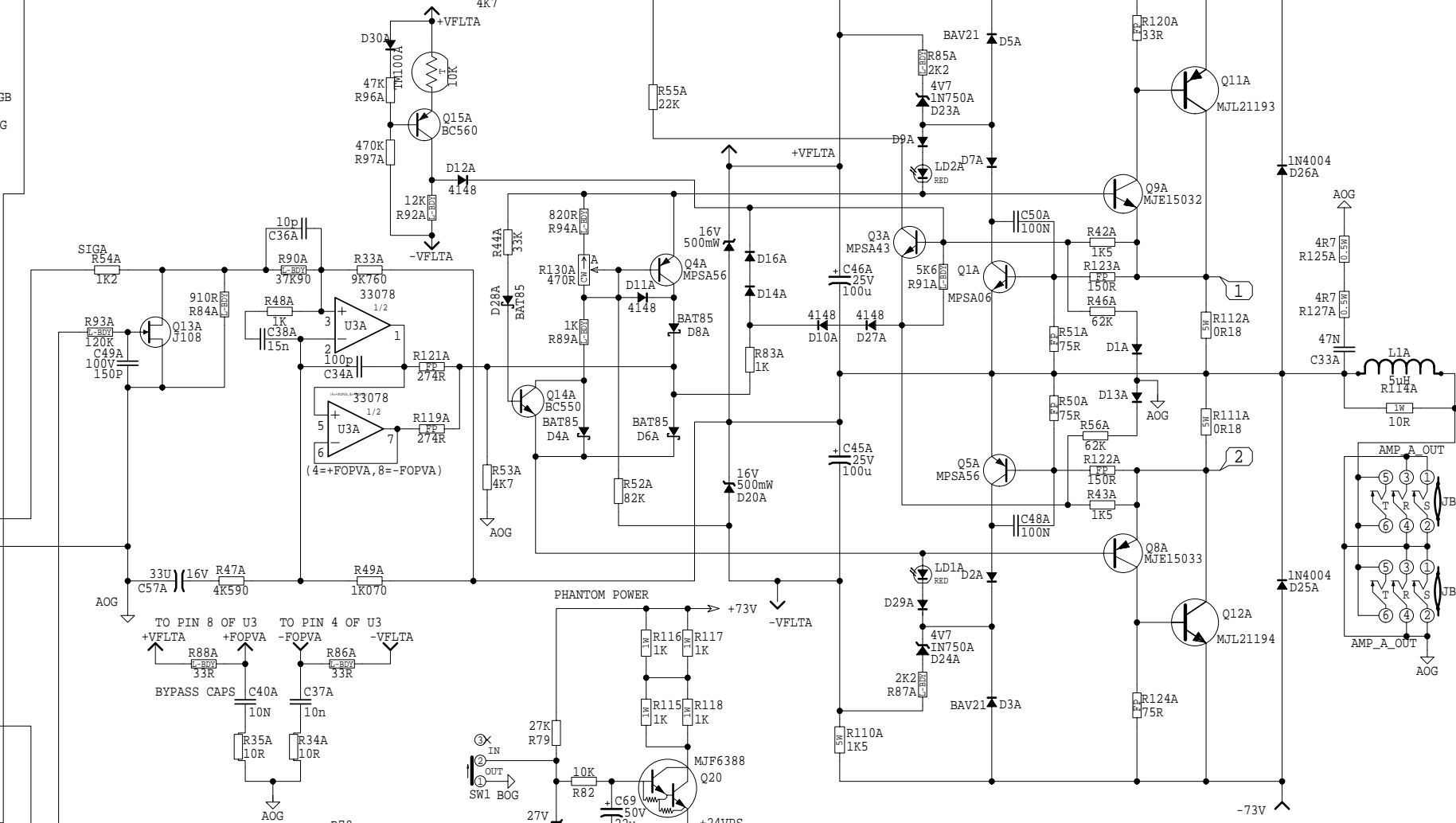
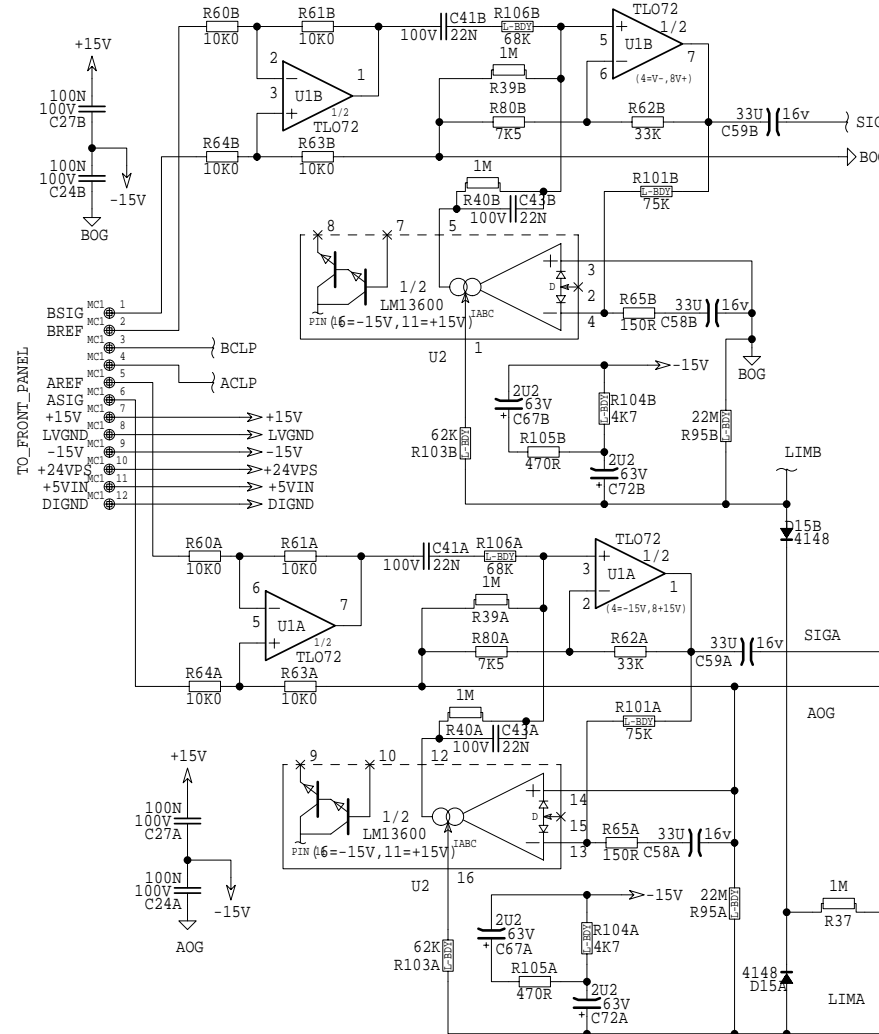


M1109  
MP-8D  
VER-8.10

ETCH GUIDE

# POWER AMP

## POWER SUPPLY AND LIMITERS



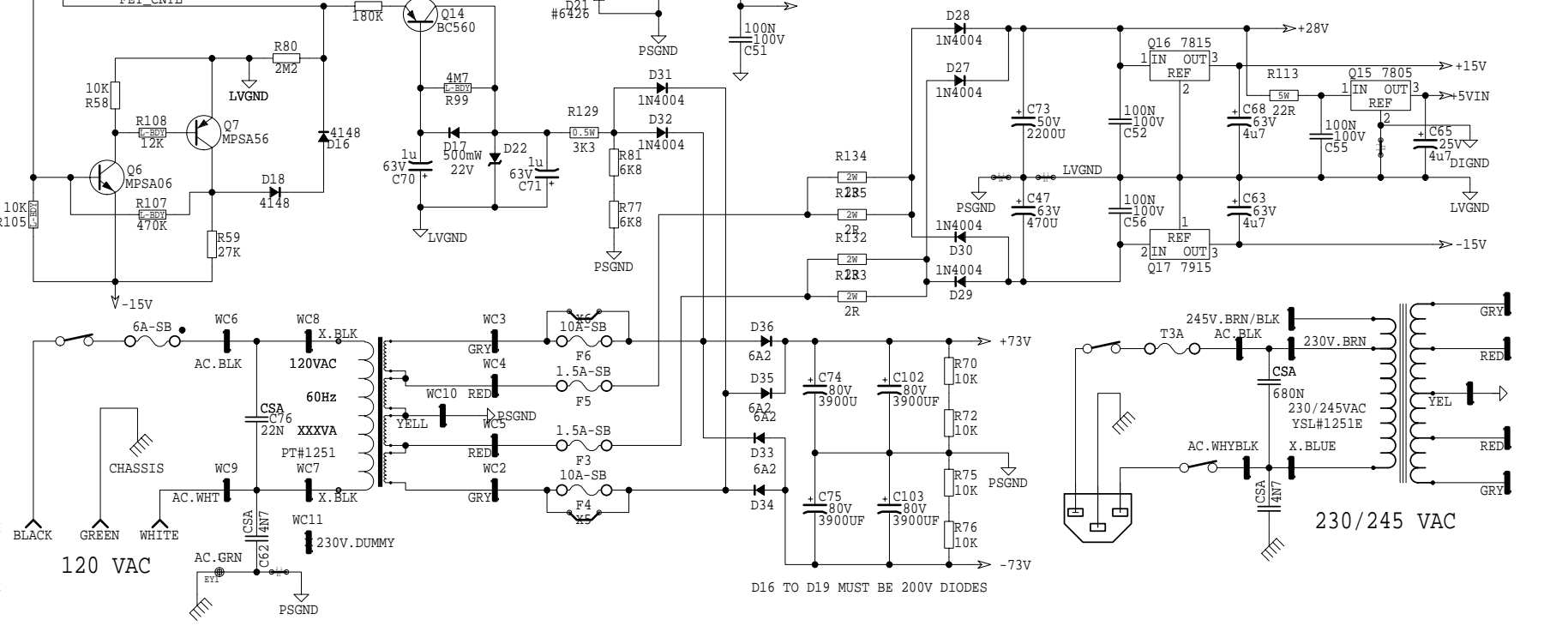
M1110.SCH DATABASE HISTORY

#	DATE	VER#	DESCRIPTION OF CHANGE
1	FEB/24/97	1.10	PC#5317 ADD R80 2M2
2	SEP/10/97	1.20	PC#5228 R105 8K2->10K
3	FEB/02/99	1.30	PC#5456 ADD R105A/B 470R
4	MAR/12/99	1.40	XMR WIRE COLOURS UPDATED
5			PC#5890 TMI00 100K->10K_ADD_R96A
6			R97A, D30A, Q15A
7			
8			
9			
10			

M1110.SCH DATABASE HISTORY

#	DATE	VER#	DESCRIPTION OF CHANGE
1	AUG/25/97	1.10	PC#5454 U3A TL072->MC33078
2	SEP/10/97	1.20	PC#5456 ADD D29A AT LD1A
3	SEP/29/97	1.30	PC#5456 ADD D29A AT LD1A
4			ZENER->4148 ADD 4148X2 D14A/D16A
5	APR/09/98	1.40	PC#5682 U3A TL072->33078
6			
7			
8			
9			
10			

YORKVILLE	DATE: FEB/02/99	MODELS: MP-10DS/8D	SHEET 6 OF 7	SCH ISSUE: 1.30
YORKVILLE	NAME: M1110-PS	PCB#&VER: M1116	TITLE: LIMITER_&_PS	
YORKVILLE	DATE: APR/09/98	MODELS: MP-10DS, MP-8D	SHEET 7 OF 7	SCH ISSUE: 1.40
YORKVILLE	NAME: M1110-PA	PCB#&VER: M1110	TITLE: POWER_AMP	

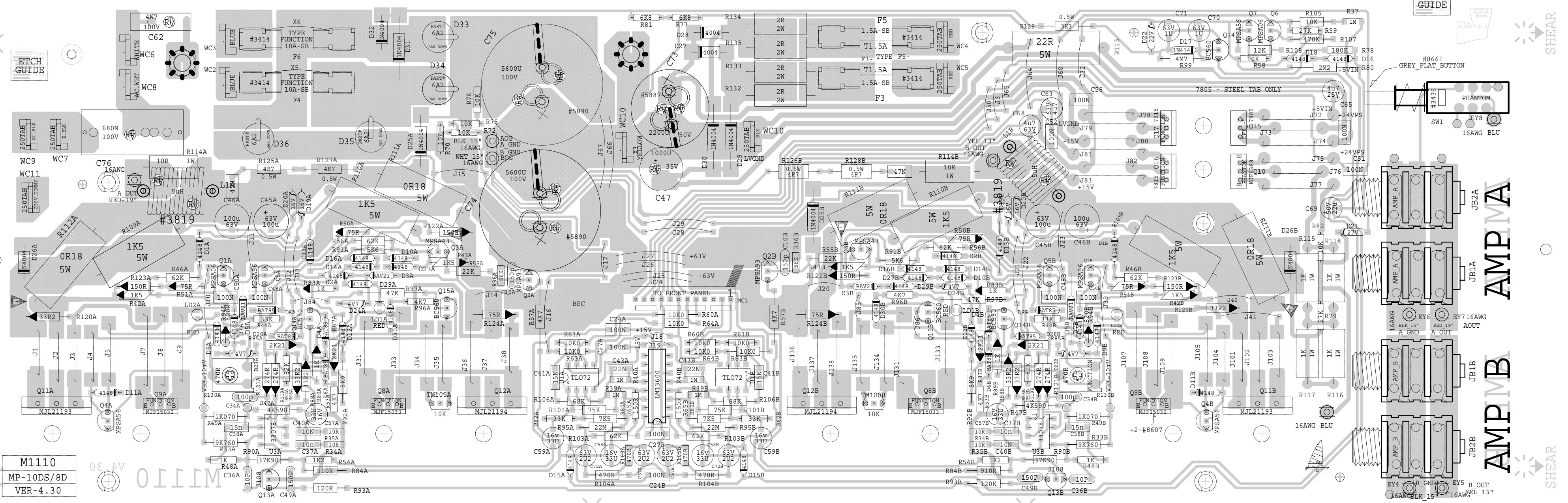


120 VAC

230/245 VAC

D16 TO D19 MUST BE 200V DIODES

2oz. COPPER



ASSEMBLY M1110-4.30  
PCB MECH M1110-4.30

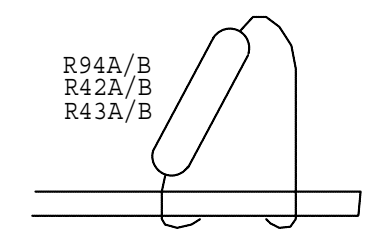
BLANK SIZE=18.500"X6.625"  
"253.0X"002.815"ENR-16.052

M1110.PCB DATABASE HISTORY

#	DATE	VER#	DESCRIPTION OF CHANGE	#	DATE	VER#	DESCRIPTION OF CHANGE
1	96/12/17	1.0P2	FIRST PROTO NEW DESIGN	24		V	N
2	97/01/25	1.0P3	PROTO #2-CHANGES TO VBE AND CURRENT LIMIT.ADD Q14,D27,D28	25		V	N
3				26		V	N
4	FEB/24/97	2.00	PC#5317 ADDED 2M2 R80 AT D16-LVNGND	27		V	N
5				28		V	N
6				29		V	N
7				30		V	N
8				31		V	N
9	AUG/25/97	2.10	PC#5325 MOVE C62/REPLACE_SPCRSNAP.P	32		V	N
10	SEP/09/97	3.00	PC#5324 REMOVE WC1	33		V	N
11	SEP/29/97	3.00	PC#5328 R105 8K2->10K	34		V	N
12				35		V	N
13	APR/09/98	3.01	PC#5454 U3A/B TLO72->MC33078	36		V	N
14	JUN/16/98	3.20	ROUTING FOR HEATSINKS CHANGED	37		V	N
15	MAR/22/99	4.00	PC#5890 TM1U0 100K->10K ADD Q15A/B	38		V	N
16				39		V	N
17	MAR/25/99		D30A/B R96A/B R97A/B J84,85,86	40		V	N
18	MAR/26/01	4.10	PC#5951 C47 470u->1000u	41		V	N
19				42		V	N
20	DEC/06/01	4.20	PC#6364 R94A/B, R83A/B, R89A, B, R42A/B	43		V	N
21				44		V	N
22				45		V	N
23	JUN/25/02	4.30	PC#6474 C41A/B 22N->15N	46		V	N
				47		V	N
				48		V	N
				49		V	N
				50		V	N

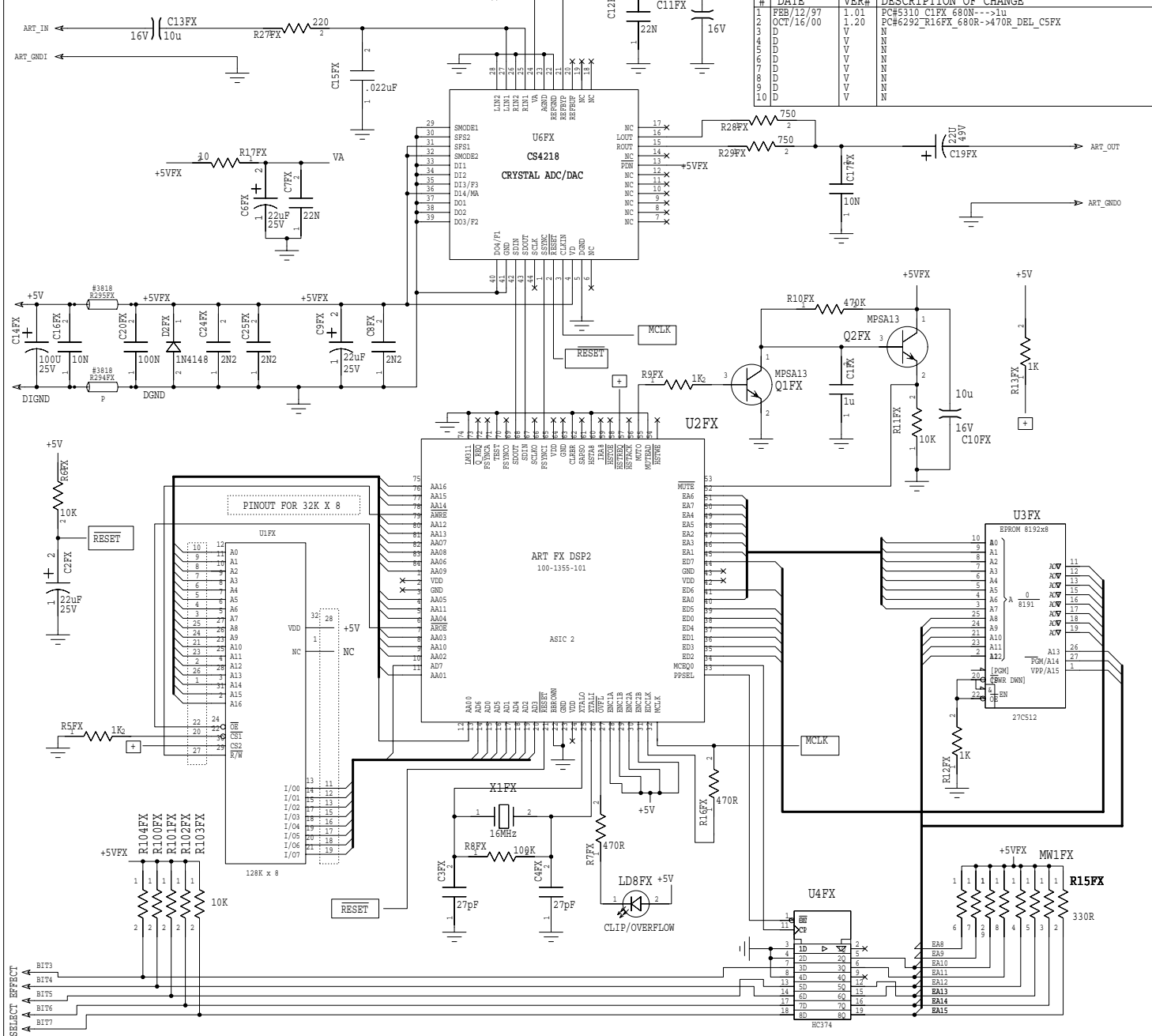
PRODUCTION NOTES

- AUTO-INSERTION
- BOARD-ASSEMBLY
- 1.MOUNT MJE15032 AND '33 TRANSISTORS WITH #8607 SPACERS ON TWO LEADS Q8A,Q8B,Q9A,Q9B
- 2.Q15 7805 REGULATOR MUST BE STEEL TAB VERSION ONLY.
- 3.NO FUSE HOLDERS SHOULD BE STUFFED. F3&5 ARE REPLACED WITH AUTO-INSERT FUSES, F4&6 WITH JUMPERS.
- 4 R94A/B, R42A/B, R43A/B HAND INSERTED AS SHOWN



### M1109.SCH DATABASE HISTORY

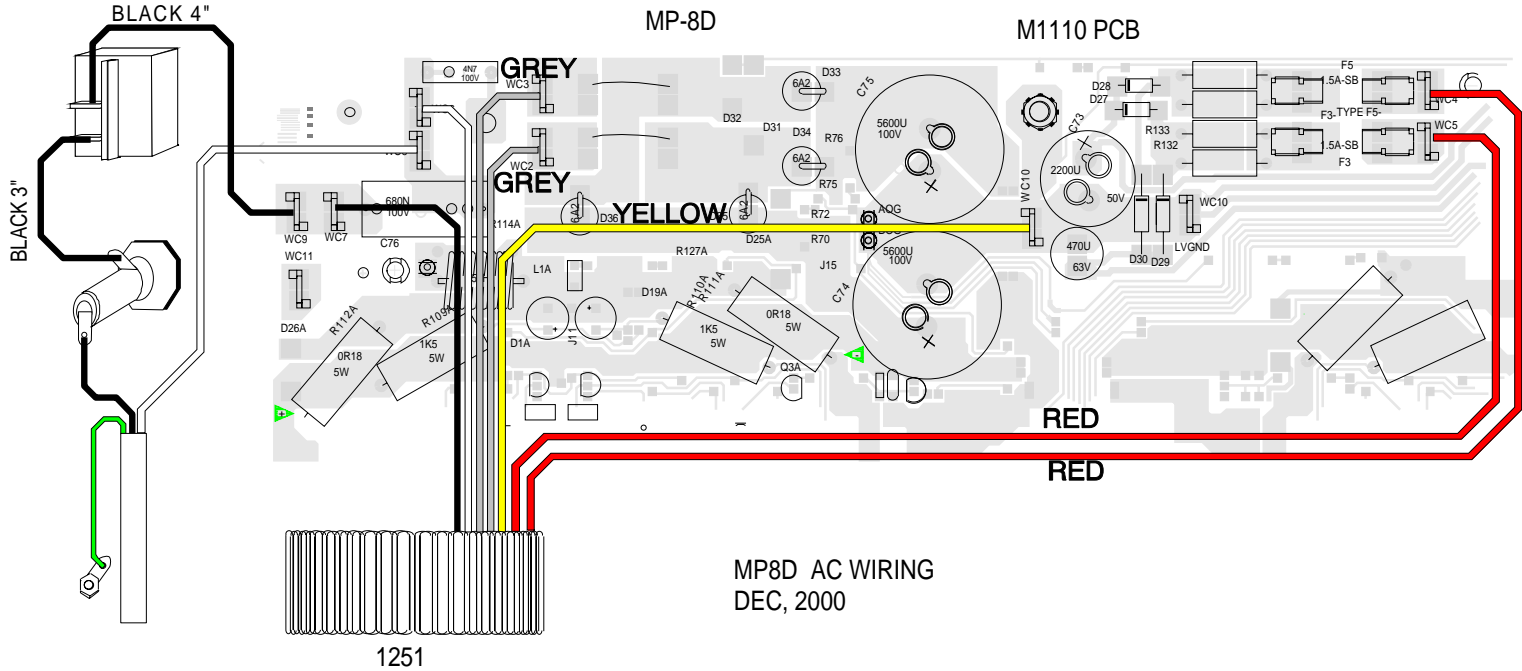
MODEL(S) :-	MP-8D		
#	DATE	VER#	DESCRIPTION OF CHANGE
1	FEB/12/97	1.01	PC#5310 C1FX 680N-->1u
2	OCT/16/00	1.20	PC#6292_R16FX_680R->470R_DEL_C5FX
3			
4			
5			
6			
7			
8			
9			
10			

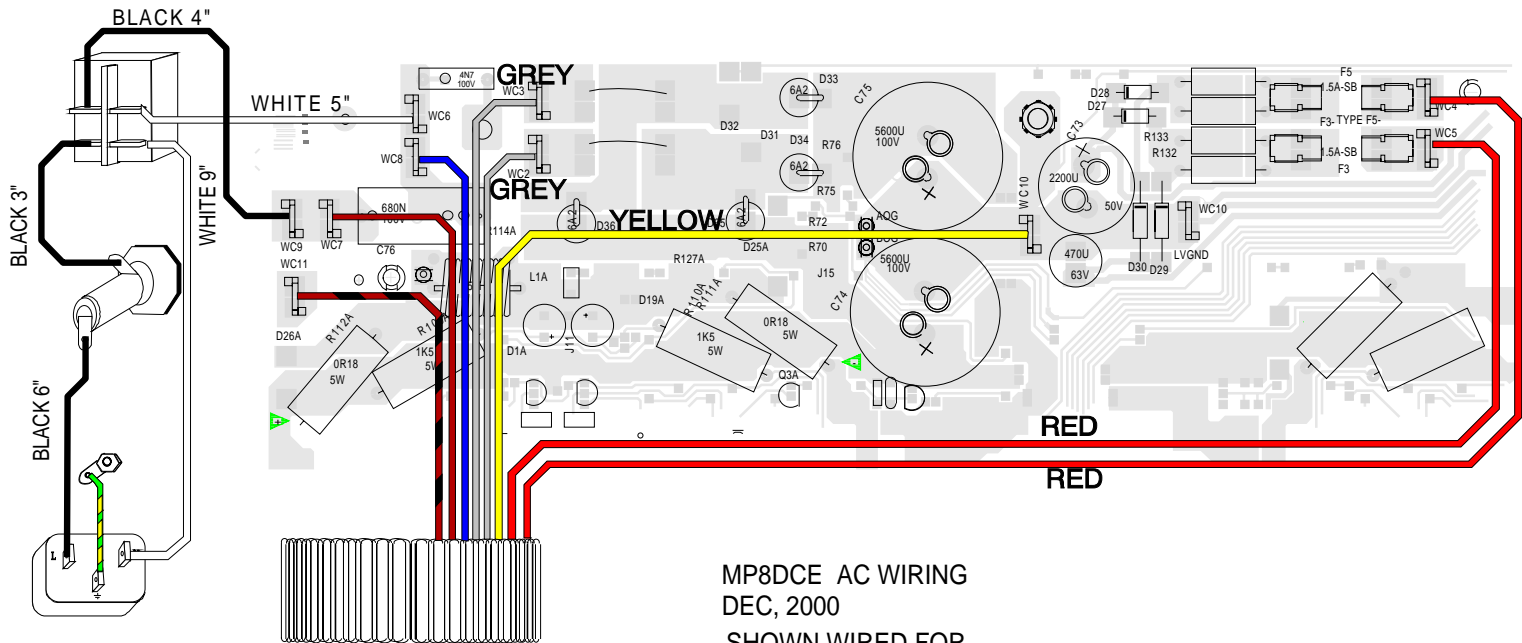


# DIGITAL EFFECTS

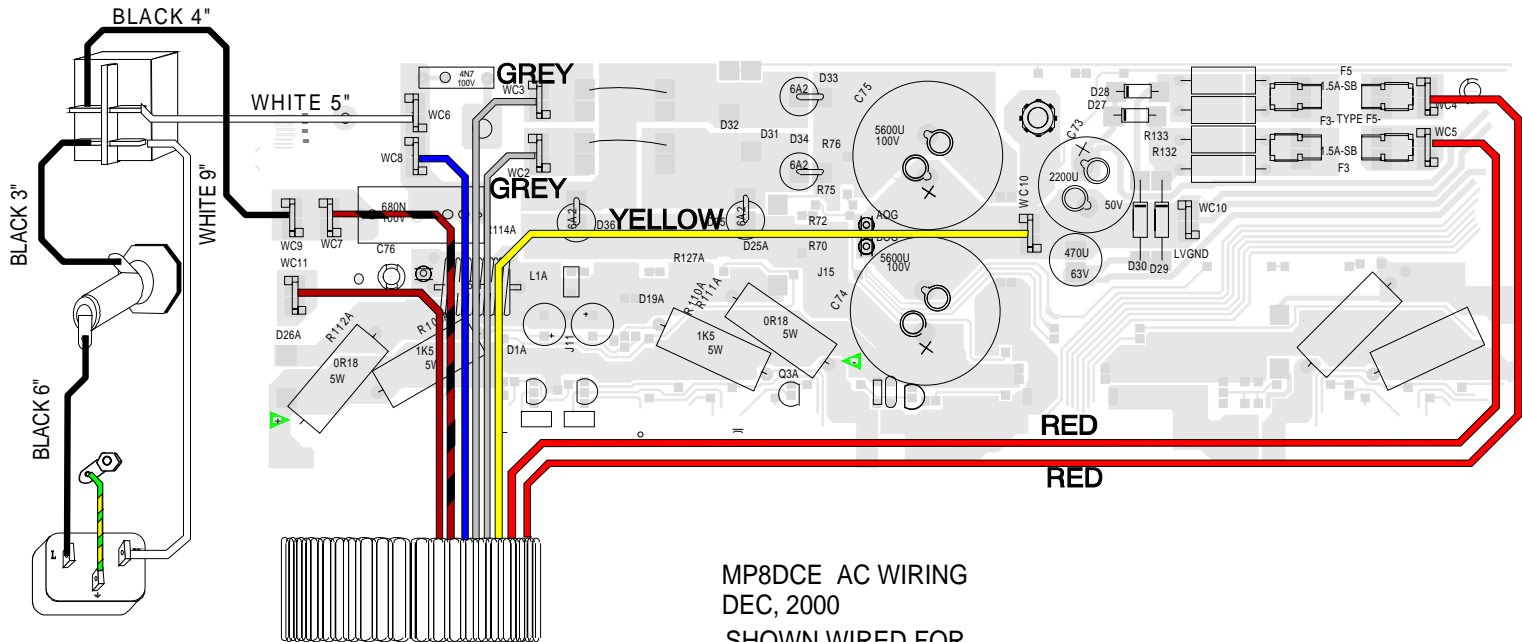
APPROVED	DATE	BY	APPLIED RESEARCH & TECHNOLOGY
R. NEATROUR	2-16-94		215 TRIMONT STREET ROCHESTER, NY 14608
A. CHILCO	1996/10/17		ART OEM REVERSE BOARD
		A	400-4001-100
12-1-94			M1092-FX 4 OF 4







MP8DCE AC WIRING  
 DEC, 2000  
 SHOWN WIRED FOR  
 230V



MP8DCE AC WIRING  
 DEC, 2000  
 SHOWN WIRED FOR  
 245V