



**WORLD HEADQUARTERS  
CANADA**

**Yorkville Sound**  
550 Granite Court  
Pickering, Ontario  
L1W-3Y8 CANADA

Voice: (905) 837-8481  
Fax: (905) 837-8746

**U.S.A.**

**Yorkville Sound Inc.**  
4625 Witmer Industrial Estate  
Niagara Falls, New York  
14305 USA

Voice: (716) 297-2920  
Fax: (716) 297-3689

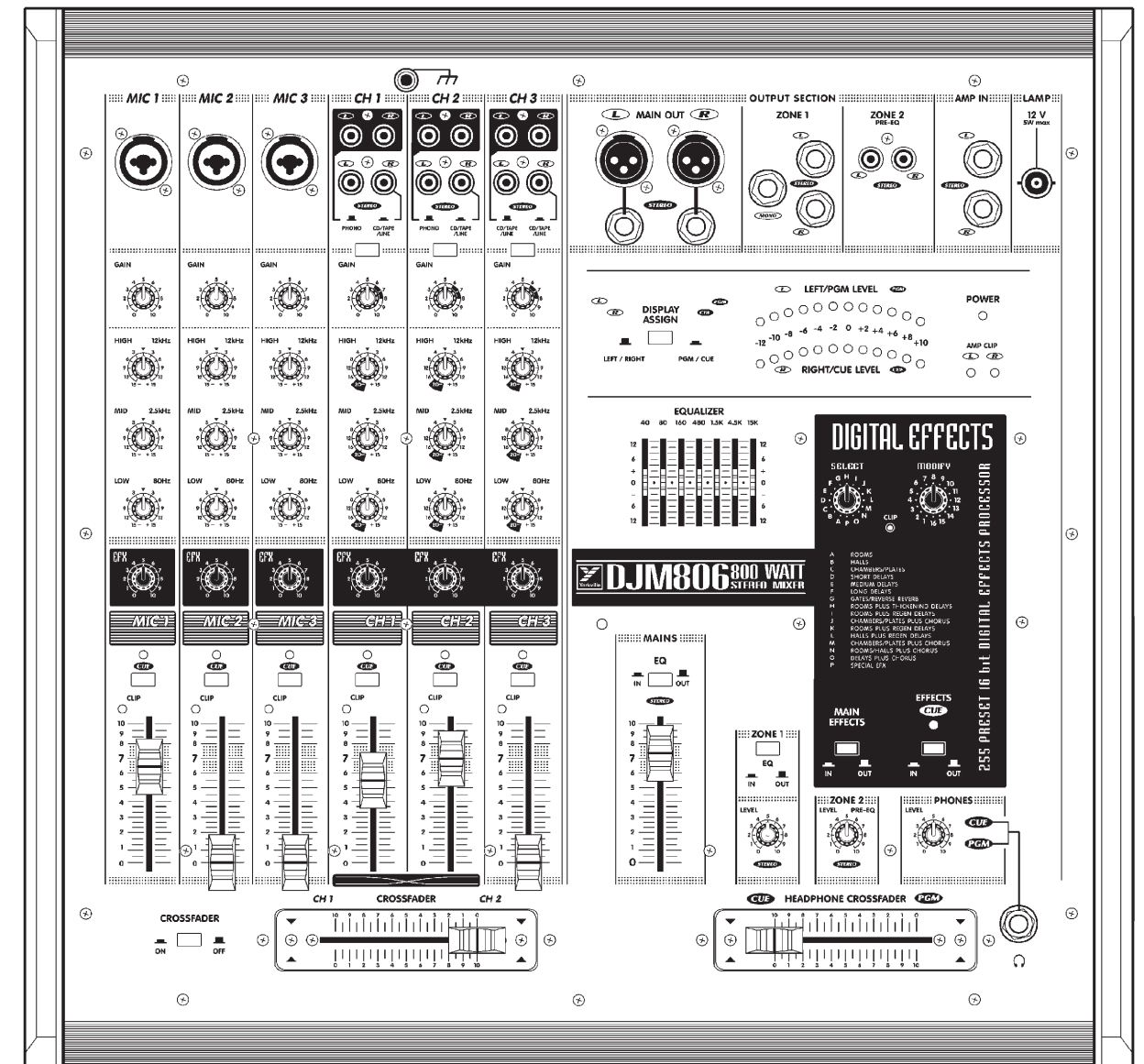


**Quality and Innovation Since 1963**  
Printed in Canada

# SERVICE MANUAL



## DJM806 800 WATT STEREO MIXER



## IMPORTANT SAFETY INSTRUCTIONS



**INSTRUCTIONS PERTAINING TO A RISK OF FIRE, ELECTRIC SHOCK, OR INJURY TO PERSONS.**

**INSTRUCTIONS RELATIVES AU RISQUE DE FEU, CHOC ÉLECTRIQUE, OU BLESSURES AUX PERSONNES.**

### **CAUTION:**

**TO REDUCE THE RISK OF ELECTRIC SHOCK, DO NOT REMOVE COVER (OR BACK). NO USER SERVICEABLE PARTS INSIDE.**

**REFER SERVICING TO QUALIFIED SERVICE PERSONNEL.**

### **AVIS:**

**AFIN DE REDUIRE LES RISQUE DE CHOC ELECTRIQUE, N'ENLEVEZ PAS LE COUVERT (OU LE PANNEAU ARRIERE). NE CONTIENT AUCUNE PIECE REPARABLE PAR L'UTILISATEUR.**

**CONSULTEZ UN TECHNICIEN QUALIFIE POUR L'ENTRETIEN.**

### **Read Instructions:**

The *Owner's Manual* should be read and understood before operation of your unit. Please, save these instructions for future reference.

### **Packaging:**

Keep the box and packaging materials, in case the unit needs to be returned for service.

### **Warning:**

When using electric products, basic precautions should always be followed, including the following:

#### **Power Sources:**

Your unit should be connected to a power source only of the voltage specified in the owners manual or as marked on the unit. This unit has a polarized plug. Do not use with an extension cord or receptacle unless the plug can be fully inserted. Precautions should be taken so that the grounding scheme on the unit is not defeated.

#### **Hazards:**

Do not place this product on an unstable cart, stand, tripod, bracket or table. The product may fall, causing serious personal injury and serious damage to the product. Use only with cart, stand, tripod, bracket, or table recommended by the manufacturer or sold with the product. Follow the manufacturer's instructions when installing the product and use mounting accessories recommended by the manufacturer.

The apparatus should not be exposed to dripping or splashing water; no objects filled with liquids should be placed on the apparatus.

Terminals marked with the "lightning bolt" are hazardous live; the external wiring connected to these terminals require installation by an instructed person or the use of ready made leads or cords.

No naked flame sources, such as lighted candles, should be placed on the apparatus.

#### **Power Cord:**

The AC supply cord should be routed so that it is unlikely that it will be damaged. If the AC supply cord is damaged **DO NOT OPERATE THE UNIT.**

#### **Service:**

The unit should be serviced only by qualified service personnel.

### **Veillez lire le manuel:**

Il contient des informations qui devraient étre comprises avant l'opération de votre appareil. Conservez S.V.P. ces instructions pour consultations ultérieures

### **Emballage:**

Conservez la boîte au cas où l'appareil devait étre retourner pour réparation.

### **Attention:**

Lors de l'utilisation de produits électrique, assurez-vous d'adhérer à des précautions de bases incluant celle qui suivent:

#### **Alimentation:**

L'appareil ne doit étre branché qu'à une source d'alimentation correspondant au voltage spécifié dans le manuel ou tel qu'indiqué sur l'appareil. Cet appareil est équipé d'une prise d'alimentation polarisée. Ne pas utiliser cet appareil avec un cordon de raccordement à moins qu'il soit possible d'insérer complètement les trois lames. Des précautions doivent étre prises afin d'éviter que le système de mise à la terre de l'appareil ne soit désengagé.

#### **Risque:**

Ne pas placer cet appareil sur un chariot, un support, un trépied ou une table instables. L'appareil pourrait tomber et blesser quelqu'un ou subir des dommages importants. Utiliser seulement un chariot, un support, un trépied ou une table recommandés par le fabricant ou vendus avec le produit. Suivre les instructions du fabricant pour installer l'appareil et utiliser les accessoires recommandés par le fabricant.

Il convient de ne pas placer sur l'appareil de sources de flammes nues, telles que des bougies allumées.

L'appareil ne doit pas étre exposé à des égouttements d'eau ou des éclaboussures et qu'aucun objet rempli de liquide tel que des vases ne doit étre placé sur l'appareil.

Les dispositifs marqués d'une symbole "d'éclair" sont des parties dangereuses au toucher et que les câblages extérieurs connectés à ces dispositifs de connection extérieure doivent étre effectués par un opérateur formé ou en utilisant des cordons déjà préparés.

#### **Cordon d'alimentation:**

Évitez d'endommager le cordon d'alimentation. **N'UTILISEZ PAS L'APPAREIL** si le cordon d'alimentation est endommagé.

#### **Service:**

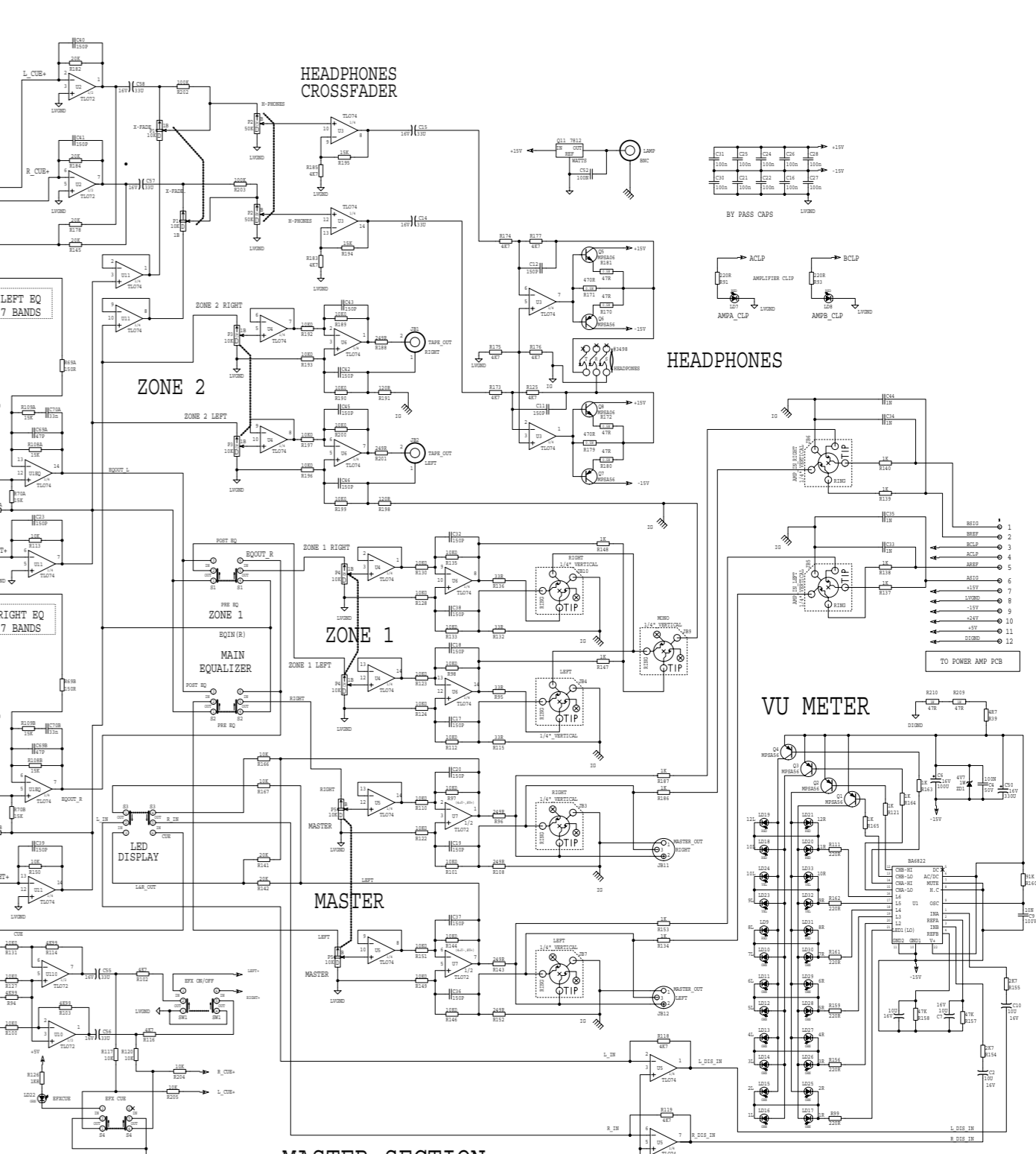
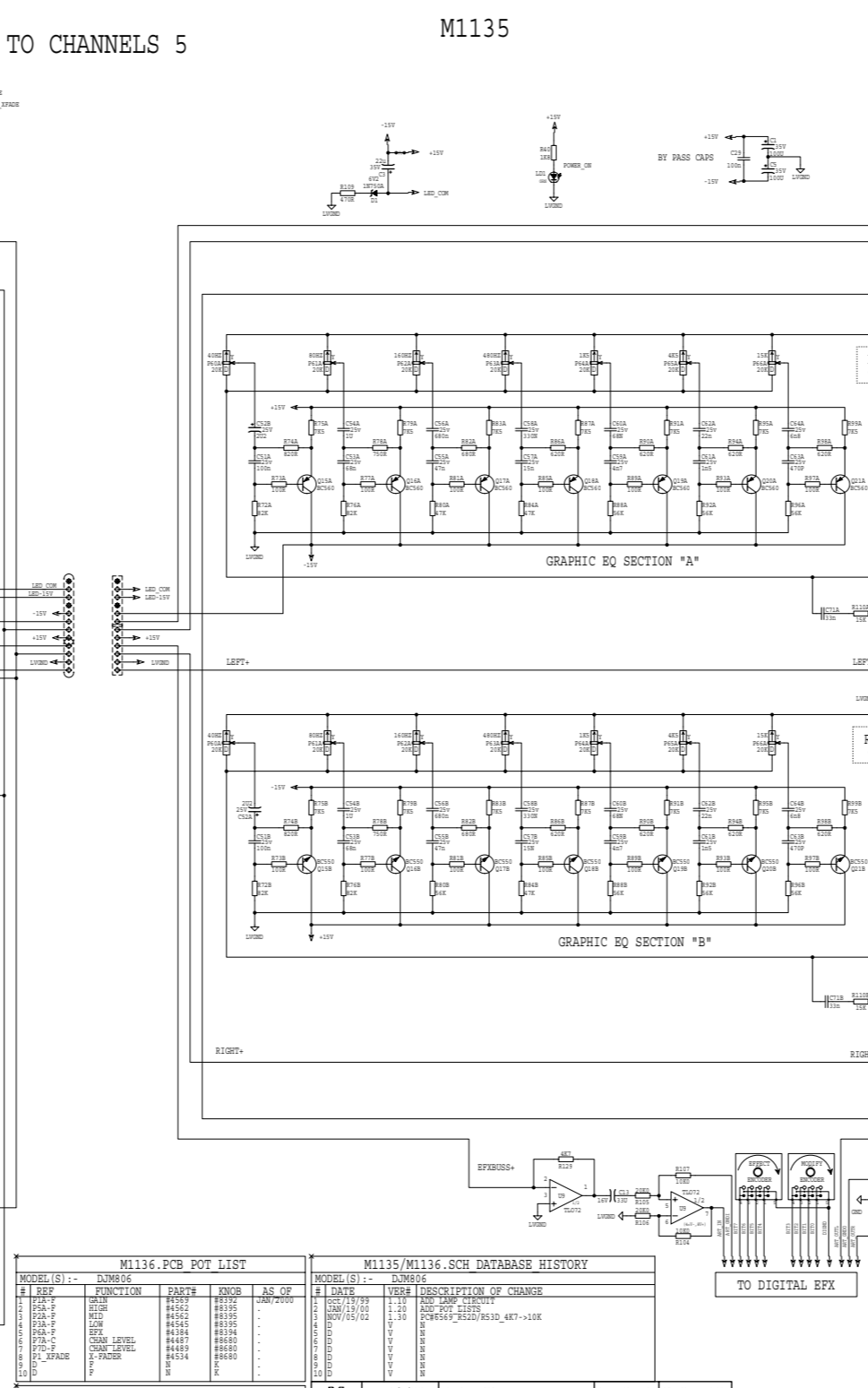
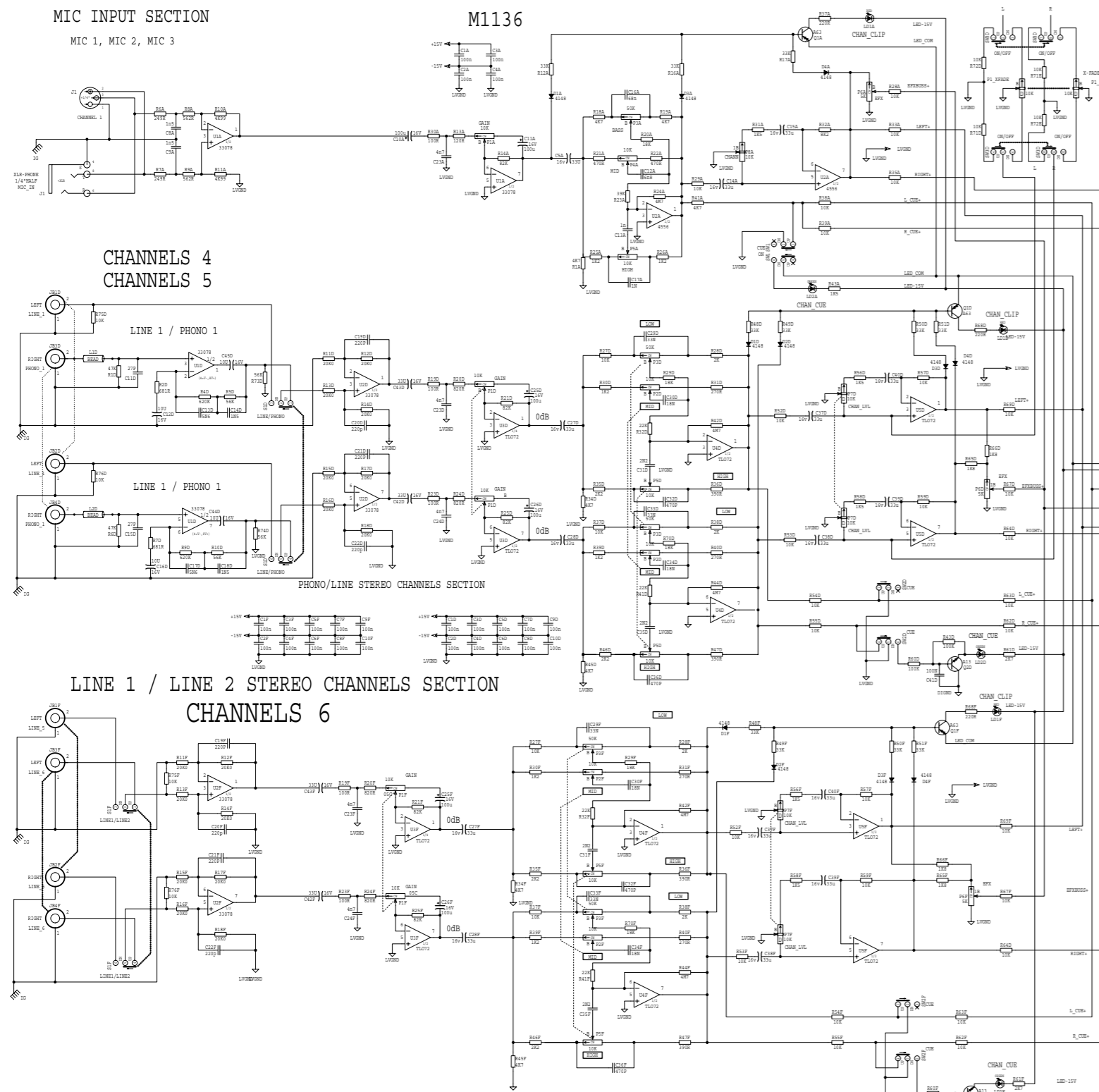
Consultez un technicien qualifié pour l'entretien de votre appareil.

DJM806 Parts List 3/11/99 -1-

YS #	Description	Qty.	YS #	Description	Qty.	YS #	Description	Qty.
3507	28 PIN X .6" I.C DEEP SOCKET	1	5226	.68N 100V 5%CAP T&R RADIAL.2"FILM	11	8797	5/16-18 KEPS NUT JS500	1
3550	44PIN PLCC SOCKET	1	5310	.68N 50V 10%CAP T&R BEAD X7R	2	3866	ELASTOMER PAD TSIL 3 1.2X6.0	5
3557	84PIN PLCC SOCKET	1	5228	100N 100V 5%CAP T&R RADIAL.2"FILM	53	3580	12 CIR WAFER W/LCK VT 0.1"	1
3571	28 PIN X .6" I.C. SOCKET	1	5314	100N 50V 10%CAP T&R BEAD X7R	10	3818	EMI SUPPRESSION FERRITE BEAD T&R	6
6994	CRYSTAL CODEC 44PIN PLCC	1	5233	330N 63V 5%CAP T&R RADIAL.2"FILM	2	4597	22AWG STRAN TC WIR	102
6940	16MHZ CRYSTAL VERT 2-PIN .25"CASE	1	5240	680N 63V 10%CAP T&R RADIAL.2"FILM	2	4599	22AWG SOLID SC WIR T&R	241
5906	RED 3MM LED 1V9 20MA .4 SPACER T&R	7	5256	.1U 63V 5%CAP T&R RADIAL.2"FILM	3	5299	24AWG SOLID SC WIR RAD	9
5907	YEL 3MM LED 1V9 20MA .4 SPACER T&R	6	5257	.2U2 63V 20%CAP T&R RADIAL ELE.2"	4	4745	5.0W 0R1 5% BLK RES	12
5908	GRN 3MM LED 1V9 20MA .4 SPACER T&R	22	5259	.4U7 63V 20%CAP T&R RADIAL ELE.2"	3	4694	5.0W 1R8 5% BLK RES	2
6403	ORANGE3MM LED 1V7 5MA	6	5281	.10U 16V 20%CAP NONPOLAR T&R .2"	2	4866	1/4W 4R7 5% T&R RES	1
6405	RED 3MM LED 1V7 5MA BRIGHT PACE	7	5282	.10U 16V 20%CAP NP 5X7MM T&R .2"	17	4605	1/8W 10R 5% T&R RES	9
6407	YELLOW3MM LED 1V8 5MA EVRLITE204YD	6	5260	.22U 50V 20%CAP T&R RADIAL ELE.2"	1	4686	1.0W 10R 5%FLAME PROOF T&R RES	2
6408	GREEN 3MM LED 1V9 5MA FROSTED	22	5631	.22U 50V 20%CAP T&R RAD 7MM EL.2"	1	4709	5.0W 22R 5% BLK RES	1
6419	BRIDGE 35A 400V WIRE LEAD G13504	1	5961	.33U 16V 20%CAP NONPOLAR T&R RAD	50	4816	1/4W 33R 5% T&R RES	4
6425	BAV21 200V 0A25 DIODE T&R	4	5267	100U 25V 20%CAP T&R RADIAL ELE.2"	3	4995	1/4W 33R2 1%FLAME PROOF T&R RES	6
6438	1N4004 400V 1A0 DIODE T&R	10	5879	100U 16V 20%CAP T&R RAD EL.2"8X7M	16	4704	5.0W 33R 5% BLK RES	1
6825	1N4148 75V 0A45 DIODE T&R	72	5625	330U 10V 20%CAP RADIAL ELECT BULK	1	4613	1.0W 47R 5% T&R RES	2
6934	MR854 400V 0A0 DIODE FAST RECOV	8	5621	470U 63V 20%CAP RADIAL ELECT BULK	1	4617	1/2W 47R 5% T&R RES	4
6733	BA785/11330V 3A2 DIODE SCHOTKY T&R	2	5618	470U 25V 20%CAP RADIAL ELECT BULK	4	6200	1/4W 47R5 1%FLAME PROOF T&R RES	6
6440	1N750ARL 4V7 0W5 ZENER 5% T&R	7	5887	2200U 50V 20%CAP RADIAL ELECT BULK	1	4912	1/4W 75R 5% T&R RES	1
6459	1N4732A 4V7 1W0 ZENER 5% T&R	1	5894	3900UF 80V 20%CAP RADIAL ELECT BULK	8	4602	1/8W 100R 5% T&R RES	20
6436	1N753ARL 6V2 0W5 ZENER 5% T&R	5	4541	100R TRIM POT ENCLOSED HORIZONTAL	2	4852	1/4W 100R 5% T&R RES	3
6822	1N4745A 16V0 1W0 ZENER 5% T&R	4	4489	.10K B-LINEAR STYLE"COV"60MM	3	4921	1/4W 100R 5% .2"U T&R RES	3
6463	1N5251BRL 22V0 0W5 ZENER 5% T&R	1	4537	.10K B-LIN-DETENT STYLE"P25" 9MM	6	4897	1/4W 120R 5% T&R RES	5
6485	1N5256C 30V0 0W5 ZENER 2% T&R	4	4562	.10K STEREO/LIN DT STYLE"P21"	6	4984	1/4W 150R 5%MINI T&R RES	6
6738	MC7805CT TO220 POS 5V0 REG	1	4567	.20K 5C-REV/AUDIO STYLE"P25" 9MM	3	4977	1/4W 220R 5%MINI T&R RES	17
6756	REGULATOR TO220 POS 12V0 500MA	1	4569	.10K STEREO/LINEAR STYLE"P21"12MM	5	4770	1/4W 249R 1% T&R RES	12
6871	MC7915CT TO220 NEG 15V0 REG	1	3995	20K SLD ST WHT KB V 30M DT	7	4986	1/4W 270R 5%MINI T&R RES	6
6872	MC7815CT TO220 POS 15V0 REG	1	4384	.5K B-LINEAR STYLE"P25" 9MM	6	4789	1/4W 324R0 0.1% *** T&R RES	2
5101	BC550C TO92 NPN TRANS. T&R	15	4545	.50K STEREO/LIN DT STYLE"P21"12MM	3	5010	1/4W 330RX8 5% 10PIN SIP RES	1
5102	BC560C TO92 PNP TRANS. T&R	18	4546	.50K B-LINEAR DETNT STYLE"P25" 9MM	3	4872	1/4W 390R 5% T&R RES	6
5103	MPSA06 TO92 NPN TRANS. T&R	3	4571	.50K STEREO/LINEAR STYLE"P21"12MM	1	4690	1/2W 442R 1% T&R RES	3
5104	MPSA56 TO92 PNP TRANS. T&R	6	4581	ROTARY ENCODER 4-BIT VER PCB DSHAFT	2	4621	1/2W 470R 5% T&R RES	2
5105	MPSA13 TO92 NPN DARLINGTON&R	6	4487	.10K 10A-STER/AUDIO STYLE"COV"60MM	4	4821	1/4W 470R 5% T&R RES	1
5106	MPSA63 TO92 PNP DARLINGTON&R	8	3606	12.0 AMP CIRCUIT BREAKER	1	4933	1/4W 470R 5% .2"U T&R RES	1
5119	2N5638 TO92 N CHAN J FETT&R	4	714	1.5 MIL X 36" CLEAR POLY SHEETING	4	4980	1/4W 470R 5%MINI T&R RES	6
5123	NJM431L TO92 SHUNT REG T&R2V	2	3820	4UH COIL 14AWG ZOBEL HORIZONTAL	2	4691	1/4W 510R 5% T&R RES	4
6912	BDX53C TO220 NPN DARLINGTON	1	8543	RUBBER FOOT ZB-1160 MINOR RUBBER	4	4799	1/4W 562R 1% T&R RES	6
6988	MJL21194 TO3P NPN TRANS PWR	6	3489	CLIP 250X032 18-22AWG DISCO/INSL	1	6203	1/4W 590R 1%FLAME PROOF T&R RES	12
6989	MJL1302A TO3P PNP TRANS PWR	2	3490	CLIP 250X032 14-16AWG DISCO/INSL	9	4922	1/4W 620R 5% .2"U T&R RES	8
6990	MJL3281A TO3P NPN TRANS PWR	2	3529	CLIP 250X032 TN 18-22AWG MALE	1	4673	1/2W 680R 5% T&R RES	4
6991	MJL21193 TO3P PNP TRANS PWR	6	3601	RING TERMINAL 16AWG WIRE & #8 SCREW	2	4743	1/4W 681R0 0.1% *** T&R RES	4
6840	MC33078P IC DUAL OP AMP	12	3615	STAR RING TERMINAL 18 AWG #10 SCREW	1	4923	1/4W 680R 5% .2"U T&R RES	1
6882	TL072CP IC FET DUAL OP AMP	20	3682	250 MALE PCB TAB BULK ON CATRIGE	13	4869	1/4W 750R 5% T&R RES	1
6889	TL074CN IC QUAD O/A T.I ONLY	6	3926	BNC FEMALE PANEL MNT NON-INSUL	1	4924	1/4W 750R 5% .2"U T&R RES	3
6895	BA6822S IC LED VU METER C	1	3416	COMBO 1/4" AND XLR PCMOUNT JACK	3	4925	1/4W 820R 5% .2"U T&R RES	1
6745	LM13600N IC XCONDUCTANCE AMP	1	3498	M203-02 PLAIN PC MNT JK SKT	5	5016	1/8W 820R 5%FLAME PROOF T&R RES	7
6943	74HC374N IC OCTAL DTYPE LATCH	1	3921	1/4" VERT JACK PC MNT R&T SWT	7	4823	1/4W 1K 5% T&R RES	8
6962	74HC30 IC 8-INPUT NAND GATE	1	3466	MOULDED DUAL RCA SOCKET GOLD LEADS	7	4981	1/4W 1K 5%MINI T&R RES	16
6981	EPROM 27C512 - YORKVILLE 16X16 PRGM	1	6956	SPEAKON CONN PCB MNT HOR NL4MD-H	2	6110	1/4W 1K0 1%MINI MF T&R RES	4
6992	1365-102 IC DIGITAL REVERB ASIC	1	3453	X901-03 MALE XLR PC MOUNT JACK	2	4585	1/4W 1K2 5%MINI T&R RES	12
6993	1250-101 IC SRAM 32KX8	1	3451	0.089 OD SMALL EYELET ELECTROPLATED	86	4988	1/4W 1K5 5%MINI T&R RES	14
5190	MBS4992 TO92 8V5 DIAC T&R	2	2486	1.5 AMP SLO-BLO T&R FUSE	2	4738	5.0W 1K8 5% BLK RES	8
6448	BT139 TO220 16A TRIAC 500V	2	3863	FAN 80MM X 80MM 39CFM 12VDC 173MA	1	4825	1/4W 1K8 5% T&R RES	2
6880	4N35 OPTO-COUPLER	2	3745	DUAL XSISTOR PBL SPRING PLATE ZN	9	6105	1/4W 1K8 5%MINI T&R RES	6
6478	AS35FN-TO92 TEMPERATURE SENSOR	2	8682	#4 TEFLON WASHER .125ID .281OD .031	2	4631	1/2W 2K 5% T&R RES	1
5405	.27P 200V 5%CAP T&R RAD CER.2"NPO	7	3552	NYLON SPRING CLAMP	1	6113	1/4W 2K 5%MINI T&R RES	6
5203	.47P 100V 2%CAP T&R RAD CER.2"NPO	2	3788	QUICKON MALETAB	1	6104	1/4W 2K2 5%MINI T&R RES	6
5408	.47P 100V 10%CAP T&R BEAD NPO	2	3801	5/8" BUMPER BUTTON BLACK	1	6202	1/4W 2K21 1%FLAME PROOF T&R RES	4
5410	100P 100V 10%CAP T&R BEAD NPO	4	3810	4" NYLON CABLE TIE	12	4587	1/4W 2K32 1% T&R RES	2
5196	150P 100V 2%CAP T&R RAD CER.2"NPO	18	3827	SQUARE BUMPER BUTTON BLACK	5	4588	1/4W 2K43 1% T&R RES	2
5197	220P 100V 2%CAP T&R RAD CER.2"NPO	12	3852	STICK ON CABLE WRAP ANCHOR	1	4864	1/4W 2K7 5% T&R RES	5
5201	470P 100V 5%CAP T&R RAD CER.2"NPO	8	8392	RED STYLE 1 KNOB	9	4635	1/2W 3K 5% T&R RES	2
5206	.1N 400V 5%CAP T&R RADIAL.2"FILM	11	8393	GREY STYLE 1 KNOB	6	4788	1/4W 3K160 0.1% *** T&R RES	2
5273	.1N5 200V 5%CAP T&R RAD CER.2"NPO	12	8395	BLUE STYLE 1 KNOB	18	6136	1/4W 3K3 5%MINI T&R RES	6
5208	.2N2 400V 5%CAP T&R RADIAL.2"FILM	6	8397	GREY STYLE 2 KNOB	2	4793	1/4W 4K590 0.1% *** T&R RES	2
5274	.2N2 200V 5%CAP T&R RAD CER.2"NPO	6	8638	AP MIXER SERIES PUSH SW BUTTON GREY	15	4627	1/2W 4K7 5% T&R RES	2
5426	.2N2 50V 10%CAP T&R TUBULAR Y5R	4	8680	GREY FADER KNOB - AP-812	7	4982	1/4W 4K7 5%MINI T&R RES	31
5209	.4N7 250V 5%CAP T&R RADIAL.2"FILM	14	3468	8? 3/16 SJT AC LINE CORD STRIP 17"	1	6128	1/4W 4K99 1%MINI MF T&R RES	13
6451	.4N7 250V 20%CAP AC Y ONLY RAD10MM	1	3821	HEYCO #1200 STRAIN RELIEF	1	4828	1/4W 6K8 5% T&R RES	2
5271	.5N6 100V 5%CAP T&R RADIAL.2"FILM	4	3596	36PIN BREAKAWAY .15GOLD .100	1	4978	1/4W 6K8 5%MINI T&R RES	1
5272	.6N8 100V 5%CAP T&R RADIAL.2"FILM	5	3597	12 CIR HDR BOT ENTRY 0.1" GOLD	1	4887	1/4W 7K5 5% T&R RES	2
5204	.10N 100V 10%CAP T&R RADIAL.2"FILM	9	3638	12 CIR CABLE HOLDER .098	3	4926	1/4W 7K5 5% .2"U T&R RES	14
5205	.15N 100V 10%CAP T&R RADIAL.2"FILM	2	3661	.6 CIR WAFER W/LCK RA 0.1" GOLD	2	4990	1/4W 8K2 5%MINI T&R RES	3
5207	.18N 100V 5%CAP T&R RADIAL.2"FILM	6	3672	6 CIR CABLE HOLDER .098	2	4810	1/4W 9K1 5% T&R RES	6
5210	.22N 100V 10%CAP T&R RADIAL.2"FILM	3	3676	8 CIR CABLE HOLDER .098	2	4829	1/4W 10K 5% T&R RES	28
5304	.22N 50V 10%CAP T&R BEAD X7R	2	5989	4 CIR CABLE HOLDER .098	4	4940	1/4W 10K 5% .2"U T&R RES	7
6435	.22N 275V 20%CAP AC X2 RAD BLK15MM	1	8800	6-32 KEPS NUT ZINC	3	4983	1/4W 10K 5%MINI T&R RES	40
5222	.33N 100V 10%CAP T&R RADIAL.2"FILM	10	8787	8-32 KEPS NUT ZINC	1	5011	1/4W .10KX8 2% 10PIN SIP RES	1
5224	.47N 100V 10%CAP T&R RADIAL.2"FILM	2	8845	10-32 PENMUT SS-032-2-Z1	6	6116	1/4W 10K0 1%MINI MF T&R RES	41

DJM806 Parts List 3/11/99 -2-

YS No.	Description	Qty.	YS No.	Description	Qty.
4773	1/4W 12K1 1% T&R RES	1	3511	#6 FLAT WASHER NYLON	18
4775	1/4W 14K0 1% T&R RES	1	8491	#10 SPLIT LOCK WASHER BO	4
4979	1/4W 15K 5%MINI T&R RES	10	3437	DPDT PUSH SW PCMT V MINI UGT 3522	14
4771	1/4W 17K8 1% T&R RES	1	3440	4PDT MINI VERT ALT SWITCH	1
6125	1/4W 18K 5%MINI T&R RES	9	3587	DPDT ROKR SW QUIK 250" AC/PWR IEC65	1
4885	1/4W 20K 5% T&R RES	4	3406	GROUND POST - BANANA JACK J587-ND	1
6123	1/4W 20K0 1%MINI MF T&R RES	30	4534	.10K B-STER/AUDIO STYLE"500"60MM	2
4777	1/4W 21K5 1% T&R RES	5	6106	1/4W 620K 5%MINI T&R RES	4
6118	1/4W 22K 5%MINI T&R RES	7	8275	AP812 DUST SHIELD 3.5XROLL, INDIGO	1.271
4956	1/4W 27K 5% .2"U T&R RES	2	8552	AIR VENT, AP MIXERS	1
6129	1/4W 27K 5%MINI T&R RES	6	8553	BUMPER,AP812 SERIES MIXER 17.250"	2
4917	1/4W 31K6 1% T&R RES	1	8557	GABLE, 3-HOLE AP MIXERS STYLE 2	2
4840	1/4W 33K 5% T&R RES	2	8581	CUSTOM PBL TRANSISTOR SPACER	9
4947	1/4W 33K 5% .2"U T&R RES	6	8710	M3 X 0.5 X 5MM LONG FLAT PHILIPS MS	4
6122	1/4W 33K 5%MINI T&R RES	15	3948	ORANGE 18 AWG TR-64 PREFUSED	0.875
4794	1/4W 37K90 0.1% *** T&R RES	2	3950	GREEN 18 AWG TR-64 PREFUSED	4.959
4853	1/4W 39K 5% T&R RES	3	3966	GREEN 16 AWG PREFUSED WIRE	4.25
4878	1/4W 43K 5% T&R RES	8	3967	RED 16 AWG PREFUSED WIRE	1
4834	1/4W 47K 5% T&R RES	1	3968	BLUE 16AWG PREFUSED WIRE	0.75
6119	1/4W 47K 5%MINI T&R RES	8	3969	WHITE 16AWG PREFUSED WIRE	1.916
4803	1/4W 49K9 1% T&R RES	2	3970	BLACK 16AWG PREFUSED WIRE	2
4928	1/4W 56K 5% .2"U T&R RES	13	3971	YELLOW 16AWG PREFUSED WIRE	1
5018	1/4W 56K 5%MINI T&R RES	3	1318	AP-812 T?RD	1
4761	1/4W 60K4 1% T&R RES	1			
4836	1/4W 68K 5% T&R RES	8			
4760	1/4W 75K 5% T&R RES	2			
4586	1/4W 82K 5%MINI T&R RES	7			
4929	1/4W 82K 5% .2"U T&R RES	6			
4898	1/4W 91K 5% T&R RES	1			
4942	1/4W 100K 5% .2"U T&R RES	7			
6120	1/4W 100K 5%MINI T&R RES	2			
4851	1/4W 120K 5% T&R RES	4			
4886	1/4W 200K 5% T&R RES	1			
4843	1/4W 470K 5% T&R RES	1			
6127	1/4W 470K 5%MINI T&R RES	1			
4844	1/4W 1M 5% T&R RES	4			
4845	1/4W 2M2 5% T&R RES	1			
4888	1/4W 4M7 5% T&R RES	2			
4951	1/4W 4M7 5% .2"U T&R RES	7			
3639	1.7"12C-26AWG RIBBON CABLE 0.25"S&R	1			
3665	2.0" 8C-				



**M1136.PCB POT LIST**

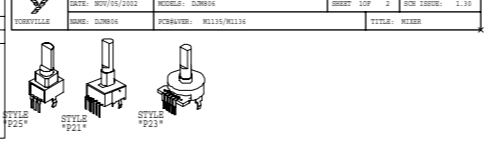
#	REF	FUNCTION	PART#	KNGB	AS OF
1	1	MASTER	84569	84580	1/20/00
2	2	ZONE 1	84569	84580	1/20/00
3	3	ZONE 2	84569	84580	1/20/00
4	4	HEADPHONE	84571	84580	1/20/00
5	5	SELECT	84581	84580	1/20/00
6	6	MODIFY	84581	84580	1/20/00

**M1135/M1136.SCH DATABASE HISTORY**

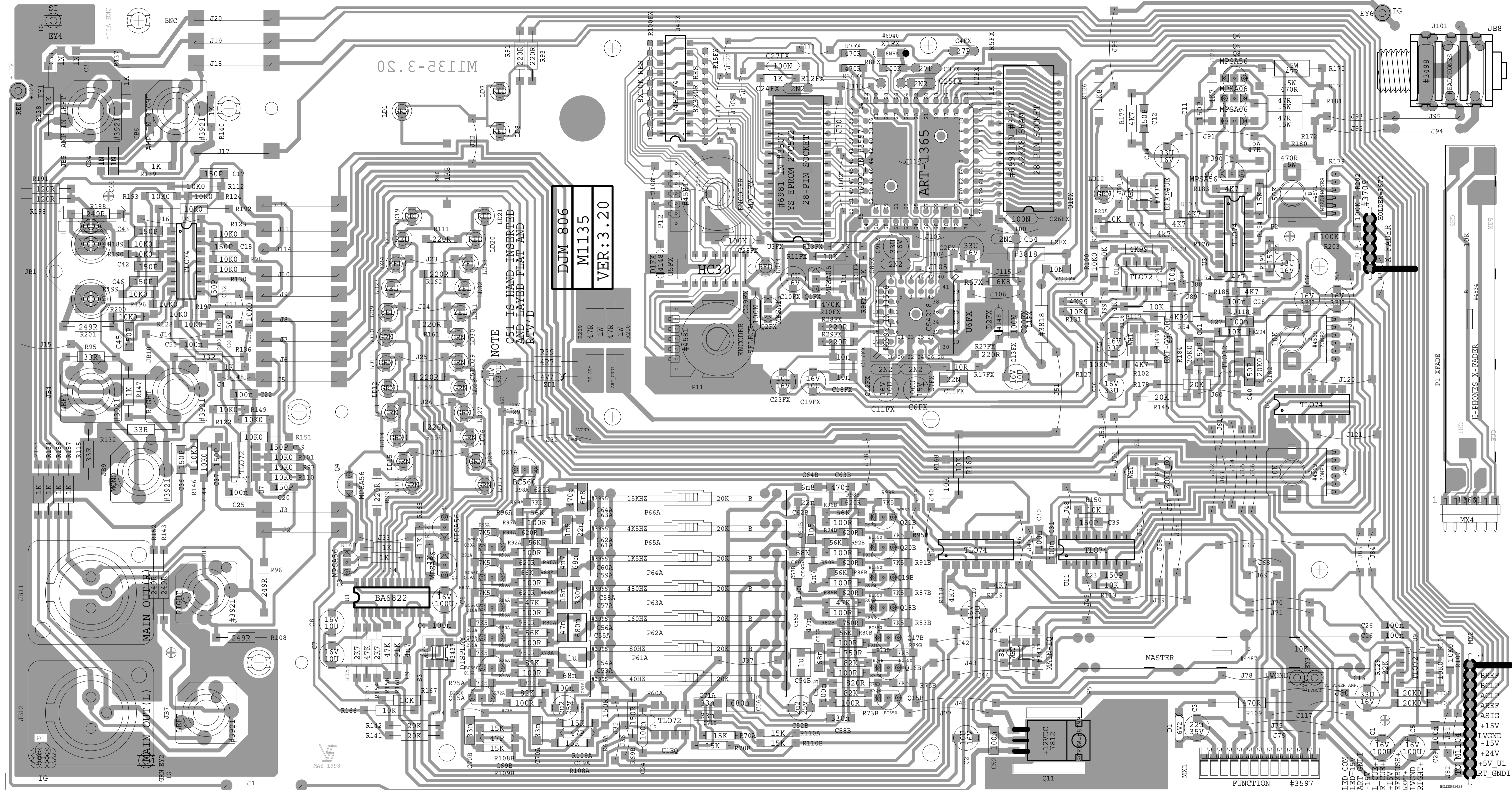
#	DATE	VER#	DESCRIPTION OF CHANGE
1	1/20/99	1.00	ADD AMP CIRCUIT
2	11/15/02	1.10	REVISE TO 100K
3	11/15/02	1.20	REVISE TO 100K

**M1135.PCB POT LIST**

#	REF	FUNCTION	PART#	KNGB	AS OF
1	1	MASTER	84569	84580	1/20/00
2	2	ZONE 1	84569	84580	1/20/00
3	3	ZONE 2	84569	84580	1/20/00
4	4	HEADPHONE	84571	84580	1/20/00
5	5	SELECT	84581	84580	1/20/00
6	6	MODIFY	84581	84580	1/20/00



ALL DIMENSIONS IN INCHES UNLESS NOTED OTHERWISE



**DJM 806**  
**M1135**  
**VER: 3.20**

**NOTE**  
 C51 IS HAND INSERTED  
 AND LAYED FLAT AND  
 RTV'D

**M1135.PCB DATABASE HISTORY**

#	DATE	VER#	DESCRIPTION OF CHANGE
1	JUN/29/98	1.00	PC#5791 ADD EYELETS FOR RCA JKS
2	AUG/12/98	2.00	CORRECT ERRORS
3	OCT/13/98	3.00	PC#5844 ADD SPACER REDO X-FADER
4	NOV/25/98	3.10	PC#5882 R10FX 15K->470K C1FX 33u-1u
5	OCT/11/00	3.20	PC#6291 R16FX_680R->470R REMOVE_C5FX
6			
7	NOV/23/04		PC#6771 #3571->#3507 SKT FOR #6993 SRAM
8	D	V	N
9	D	V	N
10	D	V	N
11	D	V	N

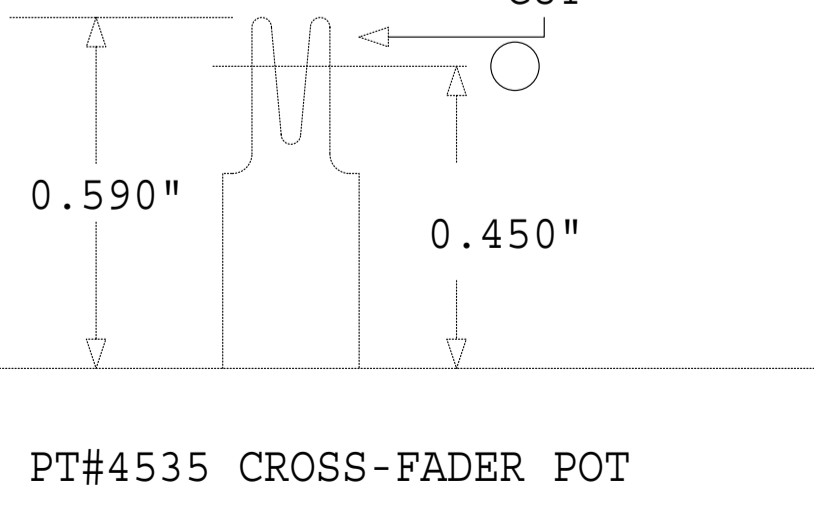
**M1135.PCB POT LIST**

REF	FUNCTION	PART#	NOB	AS OF
P60-P66	BQ	#3995	NO NOB	JAN/2000
P5	MASTER	#4487	#8680	
P4	ZONE_1	#4569	#8392	
P3	ZONE_2	#4569	#8392	
P1_XFADE	HD-PHN X_FADE	#4534	#8680	
P2	HEADPHONE	#4571	#8392	
P11	SELECT	#4581	#8397	
P12	MODIFY	#4581	#8397	

**PRODUCTION NOTES**

- THIS EYELET MOUNTED ON COMPONENT SIDE
- THIS EYELET MOUNTED ON COPPER SIDE
- C51 IS HAND INSERTED THEN LAID FLAT ON THE PCB AND RTV'D.
- FOR ALL 10u 16V USE PT#5282
- TRIM SHAFT OF CROSS-FADER POT AS SHOWN

BLANK SIZE=16.000" X 8.900"



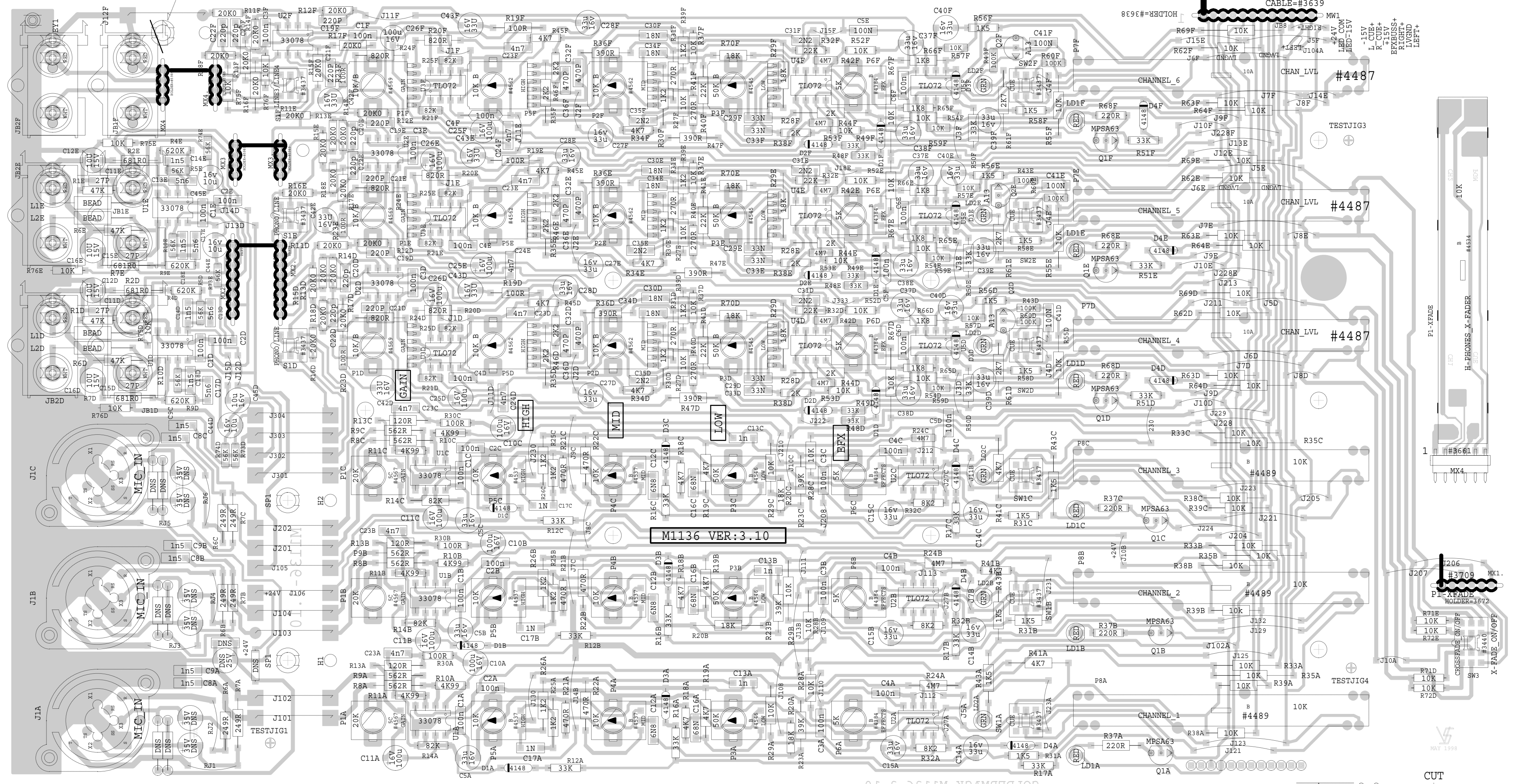
11136.CMP.PRN

3

SOLDERSIDE M1136-3.10  
DRILL DETL M1136-3.10

Wave Solder  
CUT PLASTIC OFF JB1F

BLANK SIZE=16.000" X 8.850"  
BLANK SIZE=16.000" X 8.850"



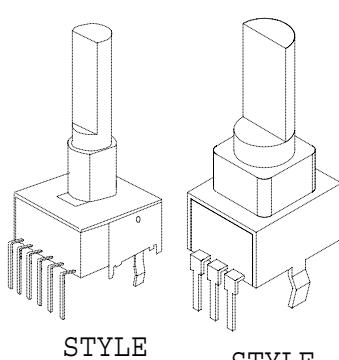
M1136 VER:3.10

M1136.PCB\_DATABASE\_HISTORY

#	DATE	VER#	DESCRIPTION OF CHANGE
1	JUN/29/98	1.00	PC#5791 ADD EYELETS TO RCA JACKS
2	AUG/12/98	2.00	SOME TRACES TO CLOSE
3	OCT/14/98	3.00	PC#5844 SPACER ADDED ROUT CHANGED
4	NOV/05/02	3.10	PC#6569_R52D/E,R53D/E_4K7->10K
5			
6			
7			
8			
9			
10			
11			
12			

M1136.PCB POT LIST

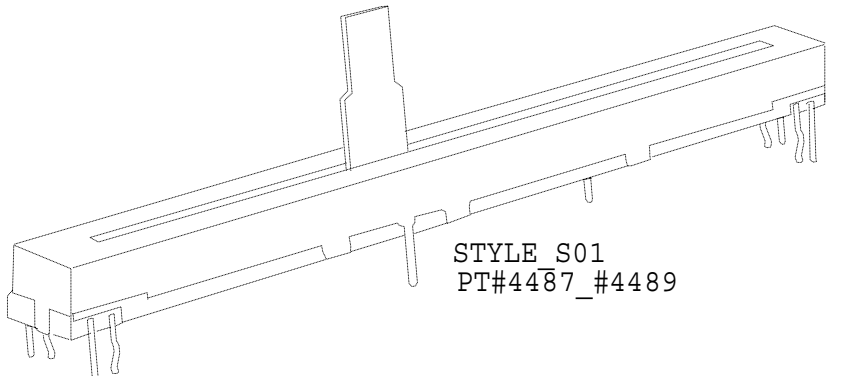
REF	FUNCTION	PART#	KNOB	AS OF
P1A-F	GAIN	#4569	#8392	JAN/2000
P5A-F	HIGH	#4562	#8395	
P2A-F	MID	#4562	#8395	
P3A-F	LOW	#4545	#8395	
P6A-F	EFX	#4384	#8393	
P7A-C	CHAN LEVEL	#4489	#8680	
P7D-F	CHAN_LEVEL	#4487	#8680	



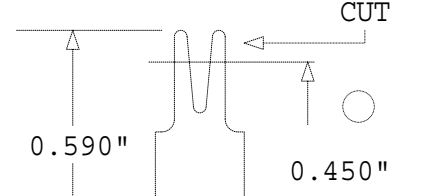
STYLE "P21"      STYLE "P25"

PRODUCTION NOTES

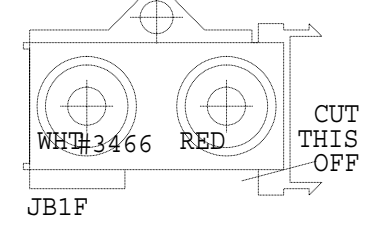
- INSTALL THIS EYELET ON THE COMPONENT SIDE
- INSTALL THIS EYELET ON THE COPPER SIDE
- TRIM SHAFT OF CROSS-FADER POT AS SHOWN
- TRIM RCA JACK AS SHOWN



STYLE S01  
PT#4487\_#4489

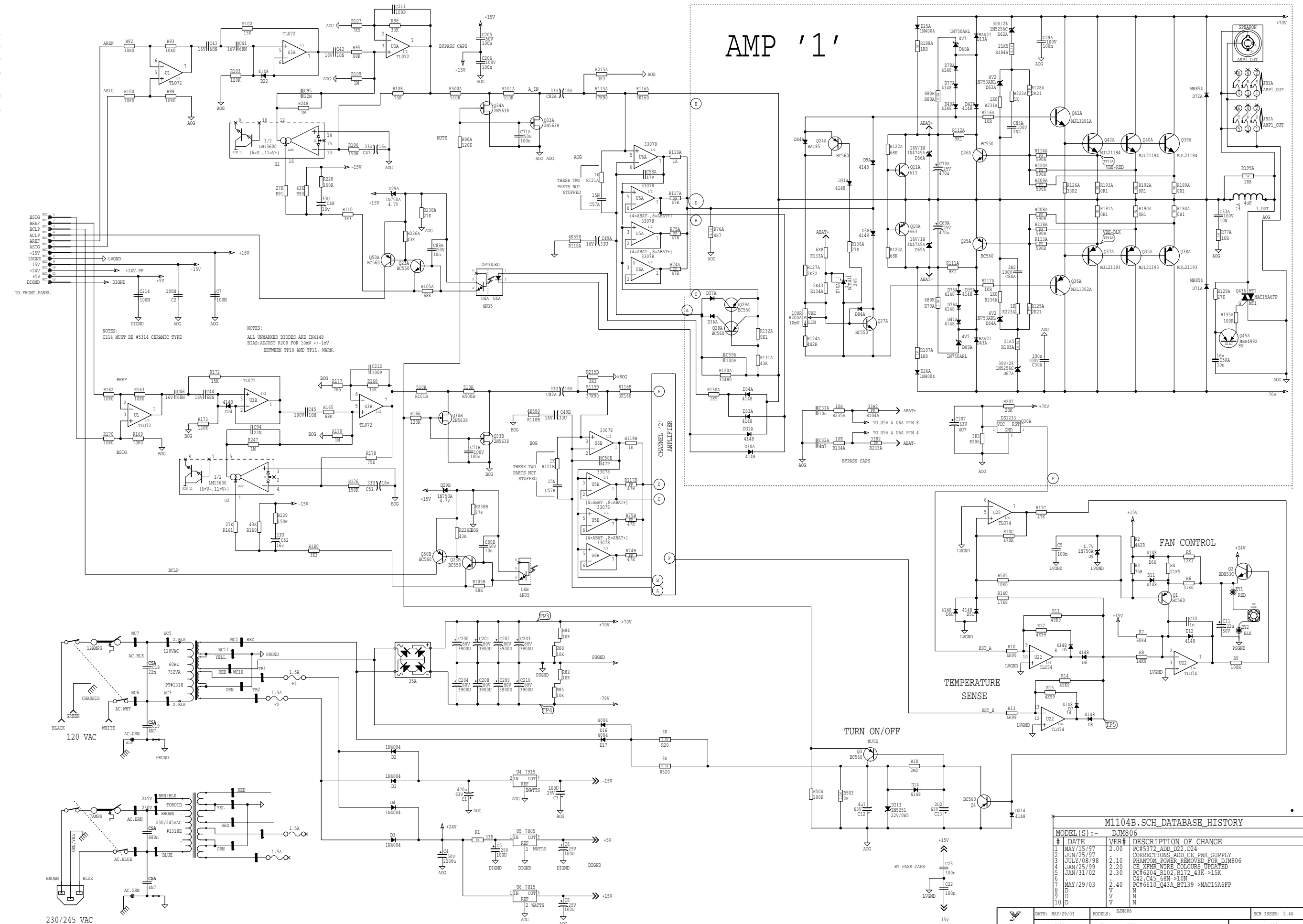


PT#4535 CROSS-FADER POT



WH#3466 RED  
CUT THIS OFF  
JB1F

U:\M1104B24.PRN



M1104B.SCH_DATABASE_HISTORY			
MODEL(S) :-	DJM806	DATE	DESCRIPTION OF CHANGE
1	MAY/15/97	2.00	PC#5372_ADD D22, D24
2	JUN/25/97	2.10	CORRECTIONS ADD CE PWR SUPPLY
3	JUL/17/98	2.10	PHANTOM POWER REMOVED FOR DJM806
4	JAN/25/99	2.20	CE_XFMR_WIRE_COLOURS_UPDATED
5	JAN/31/02	2.30	PC#6204_R102, R172_43K->15K
6	MAY/29/03	2.40	C42, C45_68N->10N
7	N	N	PC#6610_Q43A_B7139->MAC15A6FP
8	N	N	
9	N	N	
10	N	N	





