




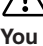


ELB-01 Assembly Instructions

Carefully read these instructions BEFORE assembling the Electone.

-  Be careful not to confuse any of the parts, and be sure to install all parts in the correct direction by following the procedures given below.
-  Be sure to assemble the Electone with two or more people.
-  Don't use any screws other than the ones specified and included in this package. Use of incorrect screws can cause damage and malfunction.
-  Be sure to tighten all screws upon completing assembly.
-  Make sure to perform all assembly operations on a flat surface.
-  To disassemble, reverse the procedures.

You need a Phillips (+) screwdriver to assemble the Electone.

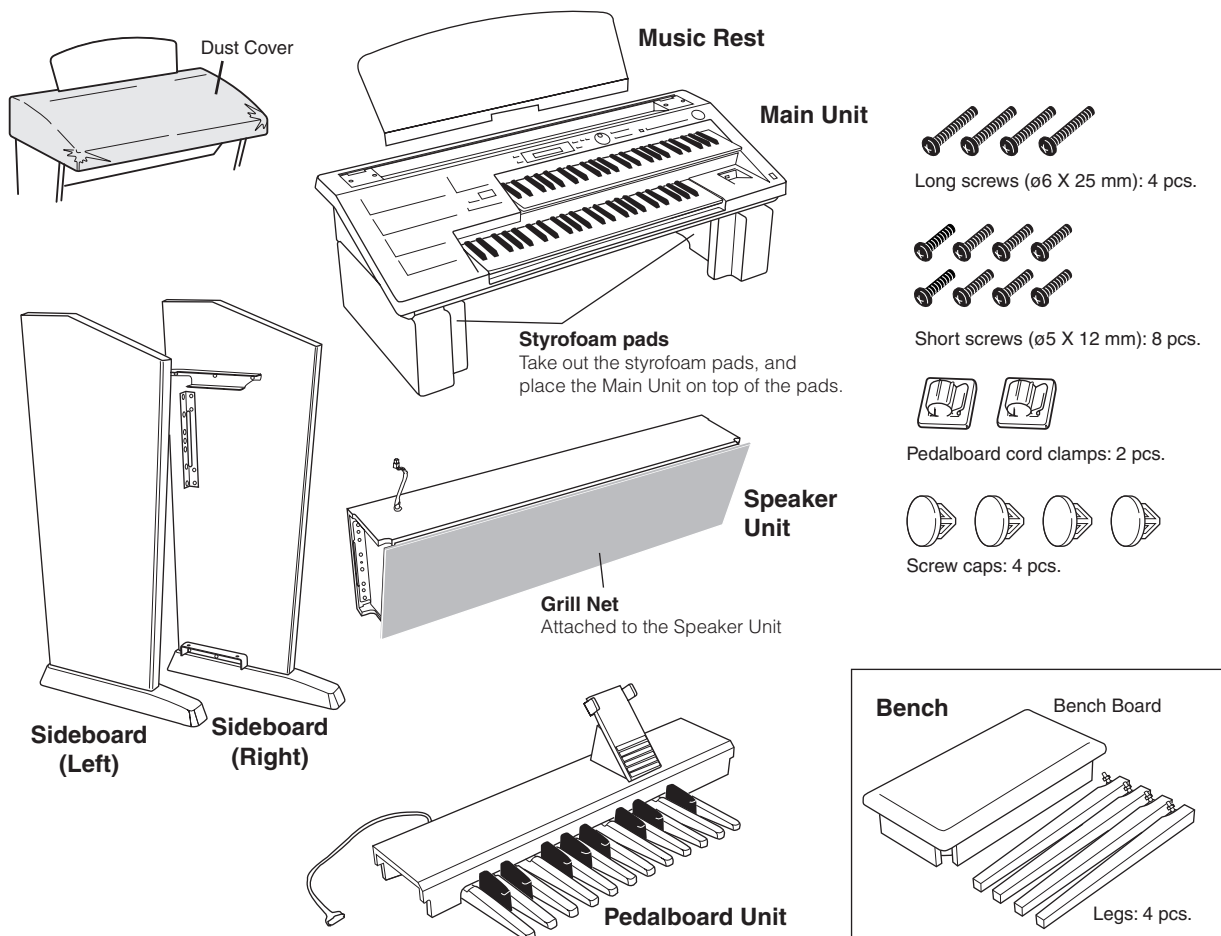
1 Open the package, take out the two styrofoam pads from the both sides of the package, and carefully place the main unit on top of the pads as shown.

Take care not to pinch AC power cord plug between the pads and Main unit.

2 Take out all parts from the package.

Please confirm that all parts shown in the illustration are provided.

When you take out the Speaker Unit, always hold the bottom of the Speaker Unit, not holding the Grill Net.

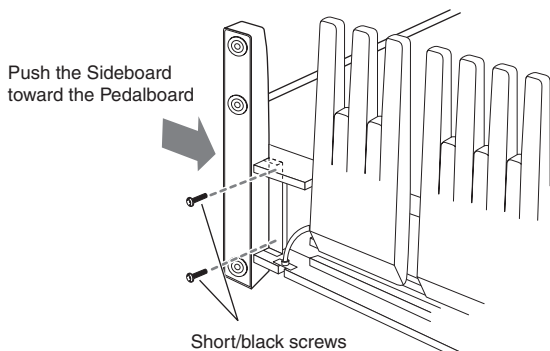


3 Mount the Sideboards onto the Pedalboard unit.

Be sure not to confuse the Right and Left Sideboards.

3-1 Raise the Pedalboard as shown in the illustration below.

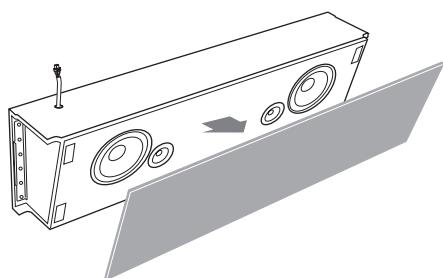
3-2 Position each screw hole on both the Pedalboard and Sideboards as shown in the illustration and mount the Sideboards onto the Pedalboard using the 4 short screws (2 screws on each Sideboard).



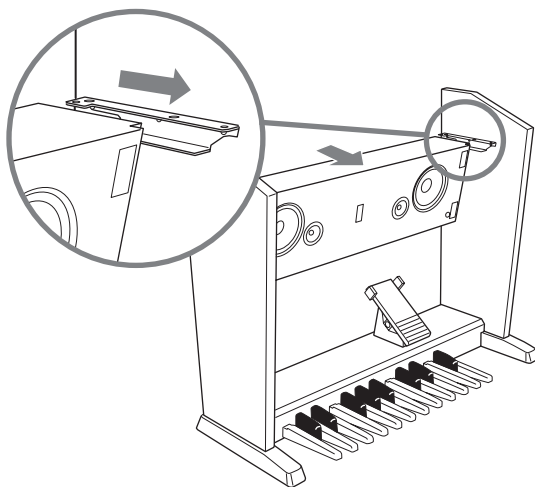
3-3 Stand the Pedalboard after securing the screws.

4 Mount the Speaker Unit onto the Sideboards.

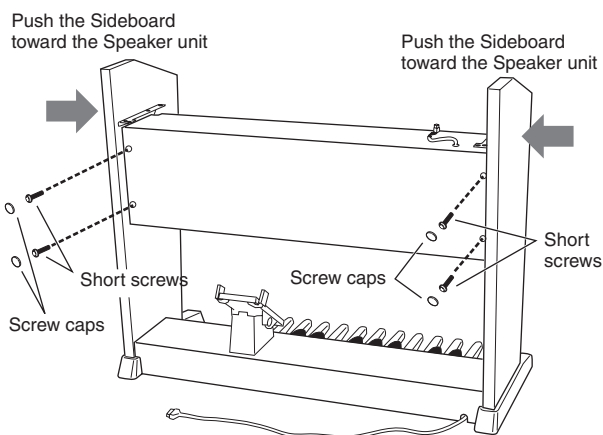
4-1 Remove the Grill Net from the Speaker Unit.



4-2 With the help of another person, hold the Speaker unit horizontally, and slide it from the rear into place along the brackets.

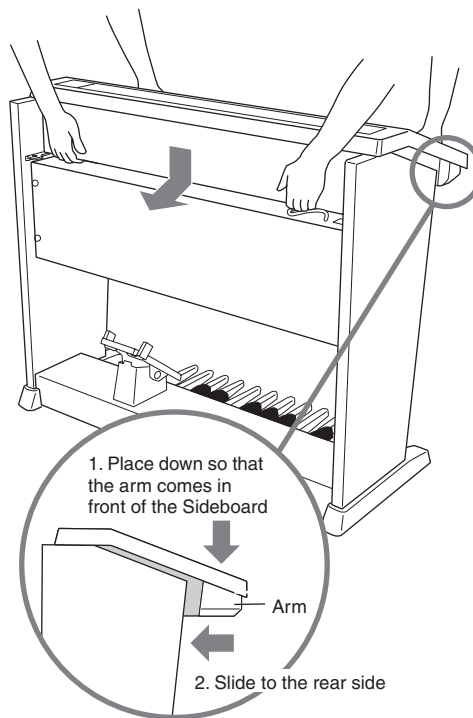


4-3 While holding the Sideboard(s) to the Speaker unit, fasten the four short screws from the rear, to secure the Speaker unit to the Sideboards. Cover the four screw holes on the rear side with the corresponding screw caps.



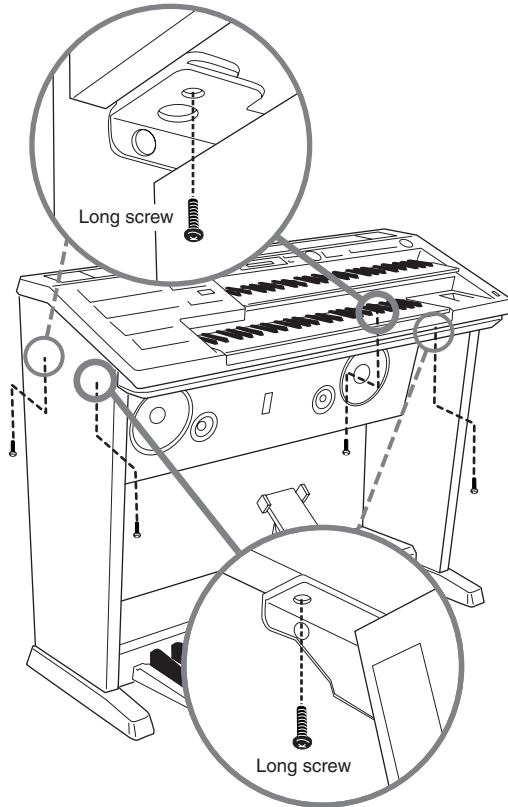
5 Mount the Main Unit.

5-1 As shown in the illustration, hold the Main unit horizontally (with two people), and place it on the front side of the Speaker unit so that the arm at the bottom of the Main unit comes in front of the Sideboards, then slide it to the rear side.



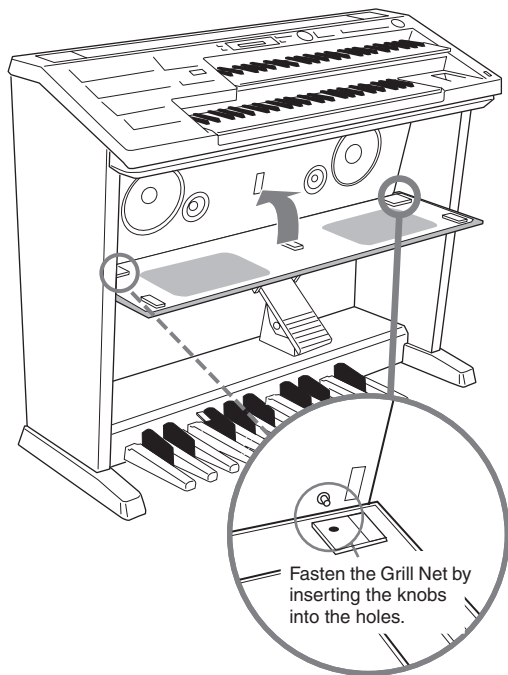
! Take care not to drop the Main unit or to pinch your finger(s) between the Speaker unit and Main unit.

- 5-2** Use the four long screws to fasten the Main unit to the Sideboards as shown in the illustration.



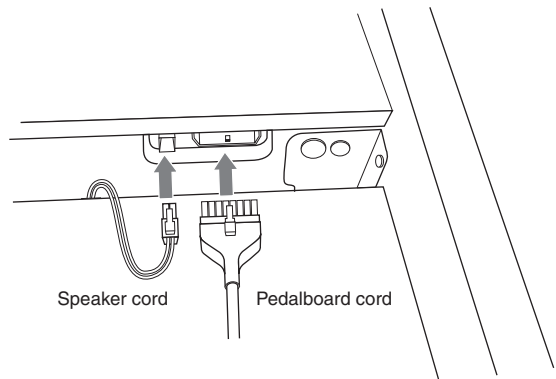
6 **Fit the Grill Net onto the Speaker.**

First, align the net with the bottom line, then secure it to the speaker assembly.



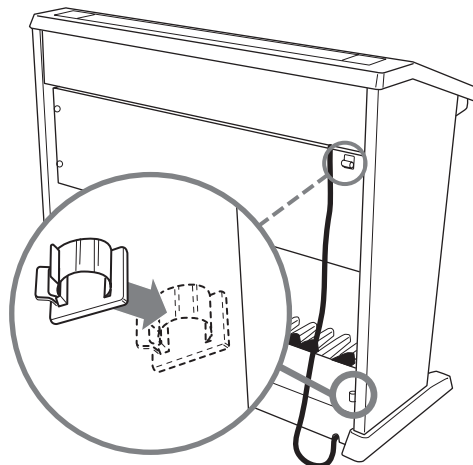
7 **Connect the Pedalboard cord and Speaker cord to the Main Unit.**

Make sure that the latches on each plug of the cords face toward you, and connect them to each socket securely.

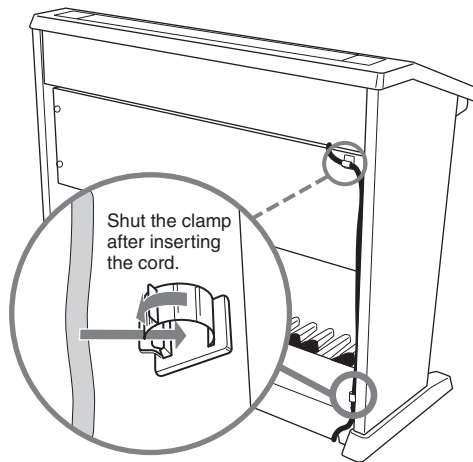


8 **Fix the Pedalboard cord to the Sideboard using the Pedalboard cord clamps.**

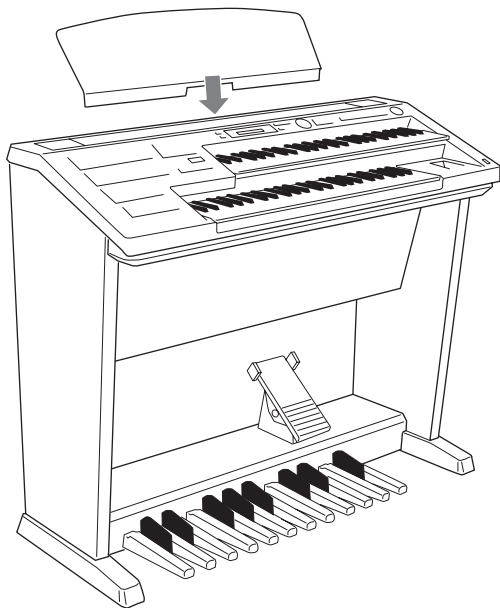
- 8-1** Affix the two Pedalboard cord clamps to the rear side of the Speaker unit and the lower inside of the Left Sideboard as shown in the illustration.



- 8-2** Insert the Pedalboard cord in the clamps.



9 Place the music rest on the Electone.



10 Turn on the Electone's power switch and confirm that the Electone can be played, and that the assembly is successful.

After completing the assembly, please check the following items.

- **Are there any parts left over?**
→ Review all assembly procedures.
- **Is the Electone clear of doors and other movable fixtures?**
→ Move the Electone to an appropriate location.
- **Does the Electone make a rattling noise when you shake it?**
→ Tighten all screws.
- **Can the Electone be turned on?**
→ Confirm that the AC power cord plug is securely connected to an appropriate power outlet.
- **Does the Electone produce sounds?**
→ Confirm that the Speaker cord plug and the Pedalboard cord plug are securely connected to each socket on the Main unit.

If the Electone creaks or is otherwise unsteady when you play on the keyboard, refer to the assembly instructions and tighten all screws again.

BENCH ASSEMBLY

Turn the bench board over and put the legs in place, one by one, at the corners of the bench board, then tighten each nut using the included wrench. Be sure to put the washer between each leg and nut as shown.

