

Technics

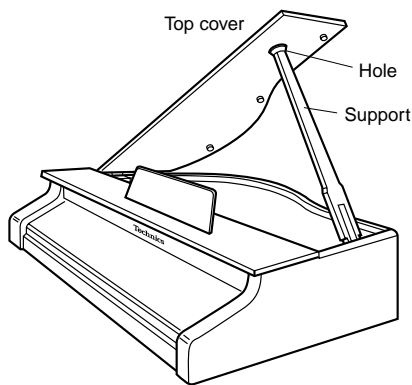
DIGITAL ENSEMBLE

SX-PR950

Thank you for purchasing the PR950. The PR950 is operated for the most part in the same way as the PR54, therefore read the included instructions. This booklet explains assembly, operation and specifications that differ from the PR54, therefore read it thoroughly.

How to open the top cover



You can open the cover and lift the support into an upright position.



Warning!

- The piano top cover is quite heavy, and when opening it, be sure to insert the support into the hole to secure the top cover in the open position. Be careful when closing the top cover not to catch fingers or clothing under the top cover or in the hinges.
- Children should be advised not to open or close the top cover, and should not be permitted to operate the piano without adult supervision.

The following mark and symbols are located on bottom of the unit.

	CAUTION RISK OF ELECTRIC SHOCK DO NOT OPEN	
<p>CAUTION: TO REDUCE THE RISK OF ELECTRIC SHOCK, DO NOT REMOVE SCREWS. NO USER-SERVICEABLE PARTS INSIDE. REFER SERVICING TO QUALIFIED SERVICE PERSONNEL.</p>		



The lightning flash with arrowhead symbol, within an equilateral triangle, is intended to alert the user to the presence of uninsulated "dangerous voltage" within the product's enclosure that may be of sufficient magnitude to constitute a risk of electric shock to persons.



The exclamation point within an equilateral triangle is intended to alert the user to the presence of important operating and maintenance (servicing) instructions in the literature accompanying the appliance.

Care and maintenance

■ Care of the finished surfaces

- To dust the piano, use a feather duster or wipe gently with a soft cloth.
- To avoid scratching the surface, refrain from applying too much pressure when dusting the piano.

Never use petroleum-based solvents such as thinner or benzene, and do not use chemically treated dust cloths, as these products will damage the finish of your piano.

■ Caution for use

- Do not place vinyl products, books with vinyl-treated covers, plastic erasers, etc., directly on the piano.
- Do not place vases or other containers of liquids on the piano.
- Please read the safety instructions on page 6 on Operating Instructions.

CAUTION:

This equipment has been tested and found to comply with the limits for a Class B digital device, pursuant to Part 15 of the FCC Rules. These limits are designed to provide reasonable protection against harmful interference in a residential installation. This equipment generates, uses and can radiate radio frequency energy and, if not installed and used in accordance with the instructions, may cause harmful interference to radio communications. However, there is no guarantee that interference will not occur in a particular installation. If this equipment does cause harmful interference to radio or television reception, which can be determined by turning the equipment off and on, the user is encouraged to try to correct the interference by one or more of the following measures:

- Reorient or relocate the receiving antenna.
- Increase the separation between the equipment and receiver.
- Connect the equipment into an outlet on a circuit different from that to which the receiver is connected.
- Consult the dealer or an experienced radio/TV technician for help.

Any unauthorized changes or modifications to this equipment would void the user's authority to operate this device.

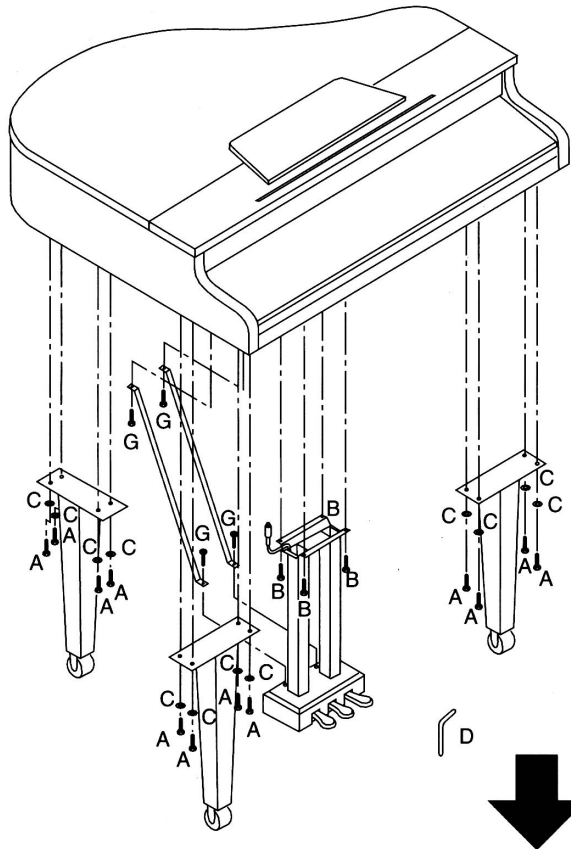
This device complies with Part 15 of the FCC Rules. Operation is subject to the following two conditions: (1) This device may not cause harmful interference, and (2) this device must accept any interference received, including interference that may cause undesired operation.

Marking sign is located on bottom of the unit.

Assembly

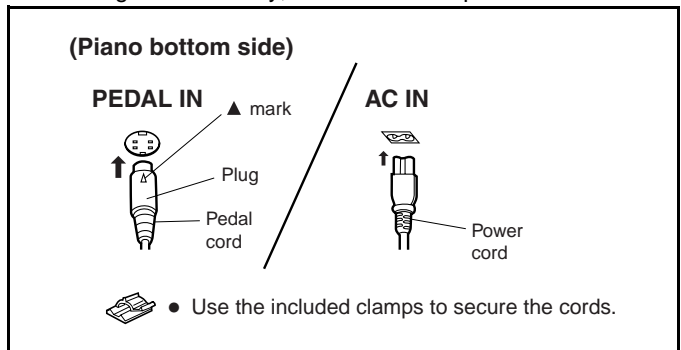
Follow the steps below to assemble your Technics piano. Make sure you are using the correct parts and that they are in the correct direction.

- At least 2 people are required for assembly.
- To disassemble the piano, reverse the procedure.



- A: Black screws (long)..... 12
- B: Black screws (short)..... 4
- C: Washers 12
- D: #4 Hexagonal key 1
- G: Brass-colored screws..... 4

- Following the assembly, connect the respective cords.



- Place the insulators (included) under the casters, positioning the Technics Piano in the desired location.
- Use the adjusters to make the pedal unit secure.

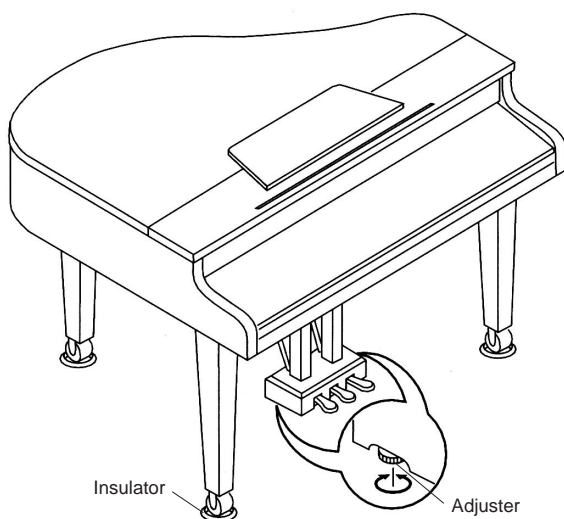
Caution

If the Technics Piano is to be moved, be sure to first shorten the adjusters in order to prevent pedal unit damage and scratching the floor.

Confirm

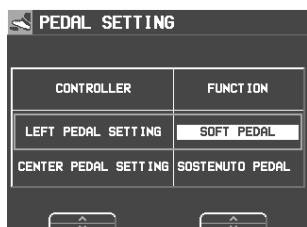
After assembling, check these points.

- Are any parts left over?
 - Check the assembly procedure again.
- Does the piano rattle when it is rocked?
 - Make sure all the screws are securely tightened.
- Is the power cord firmly inserted?
 - Check again.
- Is the plug of the pedal cord inserted as far into the connector terminal as it will go?
 - If it is not completely inserted, the sustain and other pedal functions may not work.
- Does the pedal box move when the pedals are pressed?
 - Turn the adjuster to stabilize the pedal box.
- When the piano has been moved or transported, retighten the screws securely.



Operations

- **The Sostenuto (CENTER) pedal is added.**
- About the Sostenuto pedal, refer to page 121 on the Operating Instructions.
- Step 2 of the PEDAL SETTING is different from the PR54.
(page 121 on the Operating Instructions.)



2. Use the ▲ and ▼ buttons to select pedal, and the ^ and v buttons to select its function.

- **There is no USB terminal. (page 134 on the Operating Instructions.)**
- CD-ROM is not included.
- Also, there is no DIGITAL NETWORKING USB demo performance (page 15 on the Operating Instructions.) and COMPUTER CONNECTION (MIDI) function. (page 134 on the Operating Instructions.)

Specifications

		SX-PR950
KEYBOARD		88 KEYS
SOUND GENERATOR		PCM
MAX. POLYPHONY		64 NOTES
SOUNDS	NUMBER OF SOUNDS	1025 SOUNDS (990 SOUNDS + 2 ORGAN DRAWBARS + 33 DRUM KITS)
	PIANO GROUP	GRAND, UPRIGHT, ELECTRIC, MODERN
	SOUND GROUP	STRINGS, VOCAL, GUITAR & HARPSI, BRASS, SAX & WOODWIND, ORGAN & ACCORDION, SYNTH, BASS, Mallet & ORCH PERC, WORLD, PIANO MIXTURES, ORCH MIXTURES, DIGITAL DRAWBARS, DRUM KITS, SOUND EXPLORER
SIMPLE PIANO		○
FAVORITES		○
PEDAL		DAMPER, SOFT*, SOSTENUTO* (*PROGRAMMABLE)
PROGRESSIVE PIANIST		○
TOUCH SENSITIVITY		○
EFFECT		DIGITAL EFFECT, MULTI EFFECT, REVERB, CHORUS, BRILLIANCE
CONDUCTOR		RIGHT 1, RIGHT 2, LEFT
TRANPOSE		±12 NOTES
RHYTHMS	NUMBER OF RHYTHMS	128 RHYTHMS × 4 VARIATIONS
	RHYTHM GROUP	POP, ROCK, FUNK & SOUL, DISCO, POP BALLAD, BALLAD, BALLROOM & SHOW, 8BEAT, 16BEAT, USA, WALTZ & TRAD, JAZZ & SWING, LATIN & WORLD
METRONOME		○
CONTROLS		MAIN VOLUME, APC/SEQUENCER VOLUME, BALANCE, MUTE, START/STOP, INTRO & ENDING 1, INTRO & ENDING 2, FILL IN 1, FILL IN 2, COUNT INTRO, SYNCHRO & BREAK, TEMPO/PROGRAM, TAP TEMPO, FADE IN/OUT, SPLIT POINT
AUTO PLAY CHORD		MODE: BASIC, ADVANCED 1, ADVANCED 2, PIANIST MEMORY, ON BASS, CHORD FINDER, LEFT HOLD

	SX-PR950
MUSIC STYLE ARRANGER	○
SOUND ARRANGER	○
PIANO STYLIST	○
ONE TOUCH PLAY	○
TECHNI-CHORD	○
PANEL MEMORY	3 BANKS × 8
SEQUENCER	16 TRACKS RESOLUTION: 1/96 PER BEAT STORAGE CAPACITY: APPROX. 40000 NOTES (10 SONGS MAX.) INPUT MODES: EASY RECORD, REALTIME RECORD, STEP RECORD FUNCTIONS: RECORD & EDIT, COPY & PASTE, RANGE EDIT
COMPOSER	8 PARTS: BASS, ACCOMP 1 – 5, DRUMS 1, 2 STORAGE CAPACITY: APPROX. 13000 NOTES INPUT MODES: REALTIME RECORD, STEP RECORD FUNCTIONS: EASY COMPOSER, PATTERN COPY, SEQ TO COMPOSER COPY, LOAD SINGLE COMPOSER MEMORY: 3 BANKS
DISK	3.5 inch DISK DRIVE for 2HD (1.44MB), 2DD (720KB) LOAD, SAVE, DIRECT PLAY, SONG MEDLEY, DISK TOOLS, PREFERENCES
SOUND	PART SETTING, MIXER, MASTAR TUNING, KEY SCALING, APC REVERB SETTING, TECHNI-CHORD, SOUND LOAD OPTION, SOUND ARRANGER
REVERB & EFFECT	MIC REVERB & EFFECT, TONE CONTROL, REVERB, CHORUS, MULTI, SOUND LOAD OPTION, MIXER
CUSTOMIZE	DISPLAY TIMEOUT, DATA PROTECTION, FAVORITES SETTING, MIDI SETTING LOAD OPTION, LANGUAGE SETTING, DISK PREFERENCES
CONTROL	INITIAL, PEDAL SETTING, PANEL MEMORY MODE, MUSIC STYLE ARRANGER MODE, FADE IN/OUT SETTING
SOUND EDIT	EASY EDIT, TONE, PITCH, FILTER, AMPLITUDE, LFO, EFFECT, CONTROLLER MEMORY: 40, 1 USER DRUM KIT
MIDI	PART SETTING, CONTROL MESSAGES, REALTIME MESSAGES, COMMON SETTING, INPUT/OUTPUT SETTING, MIDI PRESETS, MODE SETTING
DISPLAY	LCD: PAGE, CONTRAST, EXIT, DISPLAY HOLD, OTHER PARTS/TR
HELP	○
DEMO	○
TERMINALS	PHONES × 2, LINE OUT (R/MONO,L), AUX IN (R/MONO,L) MIDI (IN, OUT), PEDAL IN, MIC (VOLUME)
OUTPUT	80 W (40 W × 2)
SPEAKERS	14 cm × 2, 6.5 cm × 2
POWER REQUIREMENT	110 W AC120V 60 Hz (NORTH AMERICA AND MEXICO)
DIMENSIONS (W × H × D)	141cm × 150 cm × 97 cm (55-1/2" × 59-1/16" × 38-3/16")
NET WEIGHT	98 kg (216.1 lbs)
ACCESSORIES	AC CORD, INSULATOR × 3, CLOTH, POLISH

- Design and specifications are subject to change without notice.