



Panasonic[®]

DIGITAL PIANO

SX-NP10



Before connecting, operating or adjusting this product, please read these instructions completely. Please keep this manual for future reference.

OWNER'S MANUAL

WARNING:

TO REDUCE THE RISK OF FIRE, ELECTRIC SHOCK OR PRODUCT DAMAGE, DO NOT EXPOSE THIS APPARATUS TO RAIN, MOISTURE, DRIPPING OR SPLASHING AND THAT NO OBJECTS FILLED WITH LIQUIDS, SUCH AS VASES, SHALL BE PLACED ON THE APPARATUS

(for U S A and Canada)

CAUTION:

TO PREVENT ELECTRIC SHOCK MATCH WIDE BLADE OF PLUG TO WIDE SLOT, FULLY INSERT

VAROITUS:

TULIPALO-, SAHKOISKUVAAARAN TAI TUOTETTA KOHTAAVAN MUUN VAHINGON VAHENTAMISEKSI EI LAITETTA SAA ALTISTAA SATEELLE, KOSTEUEDELLE, VESIPISAROILLE TAI ROISKEELLE, EIKA NESTETTA SISALTAVIA ESINEITA, KUTEN ESIMERKIKSI MALJAKOITA, SAA ASETTAA LAITTEEN PAALLE

ADVARSEL:

FOR Å REDUSERE FAREN FOR BRANN, ELEKTRISK STØT ELLER SKADER PÅ PRODUKTET, MÅ DETTE APPARATET IKKE UTSETTES FOR REGN, FUKTIGHET, VANNDRÅPER ELLER VANNSPRUT. DET MÅ HELLER IKKE Plasseres GJENSTANDER FYLT MED VANN, SLIK SOM BLOMSTERVASER, OPPÅ APPARATET

THE FOLLOWING APPLIES ONLY
IN THE U S A AND CANADA



CAUTION

RISK OF ELECTRIC SHOCK
DO NOT OPEN



CAUTION

TO REDUCE THE RISK OF ELECTRIC SHOCK, DO NOT REMOVE SCREWS
NO USER-SERVICEABLE PARTS INSIDE
REFER SERVICING TO QUALIFIED SERVICE PERSONNEL



The lightning flash with arrow-head symbol, within an equilateral triangle, is intended to alert the user to the presence of uninsulated "dangerous voltage" within the product's enclosure that may be of sufficient magnitude to constitute a risk of electric shock to persons



The exclamation point within an equilateral triangle is intended to alert the user to the presence of important operating and maintenance (servicing) instructions in the literature accompanying the appliance

VARNING:



FOR ATT MINSKA RISKEN FOR ELDSVÅDA, ELEKTRISKA STOTAR OCH SKADOR PÅ PRODUKTEN FÅR DEN INTE UTSATTAS FOR REGN, FUKTIGHET, VATTENDROPPAR ELLER VATTENSTANK, OCH INGA FOREMÅL SOM AR FYLLDA MED VATTEN, SÅ SOM VASER, BOR PLACERAS PÅ APPARATEN

THIS UNIT IS INTENDED FOR USE IN TROPICAL CLIMATES
DENNA ENHET AR AVSEDD FOR ANVANDNING PÅ PLATSER MED TROPISKT KLIMAT
TAMA LAITE ON TARKOITETTU KAYTETTAVAKSI TROOPPISESSA ILMASTOSSA
DETTE APPARATET ER BEREGNET TIL BRUK UNDER TROPISKE KLIMAFORHOLD

Caution for AC Main Lead

(For United Kingdom)
(For the type as shown in figures A and B)

For your safety, please read the following text carefully

This appliance is supplied with a moulded three pin mains plug for your safety and convenience. A 5-ampere fuse is fitted in this plug. Should the fuse need to be replaced please ensure that the replacement fuse has a rating of 5-ampere and that it is approved by ASTA or BSI to BS1362. Check for the ASTA mark  or the BSI mark  on the body of the fuse.

If the plug contains a removable fuse cover you must ensure that it is refitted when the fuse is replaced. If you lose the fuse cover the plug must not be used until a replacement cover is obtained. A replacement fuse cover can be purchased from your local dealer.

CAUTION!

IF THE FITTED MOULDED PLUG IS UNSUITABLE FOR THE SOCKET OUTLET IN YOUR HOME THEN THE FUSE SHOULD BE REMOVED AND THE PLUG CUT OFF AND DISPOSED OF SAFELY. THERE IS A DANGER OF SEVERE ELECTRICAL SHOCK IF THE CUT OFF PLUG IS INSERTED INTO ANY 13-AMPERE SOCKET.

If a new plug is to be fitted please observe the wiring code as stated below. If in any doubt please consult a qualified electrician.

IMPORTANT

The wires in this mains lead are coloured in accordance with the following code:
Blue Neutral, Brown Live

As these colours may not correspond with the coloured markings identifying the terminals in your plug, proceed as follows:

The wire which is coloured Blue must be connected to the terminal which is marked with the letter N or coloured Black or Blue.

The wire which is coloured Brown must be connected to the terminal which is marked with the letter L or coloured Brown or Red.

WARNING DO NOT CONNECT EITHER WIRE TO THE EARTH TERMINAL WHICH IS MARKED WITH THE LETTER E, BY THE EARTH SYMBOL \perp OR COLOURED GREEN OR GREEN/ YELLOW

**THIS PLUG IS NOT WATERPROOF
—KEEP DRY**

Before use

Remove the connector cover

How to replace the fuse

The location of the fuse differs according to the type of AC mains plug (figures A and B). Confirm the AC mains plug fitted and follow the instructions below. Illustrations may differ from actual AC mains plug.

1 Open the fuse cover with a screwdriver

Figure A

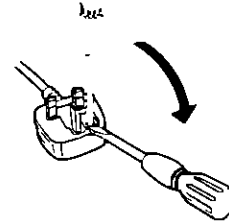
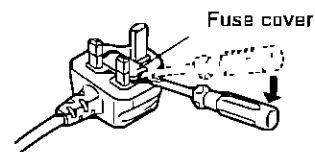


Figure B



2 Replace the fuse and close or attach the fuse cover

Figure A

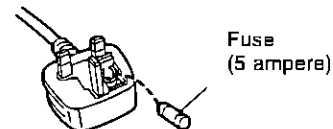
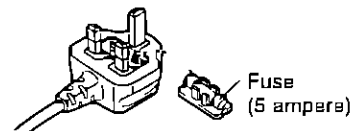


Figure B



IMPORTANT SAFETY NOTICE

• RADIO FREQUENCY INTERFERENCE STATEMENT

Class B Digital Device/Information Technology Equipment

Note:

This equipment has been tested and found to comply with the limits for a Class B digital device, pursuant to Part 15 of the FCC Rules. These limits are designed to provide reasonable protection against harmful interference in a residential installation. This equipment generates, uses and can radiate radio frequency energy and, if not installed and used in accordance with the instructions, may cause harmful interference to radio communications. However, there is no guarantee that interference will not occur in a particular installation. If this equipment does cause harmful interference to radio or television reception, which can be determined by turning the equipment off and on, the user is encouraged to try to correct the interference by one or more of the following measures:

- Reorient or relocate the receiving antenna
- Increase the separation between the equipment and receiver
- Connect the equipment into an outlet on a circuit different from that to which the receiver is connected
- Consult the dealer or an experienced radio/TV technician for help

FCC Warning

To assure continued FCC emission limit compliance, use only the provided AC Adaptor, the proper power supply cord and the shielded interface cable when connecting this device to the computer. Also, any unauthorized changes or modifications to this equipment would void the user's authority to operate this device.

This device complies with Part 15 of the FCC Rules.

Operation is subject to the following two conditions:

- (1) This device may not cause harmful interference, and
- (2) this device must accept any interference received, including interference that may cause undesired operation.

Responsible Party **Matsushita Electric Corporation of America**
One Panasonic Way
Secaucus, NJ, 07094 USA
Telephone No. 1-800-211-7262

The model number and serial number are found underneath the keyboard. Please note the model and serial numbers in the space provided below and retain this sheet as a permanent record of your purchase to aid identification in the event of theft.

MODEL NUMBER _____

SERIAL NUMBER _____

Cautions for safest use of this unit

Installation location

- 1 A well-ventilated place
Take care not to use this unit in a place where it will not receive sufficient ventilation, and not to permit the ventilation holes to be covered by curtains, or any similar materials
- 2 Place away from direct sunlight and excessive heat from heating equipment
- 3 A place where humidity, vibration and dust are minimized

Power source

- 1 Be sure the line voltage selector is in accordance with local voltage in your area before connecting the plug to the socket
- 2 DC power cannot be used

Handling the power cord

- 1 Never touch the power cord, or its plug, with wet hands
- 2 Don't pull the power cord

Metal items inside the unit may result in electric shock or damage.

Do not permit metal articles to get inside the unit

Be especially careful with regard to this point if children are near this unit. They should be warned never to try to put anything inside.

If, nevertheless, some such article does get inside, disconnect the power cord plug from the electrical outlet, and contact the store where the unit was purchased.

If water gets into the unit

Disconnect the power cord plug from the electrical outlet, and contact the store where it was purchased.

As a precaution, it is suggested that flower vases and other containers which hold liquids not be placed on the top of this unit.

• This product may receive radio interference caused by mobile telephones during use. If such interference is apparent, please increase separation between the product and the mobile telephone.

If operation seems abnormal

Immediately turn off the power, disconnect the power cord plug from the electrical outlet, and contact the store where it was purchased.

Discontinue using the unit at once. Failure to do so may result in additional damage or some other unexpected damage or accident.

• Because the power source is located inside the unit, it is normal for the cabinet to become warm.

A word about the power cord

If the power cord is scarred, is partially cut or broken, or has a bad contact, it may cause a fire or serious electrical shock if used. NEVER use a damaged power cord for any appliance. Moreover, the power cord should never be forcibly bent.

Don't touch the inside parts of this unit.

Some places inside this unit have high voltage potential. Never try to remove the top or back panels of this unit, or to touch inside parts by hand or with tools.

Contact someone who is qualified in order to inspect the inside, or to replace a fuse, if such becomes necessary. Never attempt to do these things yourself.

Maintenance

The following suggestions will assist you in keeping the unit in top condition.

- Be sure to switch the instrument off after use, and do not switch the unit on and off in quick succession, as this places an undue load on the electronic components.
- To keep the luster of the surface and buttons, simply use a clean, damp cloth, polish with a soft, dry cloth. Polish may be used but do not use thinners or petrochemical-based polishes.
- A wax-based polish may be used on the cabinet, although you will find that rubbing with a soft cloth will suffice.

• **SVENSK** Del kan inträffa att den här produkten under användningen tar emot radios störningar, orsakade av mobiltelefoner. Öka avståndet mellan produkten och mobiltelefonen om störningarna är uppenbara.

**SERVICE MUST BE CARRIED OUT BY DEALER
OR OTHER QUALIFIED PERSON**

IMPORTANT SAFETY INSTRUCTIONS

Read these operating instructions carefully before using the unit. Follow the safety instructions on the unit and the safety precautions listed below. Keep these operating instructions handy for future reference.

Safety

- 1. Power Source**—Connect the unit to a power source of the type described in these instructions or as marked on the unit.
- 2. Polarization**—The unit is equipped with a polarized power plug where one blade is wider than the other. This safety feature ensures that the plug fits into your household AC outlet only one way. If the plug doesn't fit one way, try reversing it. If the plug still doesn't fit, contact an electrician to replace the obsolete outlet. Do not attempt to defeat the safety purpose of the plug.
- 3. Power Cord protection**—Route the AC power supply cord so that it will not be walked on or pinched by items placed on or against it. Never take hold of the plug or cord with wet hands. Always grasp the plug body firmly when connecting and disconnecting it.
- 4. Overloading**—When connecting the AC power supply cord, be careful not to overload the household AC outlet, extension cord, or outlet from any other device as this can result in fire or electric shock.
- 5. Nonuse periods**—Turn the unit off when it is not in use. Unplug the unit from the household AC outlet if it is not to be used for a long time. Unplug the unit during lightning storms.
- 6. Attachments and accessories**—Use only the attachments and accessories recommended in these operating instructions.

Installation

Placement

- 1. Ventilation**—Situate the unit so that it receives proper ventilation. Do not install in a confined space such as a bookcase or cabinet. Allow at least 10 cm (4 inches) clearance from the rear of the unit. To prevent the risk of electric shock or fire due to overheating, ensure curtains and other materials do not obstruct the unit's ventilation.
- 2. Foreign material**—Ensure objects and liquids do not get into the unit. Avoid exposing the unit to excessive smoke, dust, mechanical vibration, and shock.
- 3. Magnetism**—Situate the unit away from equipment and devices that generate strong magnetic fields.
- 4. Stacking**—Do not place heavy objects on top of this unit.
- 5. Surface**—Place the unit on a flat, level surface.

- 6. Carts and stands**—Use the unit only with carts and stands recommended by the manufacturer. Move carts with care. Sudden stops, excessive force, and uneven surfaces can cause carts to overturn.



- 7. Wall and ceiling mounting**—Do not mount the unit on walls or ceilings unless specified in the instructions.

Environment

- 1. Water and moisture**—Do not use the unit near water, such as near a bathtub or swimming pool. Avoid damp basements.
- 2. Heat**—Situate the unit away from heat sources, such as radiators. Do not situate where temperatures fall below 5°C (41°F) or rise above 35°C (95°F).

Maintenance

(See page 5 for details.)

- Unplug the unit from the household AC outlet before cleaning.
- Clean with a damp cloth.
- Do not use abrasive pads, scouring powders, or solvents.

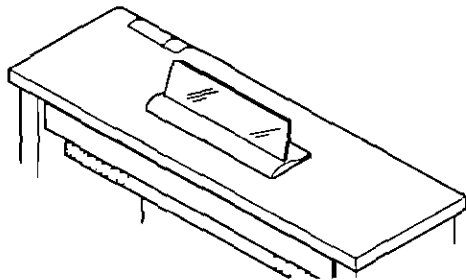
Service

- 1. Damage Requiring Service**—The unit should be serviced by qualified service personnel if:
 - (a) The AC power supply cord or the plug has been damaged, or
 - (b) Objects or liquids have gotten into the unit, or
 - (c) The unit has been exposed to rain, or
 - (d) The unit does not operate normally or exhibits a marked change in performance, or
 - (e) The unit has been dropped or the cabinet damaged.
- 2. Servicing**—Do not attempt to service the unit beyond that described in these operating instructions. Refer all other servicing to authorized servicing personnel.
- 3. Replacement parts**—When parts need replacing, ensure the servicer uses parts specified by the manufacturer or parts that have the same characteristics as the original parts. Unauthorized substitutes may result in fire, electric shock, or other hazards.
- 4. Safety check**—After repairs or service, ask the servicer to perform safety checks to confirm that the unit is in proper working condition.

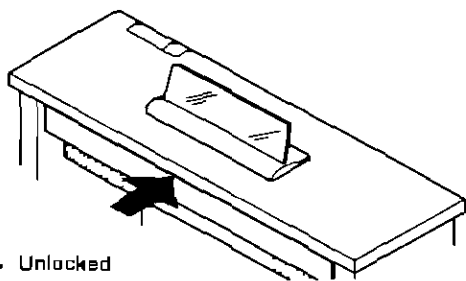
Getting started

Before you play

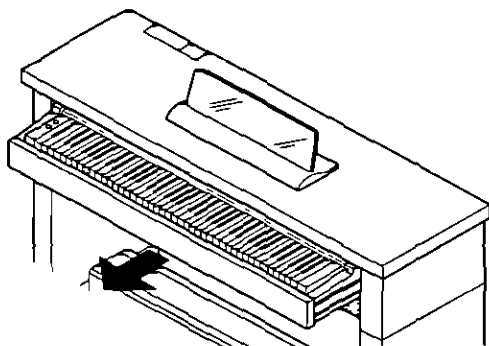
- 1 Plug the power cord into an outlet
- 2 Set up the music stand (included)
 - To set up the music stand, insert the transparent board in the groove and position it so that it is easy to read the music score



- 3 Push the middle of keyboard section back until it clicks into place



- 4 With your hand beneath the middle of the keyboard section, slowly pull it towards you until it clicks into place



- After pulling, gently push the middle of the keyboard section away from you to confirm that it is locked into place
- When stowing the keyboard section, pull it slightly towards you until a click is heard, and then slowly push it back (away from you) until a click is heard

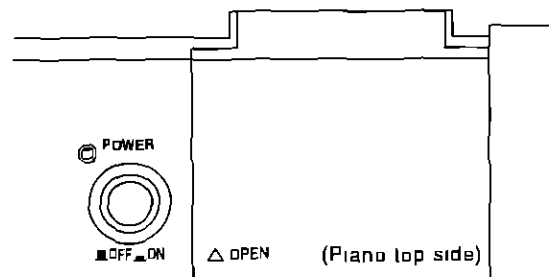
CAUTION

- Take care not to pinch your fingers when opening and closing the keyboard section
- Do not hold the upper side of the keyboard section when opening or closing it. To avoid pinching your fingers, be sure to hold only the underside



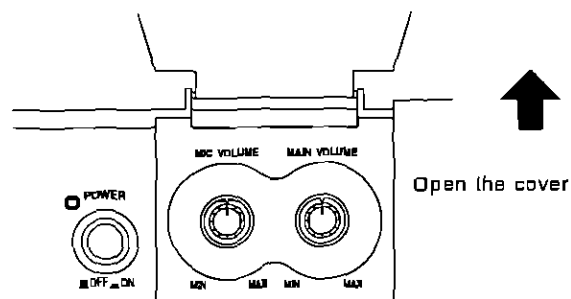
- To avoid pinching your fingers, do not touch the rails to the left and right of the keyboard section
- Do not sit on or hang from the keyboard section, as doing so may cause it to fall over
- Do not place heavy objects on the keyboard section. Also, opening or closing the keyboard section with force may cause anything placed on the instrument to fall, open and close it gently

- 5 Turn on the **POWER** switch



- The indicator lamp lights up when power is on
- You can now play the keyboard for a piano performance

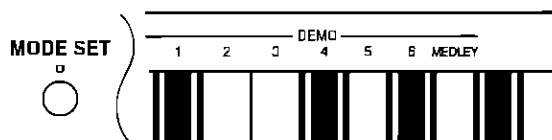
- 6 Adjust the loudness with the **MAIN VOLUME** control



- A commercially sold microphone can be connected to the **MIC** terminal (refer to page 10). Adjust the volume with the **MIC VOLUME** control

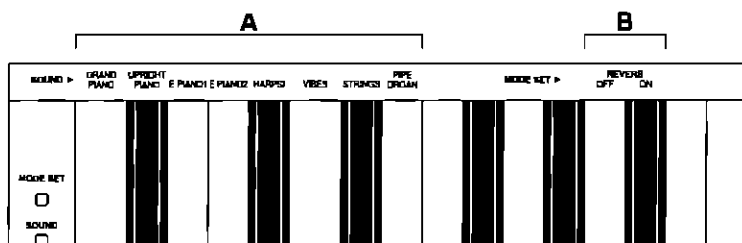
Listen to the demonstration.

⇒ While pressing the **MODE SET** button (to the left of keyboard), press one of the keyboard keys that corresponds to an indicated **DEMO** number



- The list of demo songs is on page 14
- **MEDLEY** A medley of all the tunes
- To discontinue the demonstration while it is playing, press the **MODE SET** button
- The **MEDLEY** will repeat continuously until the **MODE SET** button is pressed
- The indicator for the **MODE SET** button flashes during the demonstration performance

Operation



A. Change the sound

⇒ While pressing the **SOUND** button, press one of the keyboard keys that corresponds to an indicated **SOUND** name

- Alternatively, each time you press the **SOUND** button, the sound changes to the one indicated to the right of the sound that is currently active (If **PIPE ORGAN** is the currently active sound, the sound will change to **GRAND PIANO**)
- In the initialized state (the settings in effect when the instrument is turned on), the **GRAND PIANO** sound is selected

■ Mix two sounds

⇒ To mix two different sounds, while pressing the **SOUND** button, press the two keys for the desired sounds

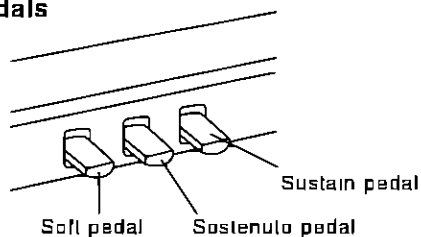
- Both sounds are produced when you play a key

B. Add reverb

⇒ While pressing the **MODE SET** button, press the keyboard key that corresponds to **REVERB OFF** or **ON**

- When the **MODE SET** button is pressed, its indicator flashes
- In the initialized state, the setting is **ON**, and reverb is added to the sound

Pedals



Sustain pedal

The sound fades gradually after the keys are released

Sostenuto pedal

If the pedal is pressed while the keys are pressed, a sustain effect is applied to those notes only

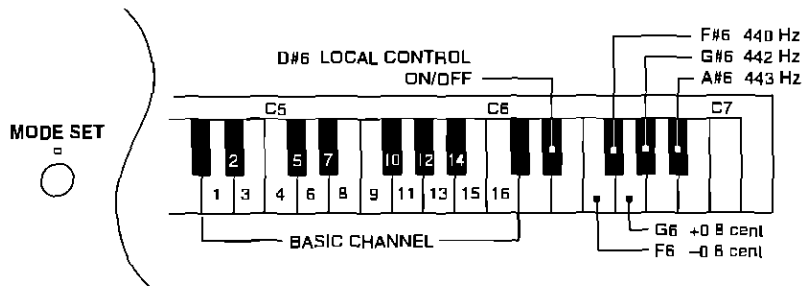
Soft pedal

The tones are softened, and the volume is slightly lower

Mode Setting

While the **MODE SET** button is depressed, the keys indicated in the illustration below are used for setting the functions

- ⇒ Keep the **MODE SET** button depressed while following the procedures below
- When the **MODE SET** button is released, the function-setting mode is canceled, and the keys return to the performance mode



- If the left pedal is depressed during function-setting, even if you release the **MODE SET** button, the function-setting mode remains active
- During function-setting, the indicator for the **MODE SET** button is lit. When you press a key to select a setting, the indicator flashes and a confirming beep is heard
- All settings revert to their factory-preset settings when the power is turned off

Tuning (adjust the pitch)

You can adjust the pitch of this instrument when you are playing together with other instruments

- ⇒ Press F#6 to set the pitch to 440 Hz (initial setting)
- ⇒ Press G#6 to set the pitch to 442 Hz
- ⇒ Press A#6 to set the pitch to 443 Hz

■ Fine tuning

- ⇒ Each time G6 is pressed, the pitch is raised by 0.8 cent
- ⇒ Each time F6 is pressed, the pitch is lowered by 0.8 cent
- If you attempt to raise the pitch above 452.7 Hz or lower it below 427.5 Hz, the confirming beep does not sound even when the key is pressed
- You can hold the G6 or F6 key down to change the pitch quickly. In this case, the **MODE SET** indicator changes from flashing to lit when the highest or lowest pitch is reached

Basic channel

Assign the MIDI basic channel

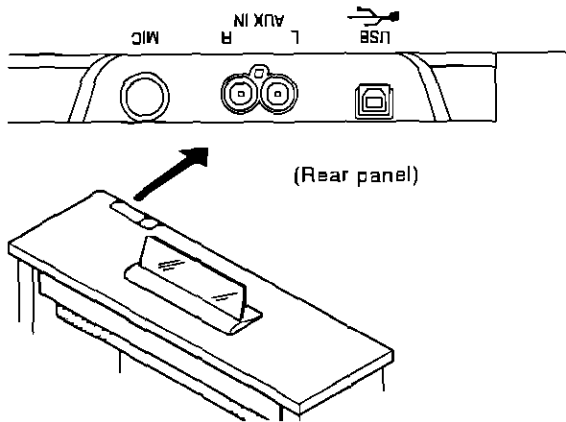
- ⇒ Press the key corresponding to the basic channel number (Refer to the illustration above)
- The default setting is channel 1
- When using the included "NP10 On Stage" software set the channel number to 1

Local control

This setting is for when this instrument is used as the master keyboard

- ⇒ The local control is switched between on (default) and off each time the D#6 key is pressed
- When the local control is set to off, the signals generated by the keys and pedals of this instrument are not sent to its sound generator, but are handled only as MIDI output (this instrument generates no sound)

Connections



MIC

A commercially sold microphone can be connected to this terminal

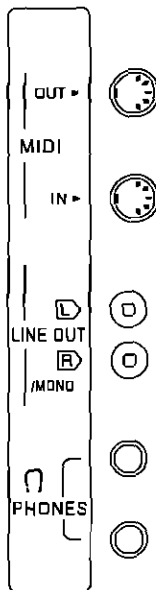
- Adjust the volume with the **MIC VOLUME** control

AUX IN

The terminal to input signals from the **LINE OUT** terminal of other equipment (RCA pin plug)

USB

The terminal to connect a personal computer to this instrument with a USB cable (Type AB, sold commercially) After installing the application software "NP10 On Stage" from the included CD-ROM in your computer, you can control this instrument with your computer, record your performance in your computer, etc., thus enhancing your enjoyment of this instrument (For information about installing the application, please refer to the separate Device Driver Installation manual provided)



(Beneath the main unit, on the left side)

PHONES x2

You can connect up to two sets of headphones (sold separately) (When headphones are connected, the instrument's speakers are disabled)

LINE OUT

The terminal to connect an external speaker system or the like, for outputting sound from this instrument (RCA pin plug)

- To output monaural sound, use the **R/MONO** terminal (In this case, do not connect anything to the L terminal)

MIDI IN

The terminal to receive MIDI data from other equipment

MIDI OUT

The terminal to send MIDI data to other equipment

- Use a commercially sold MIDI cable to connect MIDI equipment

Symptoms which appear to be signs of trouble

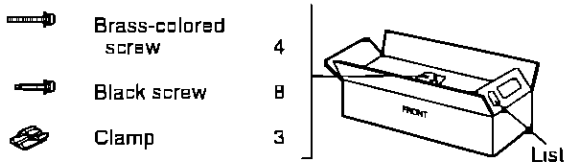
Phenomenon	Remedy
No sound is produced when the keyboard is	<ul style="list-style-type: none"> • No sound is produced if the MAIN VOLUME is set to MIN. Use the sliding control to set the volume to an appropriate level • If the MIDI LOCAL CONTROL is set to off, set it to on (refer to page 9)

Assembly

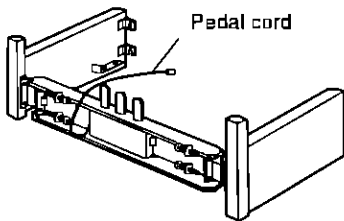
Follow the steps below to assemble your Technics piano. Make sure you are using the correct parts and that they are in the correct direction.

- At least 2 people are required for assembly
- To disassemble the piano, reverse the procedure

1 Remove the packing and take the parts out of the carton. Confirm that all the parts on the printed list are present.

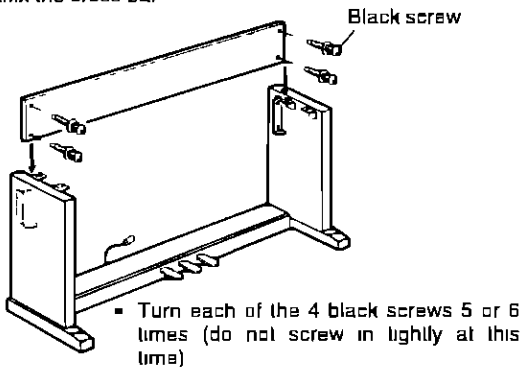


2 Affix the right and left side planks to the pedal box.



- (1) Use the 4 brass-colored screws to secure the planks.
- (2) Loosen the pedal cord, stowed on the inner side of the pedal box, and extend it.

3 Affix the cross bar.



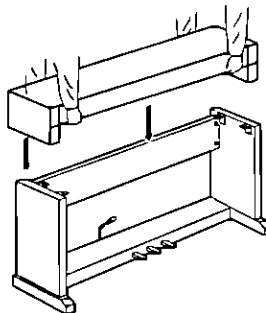
4 Place the piano body on the stand.

WARNING

Avoid pinching your fingers.

Note 1

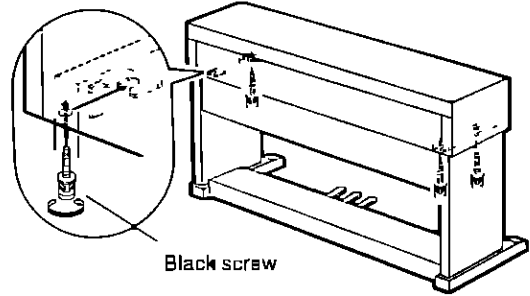
Holding the piano body at least 10 cm in from the edge, place it on the stand so that it does not fall off.



Note 2

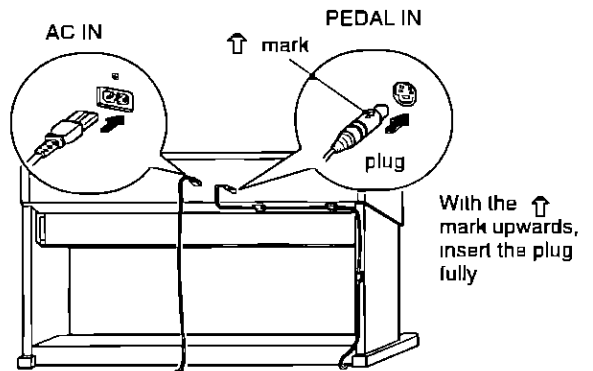
If the piano body is placed too far to the right or left, or to the front or back, it will become unstable.

5 Secure the piano body to the stand.



- (1) Insert 2 black screws in the 2 rear screw holes on the underside of the piano body, and turn each screw 5 or 6 times. Push the piano body forward so that the screws are fully inserted in the cutout of the metal piece on either side plank. (This enables you to easily position the piano body on the stand.)
- (2) Adjust the piano body so that it evenly aligns with the stand.
- (3) Positioning the piano body on the stand, confirm that the 4 black screws can easily be inserted.
- (4) Tighten the 4 screws.
- (5) Securely tighten the 4 black screws that affix the cross bar.

6 Connect the pedal cord and power cord to the terminals.



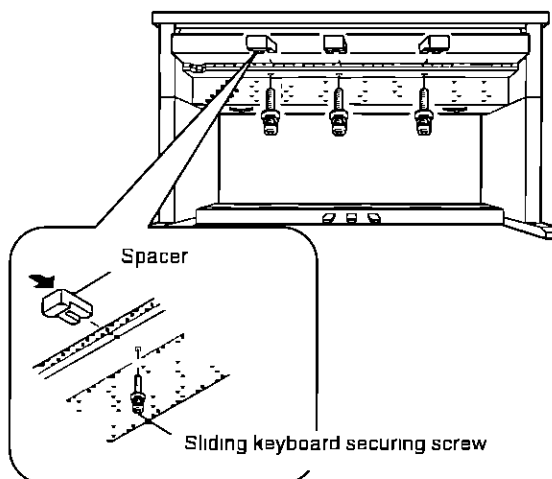
- (1) Plug the pedal cord and power cord into the terminals on the rear of the piano.
- (2) Remove the backing from the clamps and affix them as shown in the figure. Secure the pedal cord to the clamps.

■ Confirm: After assembling, check these points

- Are any parts left over?
→ Check the assembly procedure again
- Does the piano rattle when it is rocked?
→ Make sure all the screws are securely tightened
- Is the power cord firmly inserted?
→ Check again
- Is the plug of the pedal cord inserted as far into the connector terminal as it will go?
→ If it is not completely inserted, the sustain and other pedal functions may not work
- When the piano has been moved or transported, retighten the screws securely

■ After setting up

After assembling the instrument and positioning it in its intended place of use, remove the 3 gold screws and 3 spacers that secure the sliding keyboard



Note

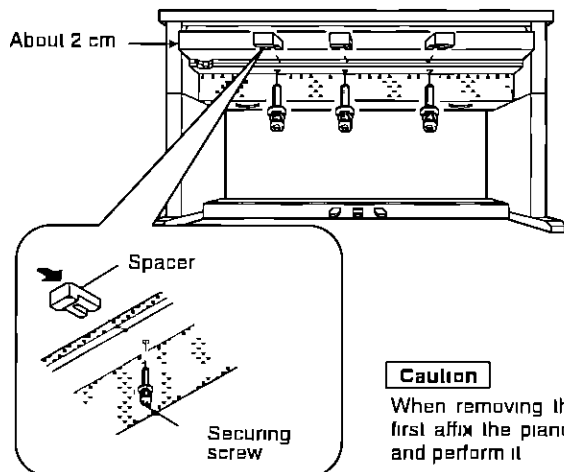
Please keep the securing screws and spacers in a safe place for use in the event of a future move

■ Caution when transporting this instrument

When transporting this instrument (during a move, for example), affix the special securing parts to the keyboard section

At this time, do not completely stow the keyboard section inside the main unit, but allow it to protrude about 2 cm towards the front, affixing it by following the procedure below

- (1) Place each of the three spacers so that they will be positioned in the gap between the screw and the panel
- (2) Partly screw in the 3 securing screws, making sure that each of the spacers is lightly held in place
- (3) Securely tighten each screw

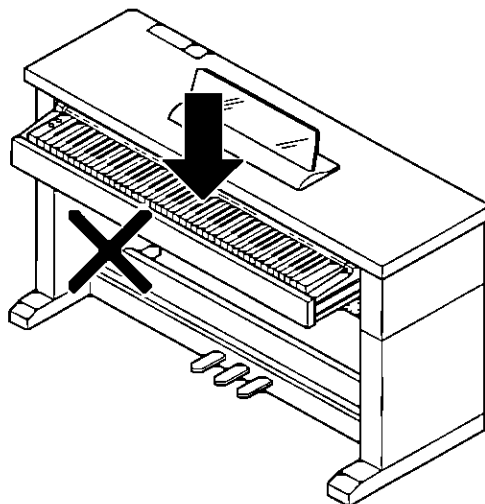


Caution

When removing the securing screws, first affix the piano body to the stand and perform it

■ Caution

Please do not sit on or hang from the keyboard section (If a strong force is applied, there is a danger of its falling)



MIDI Implementation Chart

Digital piano [SX-NP10]

Function		Transmitted	Recognized	Remarks
Basic Channel	Default Changed	— 1-16	1 1-16	
Mode	Default Messages Altered	3 x —	3 x —	
Note Number	True voice	21-108 —	0-127 0-127*	
Velocity	Note ON Note OFF	○ x (9nh v=0)	○ x	
After Touch	Key's Ch's	x x	x x	
Pitch Bend		x	x	
Control Change	64 66 67 74	○ ○ ○ x	○ ○ ○ ○	sustain pedal sostenuto pedal soft pedal brilliance
Prog Change	True #	○ —	○ 1-128	8 built-in sounds arranged in GM map
System Exclusive		○	○	
System Common	Song Pos Song Sel Tune	x x x	x x x	
System Real Time	Clock Commands	x x	x x	start/stop, continue
Aux Messages	Local ON/OFF All Notes OFF Active Sense Reset	x x ○ x	○ ○ ○ x	
Notes	*Depends on the TRANSPOSE setting			

Mode 1
Mode 3

OMNI ON, POLY
OMNI OFF, POLY

Mode 2
Mode 4

OMNI ON, MONO
OMNI OFF, MONO

○ Yes
x No

Specifications

	SX-NP10
KEYBOARD	88 KEYS (WITH TOUCH RESPONSE)
SOUND GENERATOR	PCM
MAX POLYPHONY	32 NOTES
SOUND	8 SOUNDS GRAND PIANO, UPRIGHT PIANO, E PIANO 1, E PIANO 2, HARPSI, VIBES, STRINGS, PIPE ORGAN
PEDALS	SUSTAIN, SOFT, SOSTENUTO
FUNCTIONS	MAIN VOLUME, MIC VOLUME, DEMO, TUNING, REVERB, BASIC CHANNEL, LOCAL CONTROL
TERMINALS	PHONES x 2, MIDI (IN, OUT), AUX IN (R, L), LINE OUT (R/MONO, L), MIC, USB
OUTPUT	80 W (40 W x 2)
SPEAKERS	14 cm x 2
POWER REQUIREMENT	85 W/110 W (NORTH AMERICA AND MEXICO) AC 120/220/240 V 50/60 Hz AC 120V 60 Hz (NORTH AMERICA AND MEXICO) AC 230-240V 50/60 Hz (EUROPE, AUSTRALIA, NEW ZEALAND, SINGAPORE AND PHILIPPINES)
DIMENSIONS (WxHxD)*	142.3 cm x 98.7 cm x 55.9 cm (56-1/32" x 38-27/32" x 22") D 45.1 cm (17-3/4") when the keyboard section is closed
NET WEIGHT	58 kg (127.9 lbs)
ACCESSORIES	MUSIC STAND, AC CORD, CD ROM

* Including the music stand

- Design and specifications are subject to change without notice

DEMO Songs

No	TITLE	COMPOSER
1	Amazing Grace	traditional
2	Arabeske Op 18	Schumann
3	Beautiful Dreamer	Foster
4	Panasonic Original	
5	Swannee River	traditional
6	Danny Boy	traditional

■ **Supplied accessory**

Please check the supplied accessory



AC cord

Music Stand

CD-ROM

NOTE

The included AC cord is for use with this unit only
Do not use it with other equipment

PANASONIC CONSUMER ELECTRONICS COMPANY
DIVISION OF MATSUSHITA ELECTRIC CORPORATION OF AMERICA
One Panasonic Way Secaucus New Jersey 07094

Printed in Japan

Consumerproducts@Panasonic.com
ENGLISH

QQTG0653B
Se080150