

JX-3P (PG-200)

SERVICE NOTES

First Edition

SPECIFICATIONS

JX-3P

Keyboard:

61 keys, 5 octaves, C scale

Power consumption:

20 W

Dimensions:

912(W) x 325(D) x 115(H)mm

37-7/8(W) x 12-13/16(D) x 4-1/2(H)in.

Weight:

9.8 kg, 21 lb. 9 oz.

PG-200

Dimensions:

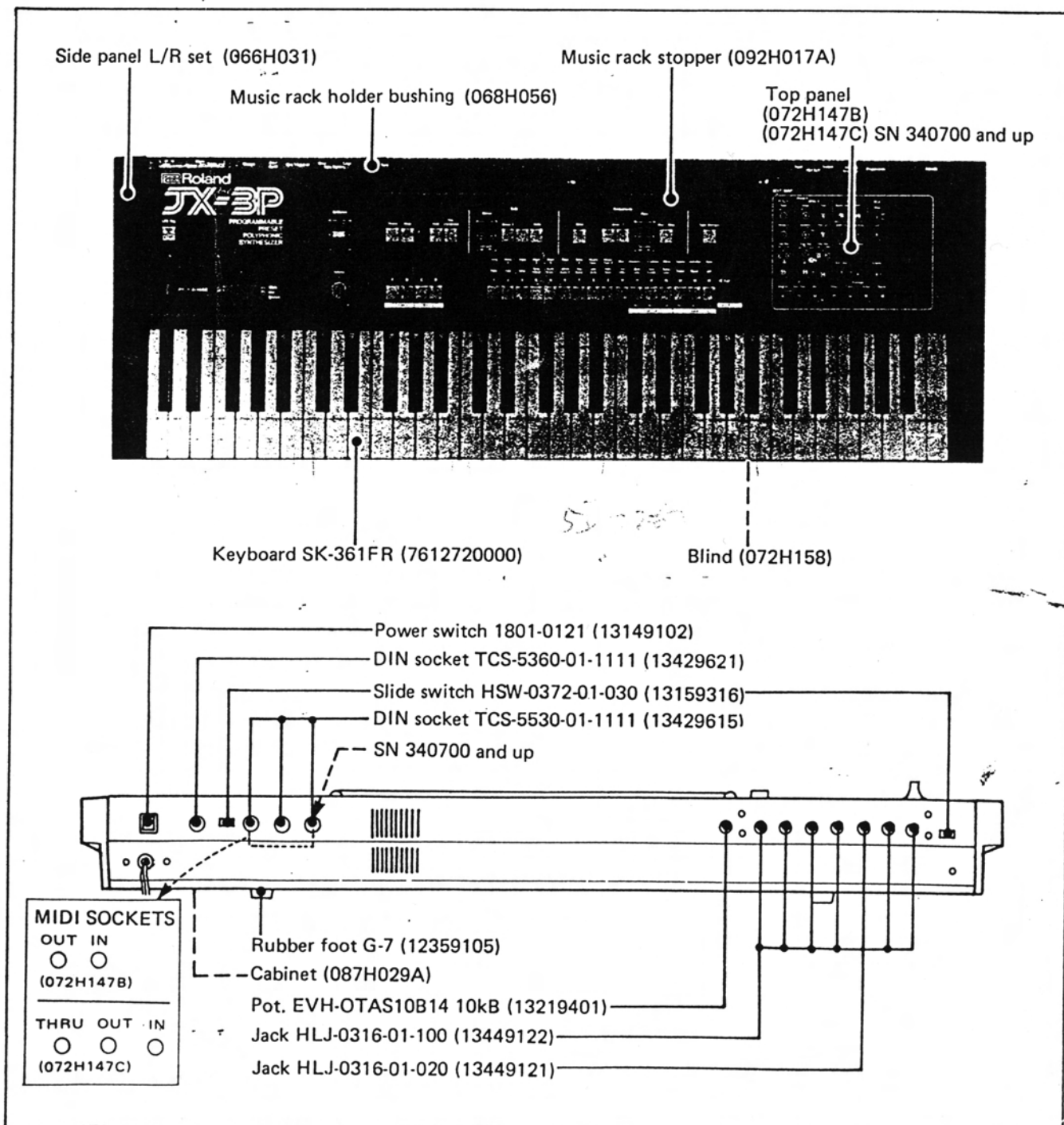
244(W) x 172(D) x 1-3/4(H)mm.

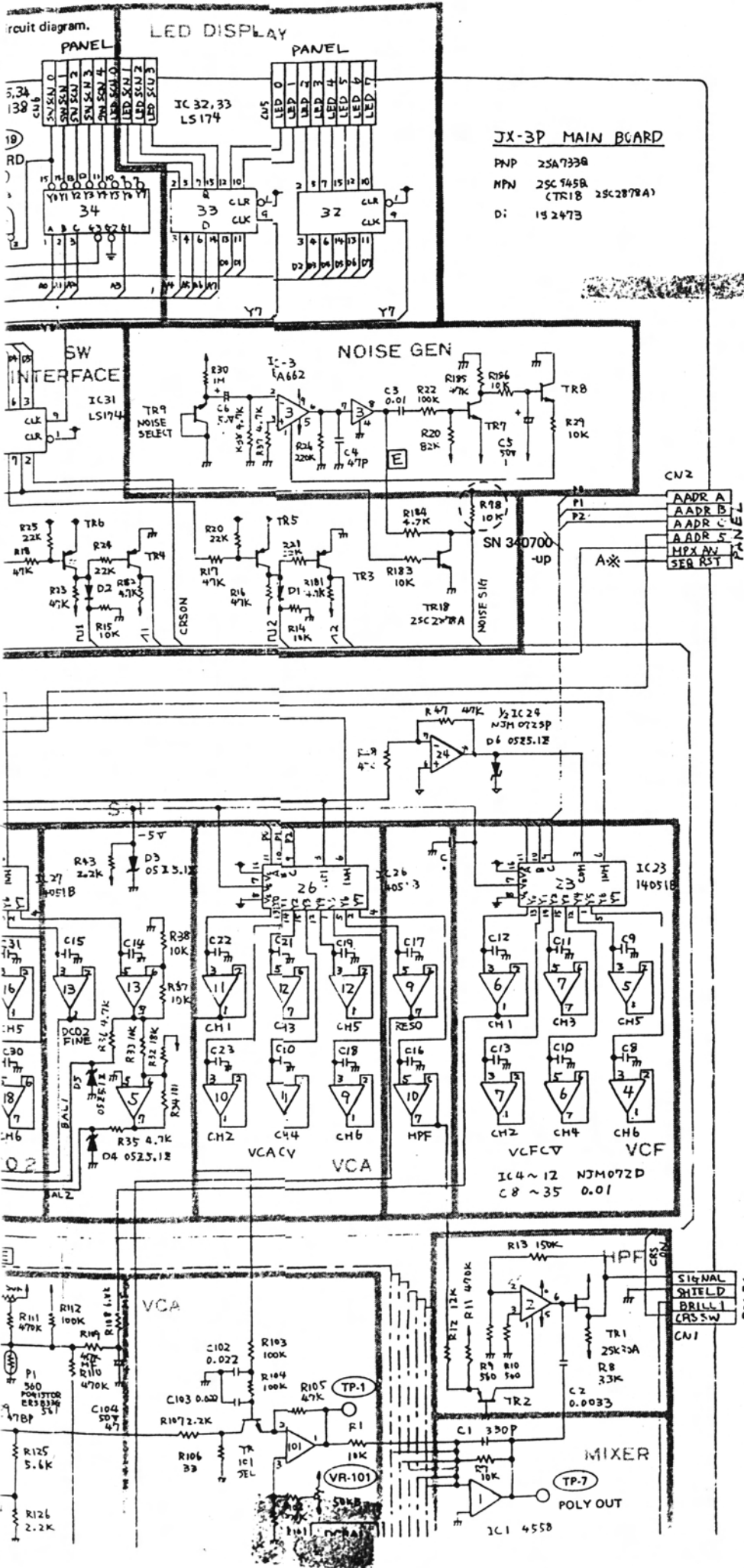
9-5/8(W) x 6-3/4(D) x 1-3/4(H)in.

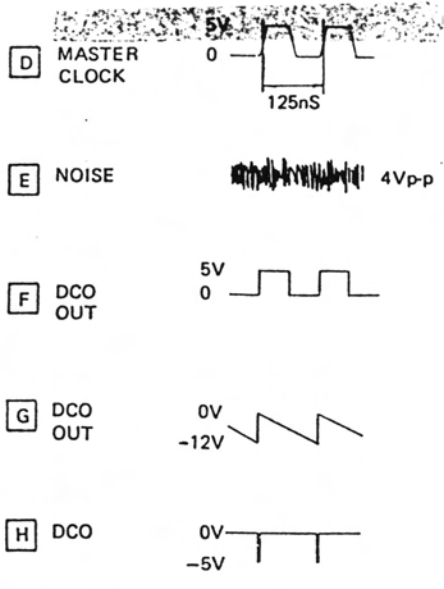
Weight:

1.4 kg, 3 lb. 9 oz.

JX-3P







CHANGES ON IC52

ROM
From EPROM (2764) to MASK ROM (2365) Compatible.
Debugged Program

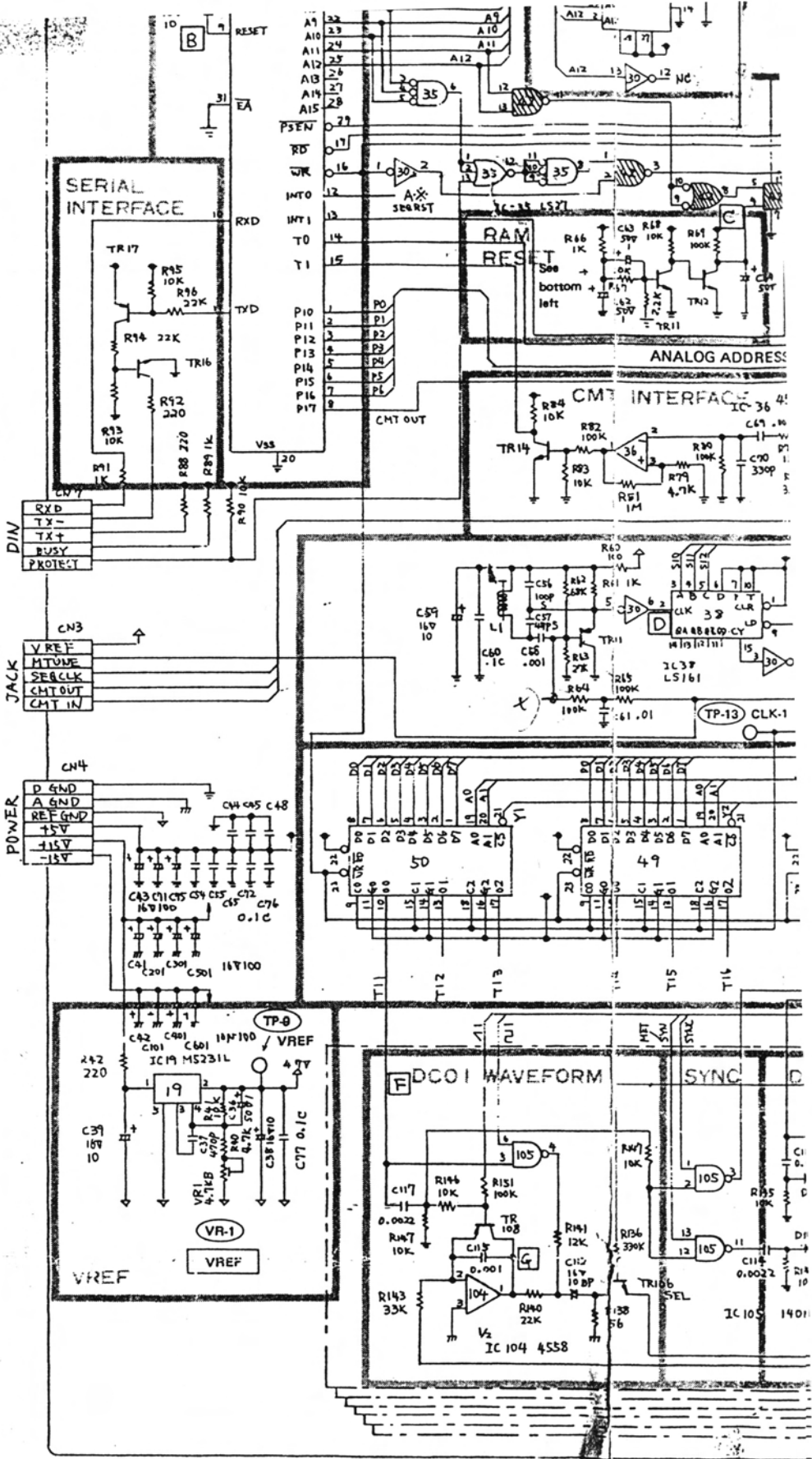
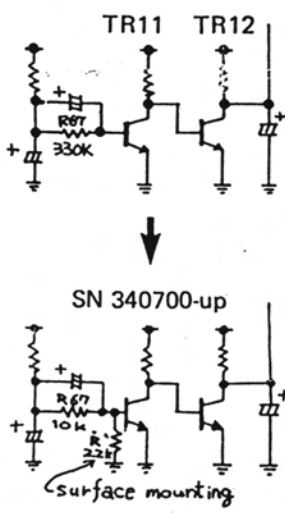
To cure the problem described below, use the EPROM or MASK ROM of versions A-4 and up for early products, as necessary. Refer to Test Mode in ADJUSTMENT section for identification of existing ROM version.

When the JX-3P is used as a master in MIDI connection, unwanted note may be heard on the slave having more than six voices.

RAM RESET CIRCUIT CHANGE

Reason
To make the JX-3P invulnerable against power line transients.

This minor reconnection is effective to cure the problem, "program overrun," when the JX-3P is operating from a greatly fluctuating power line.

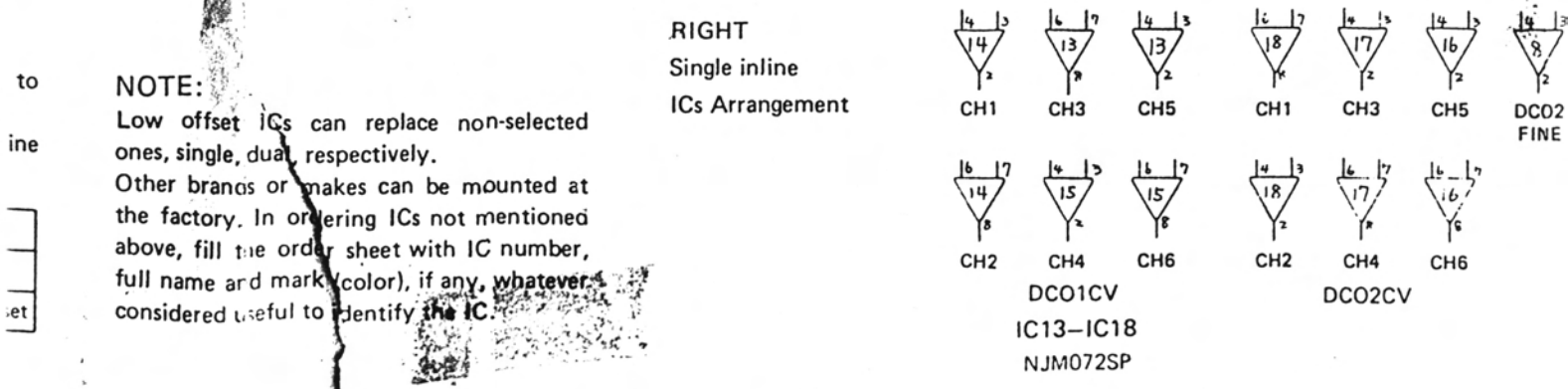
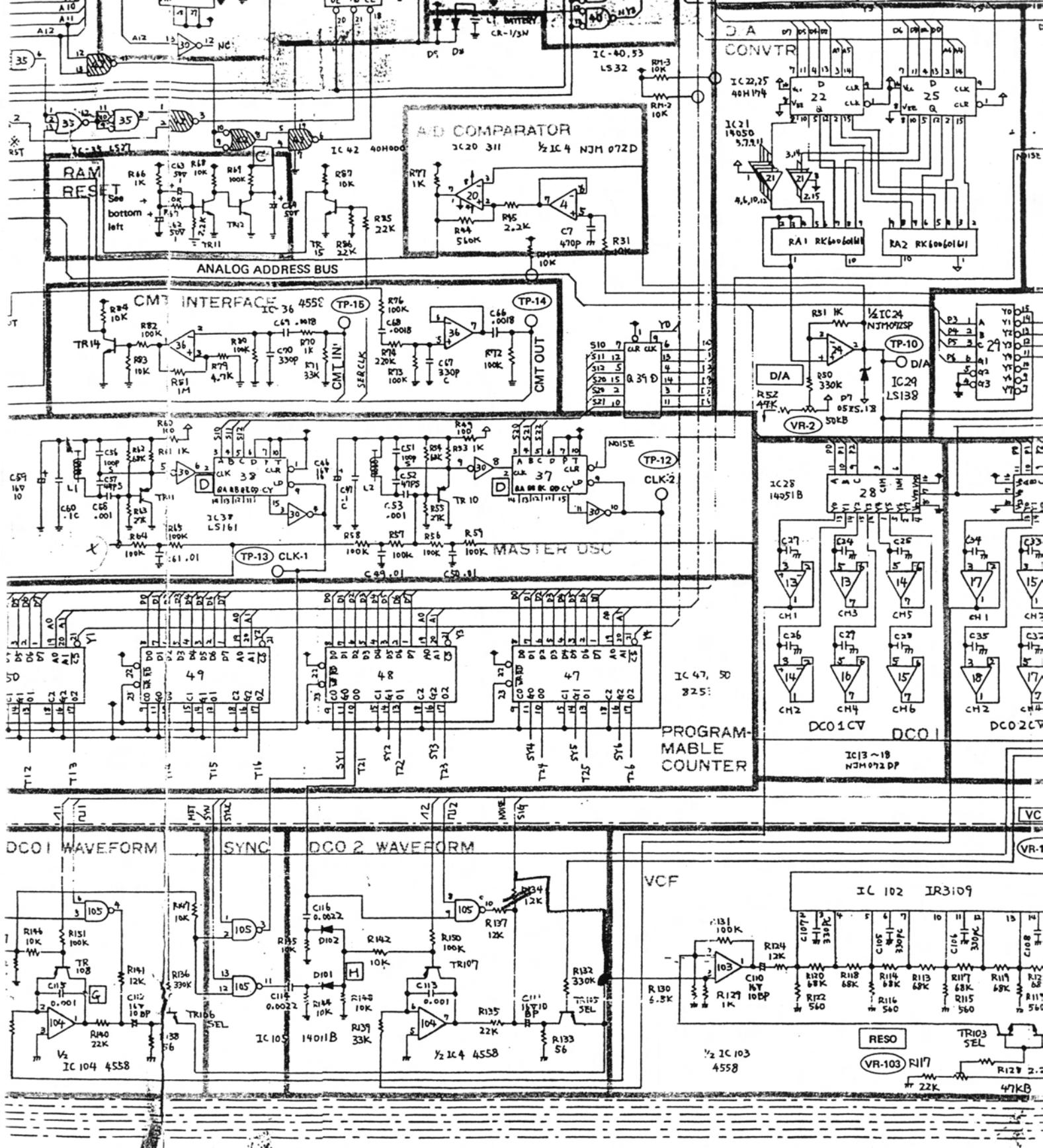


IC.CHANGES

IC procure problems force the factory to emply equivalent on Main board:
IC4-IC18 - from single inline to dual inline with affected PCB foil patterns relaid out.

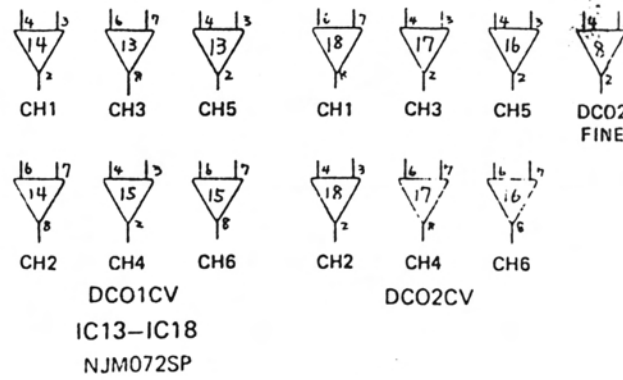
Single inline	Dual inline	Remark
NJM072S	NJM072D	As produced
NJM072SP	NJM072DP	Selected, low offset

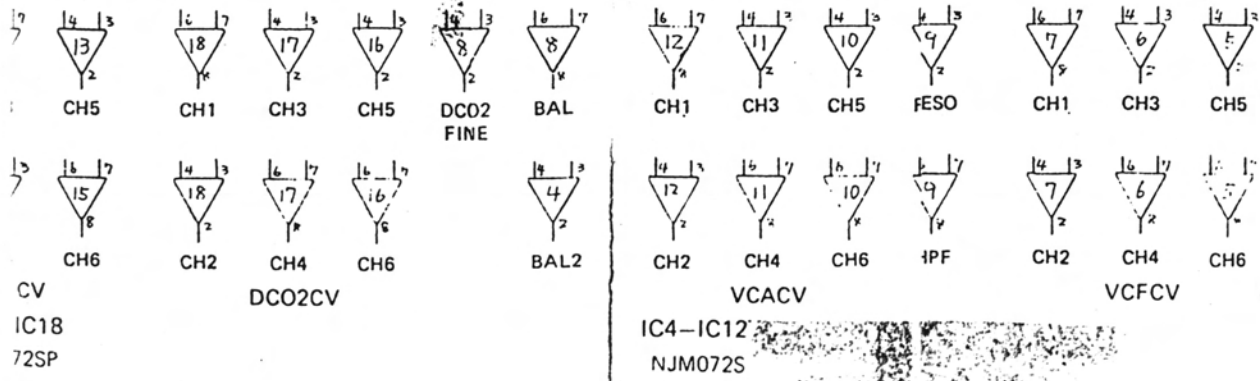
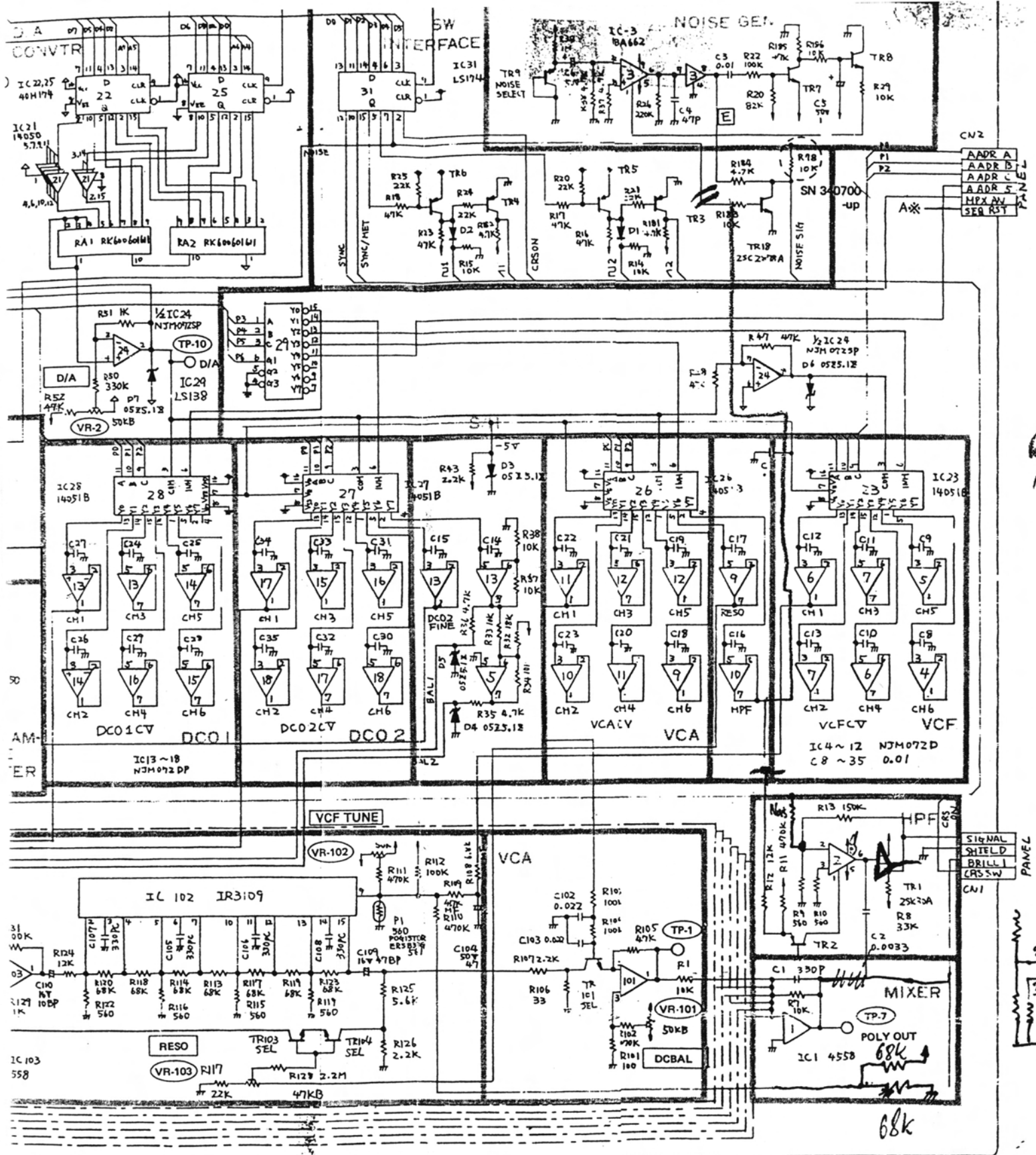
NOTE:
Low offset ICs can replace non ones, single, dual, respectively. Other brands or makes can be mo the factory. In ordering ICs not m above, fill the order sheet with IC full name and mark (color), if any, considered useful to identify the IC.

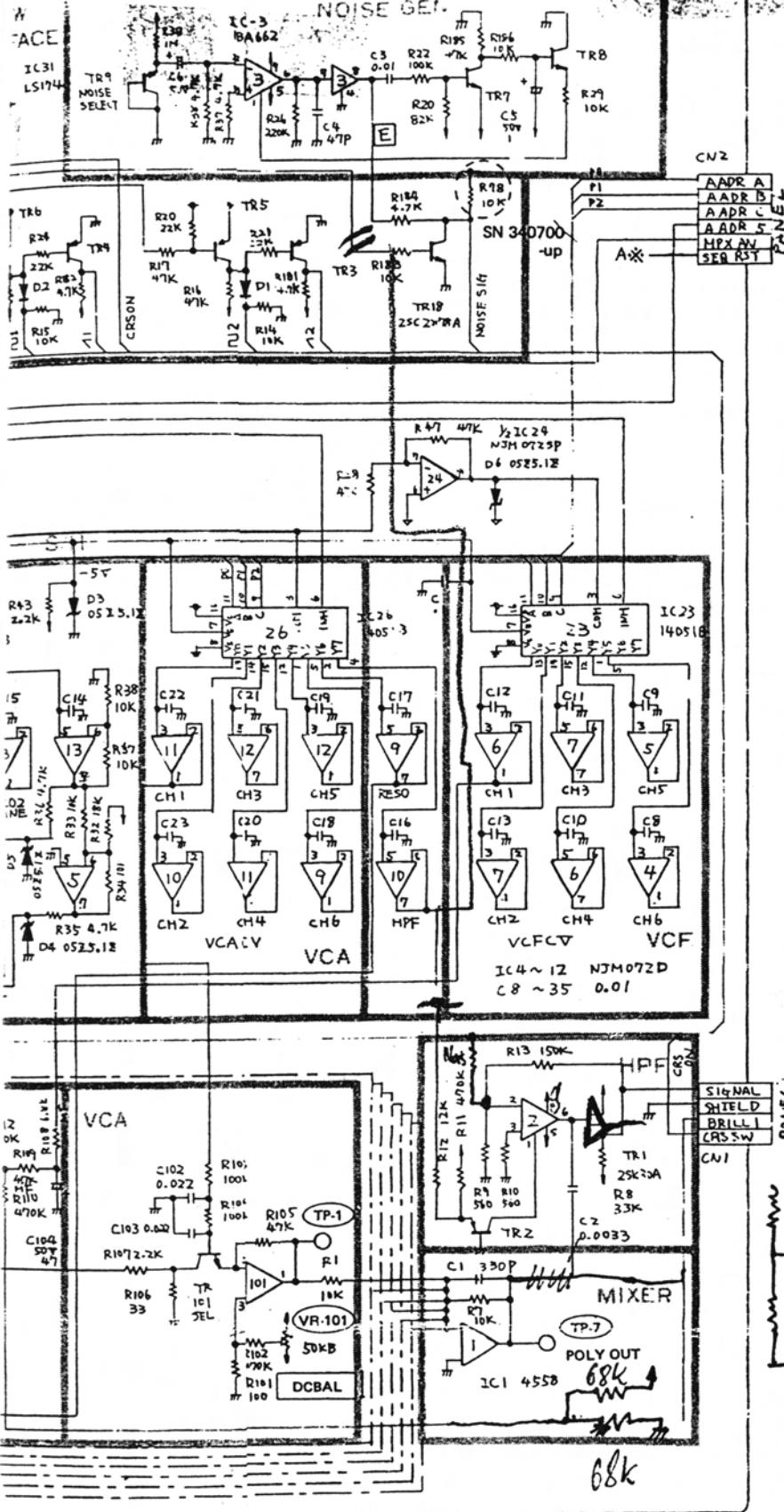


NOTE:
 Low offset ICs can replace non-selected ones, single, dual, respectively.
 Other brands or makes can be mounted at the factory. In ordering ICs not mentioned above, fill the order sheet with IC number, full name and mark (color), if any, whatever is considered useful to identify the IC.

RIGHT
 Single inline
 ICs Arrangement



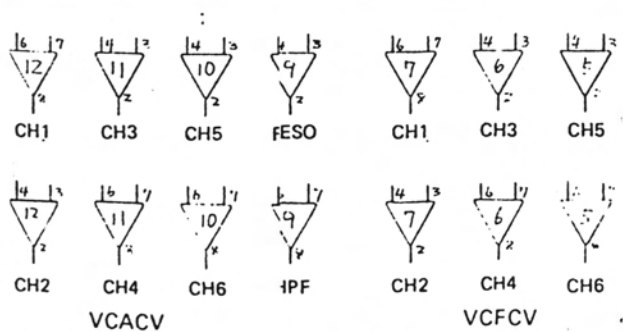
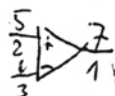
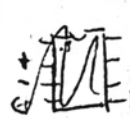
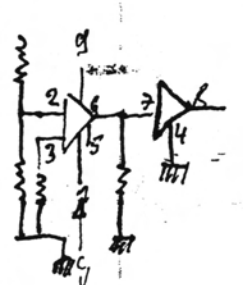




1
1
1

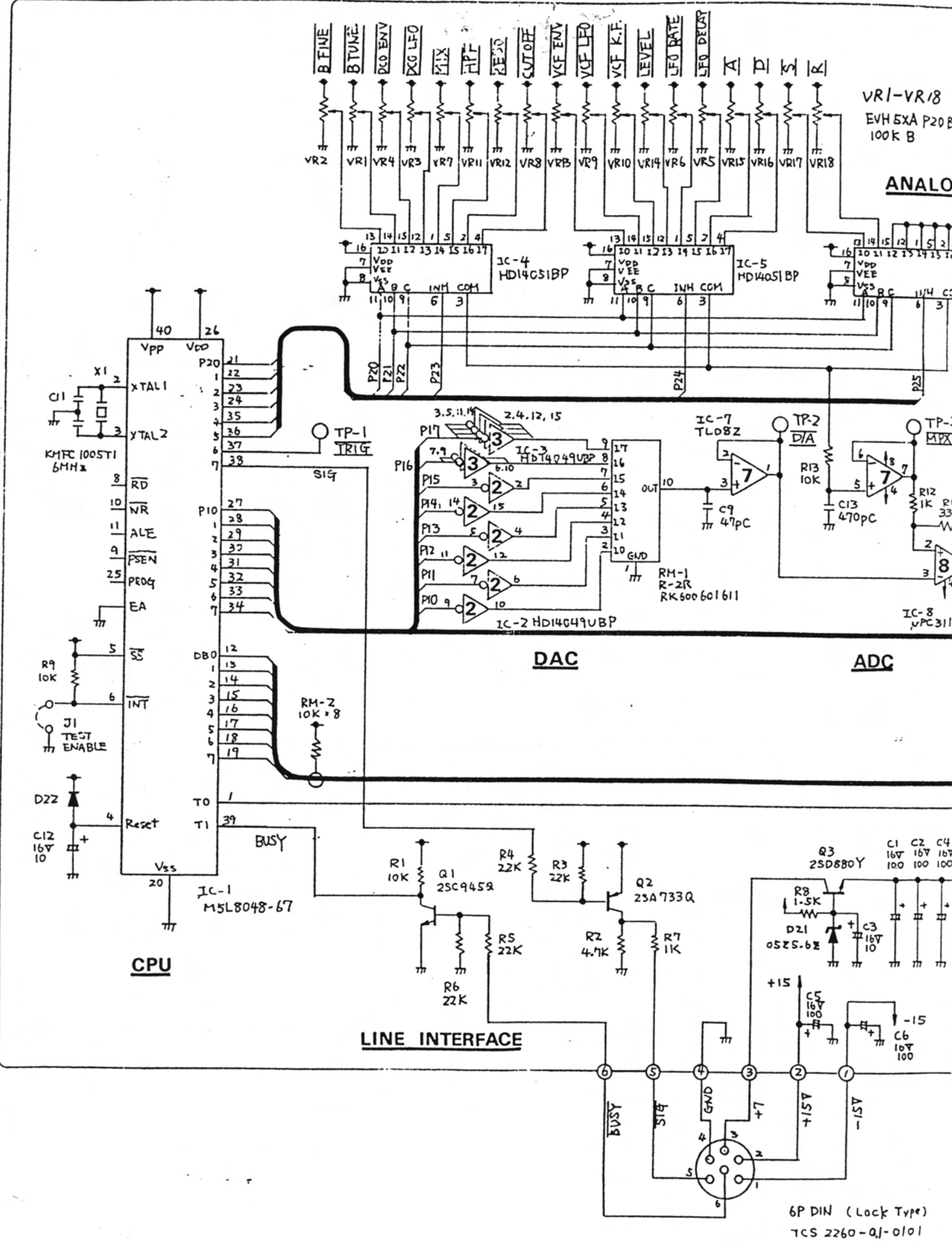
R 134 ~~ist~~ aufheben von
Noise sig direkt am R137

Noise Pin 3
von IC103
HPF CV am 5
Pin 7 von IC 10
am R183
links



IC4-IC12
NJM072S

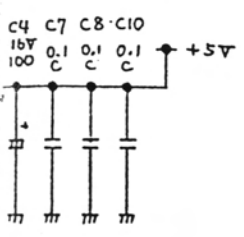
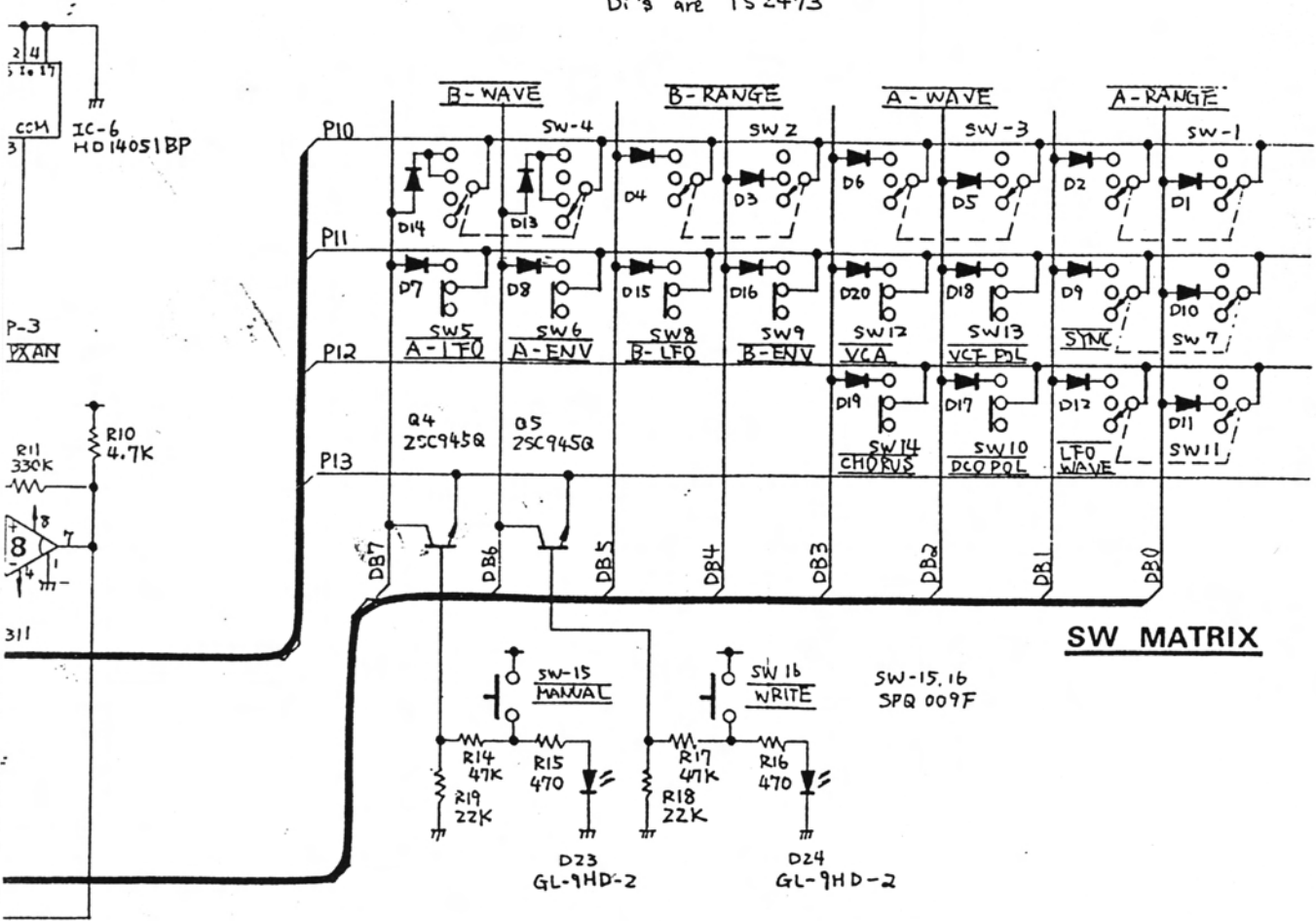
PG-200 CIRCUIT DIAGRAM



DBLS

OG MPX

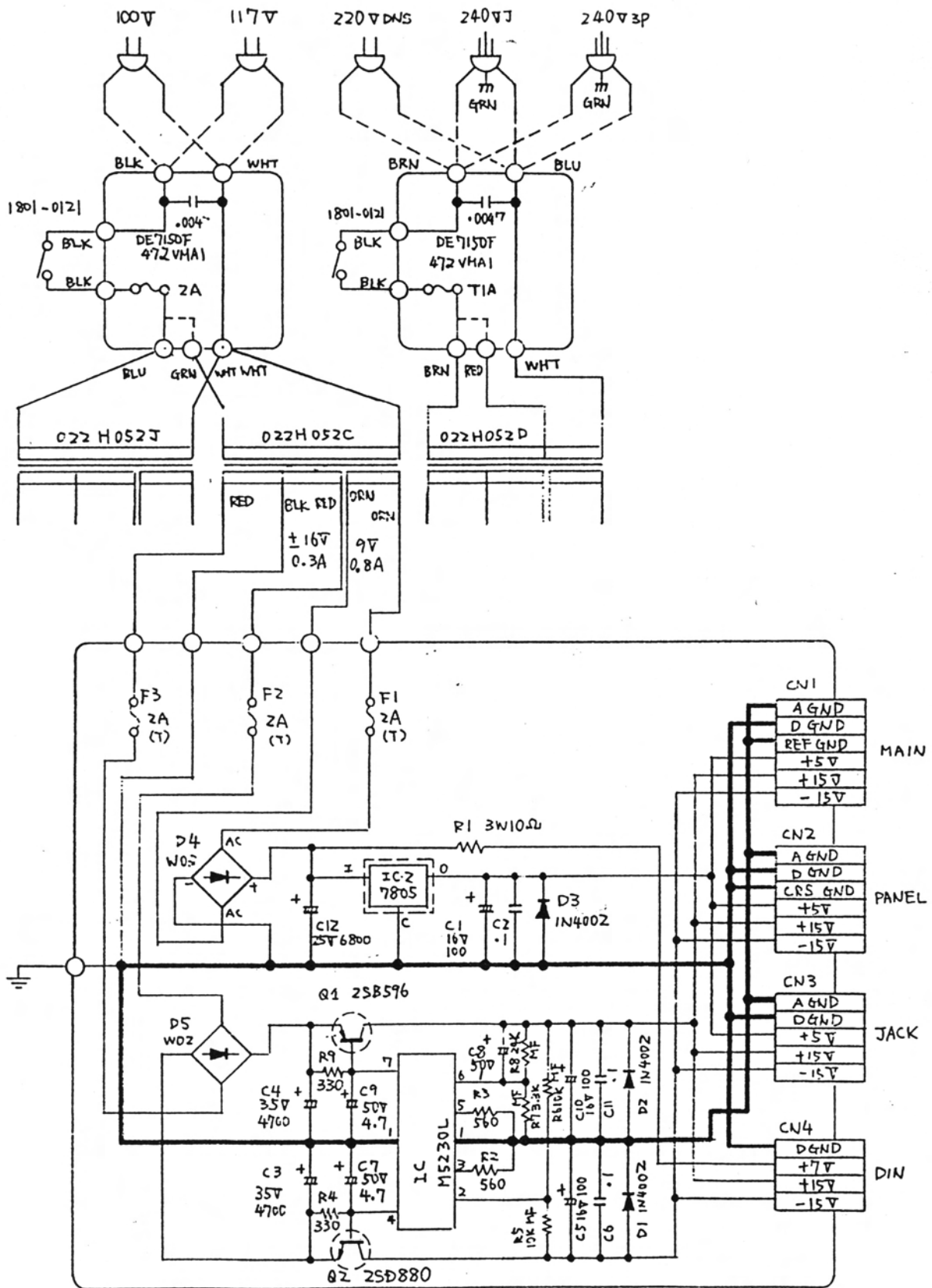
SW-1, 2, 3, 7, 11 SRM 1043
 SW-4 SRM 1034
 SLIDETYPE SW'S SSB022 9mm
 Di's are 1S2473



+5 REG

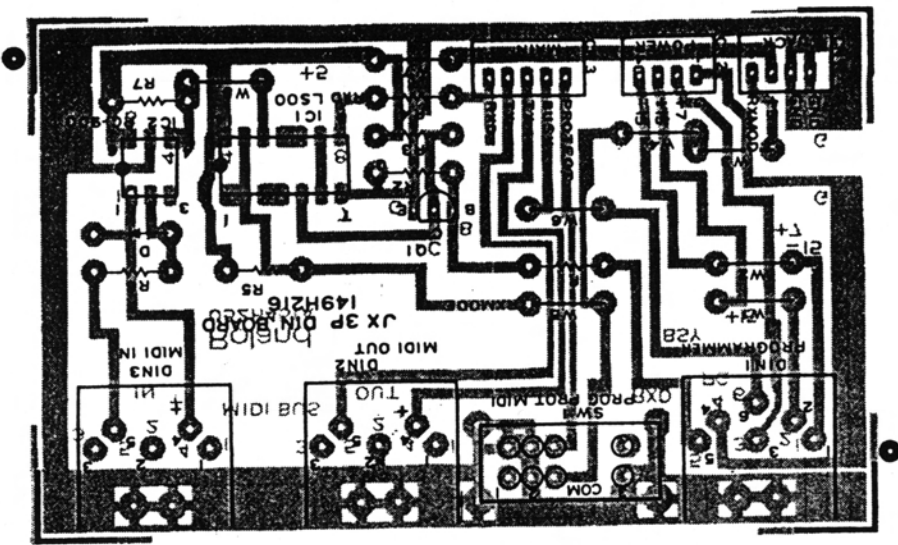
**CONTROL BOARD ASSY
149H217**

PCB less parts
052H444

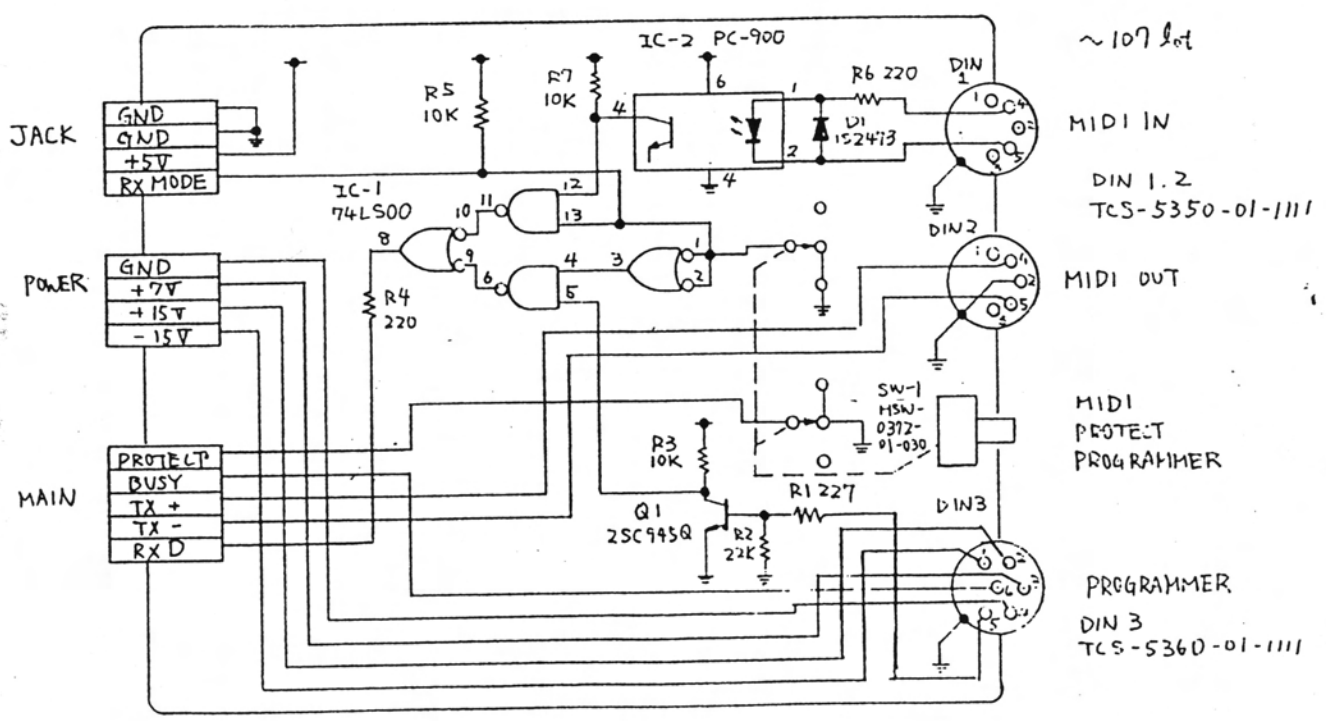


DIN BOARD (149H216) (pcb 052H451A)

A B C D E F G H I J K L M N O P Q R S T U V W X Y Z

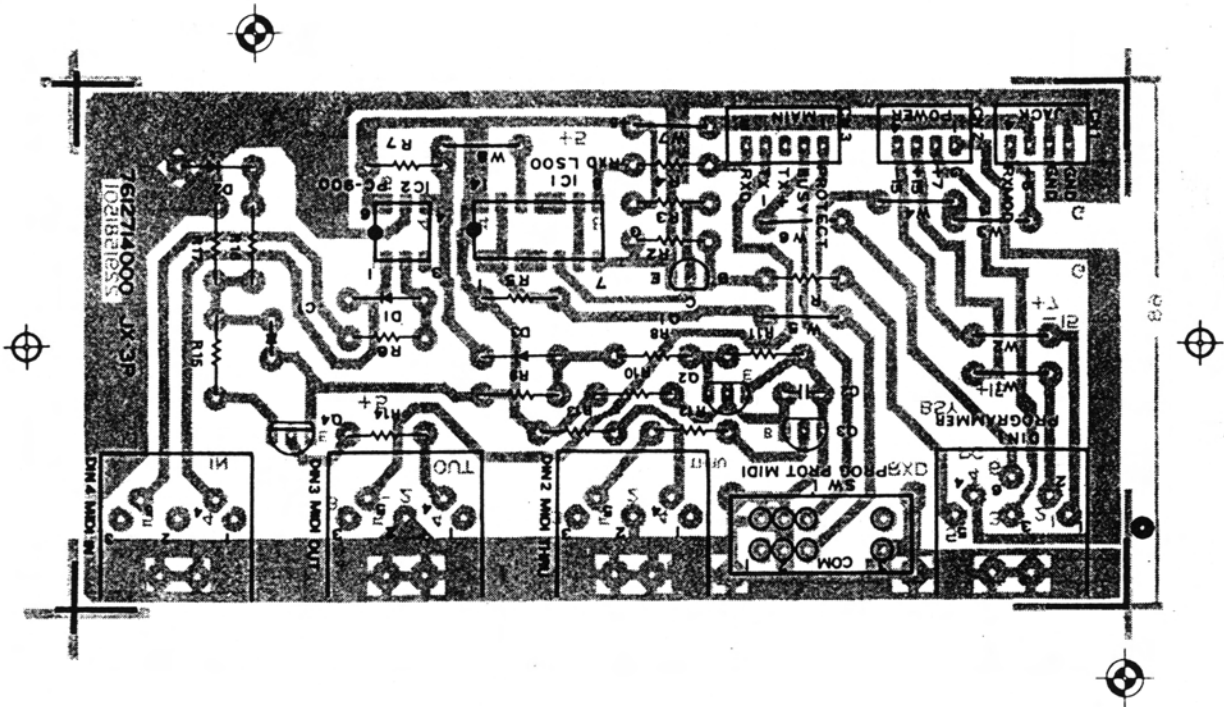


Although both PCBs are compatible, substituting new PCB to o

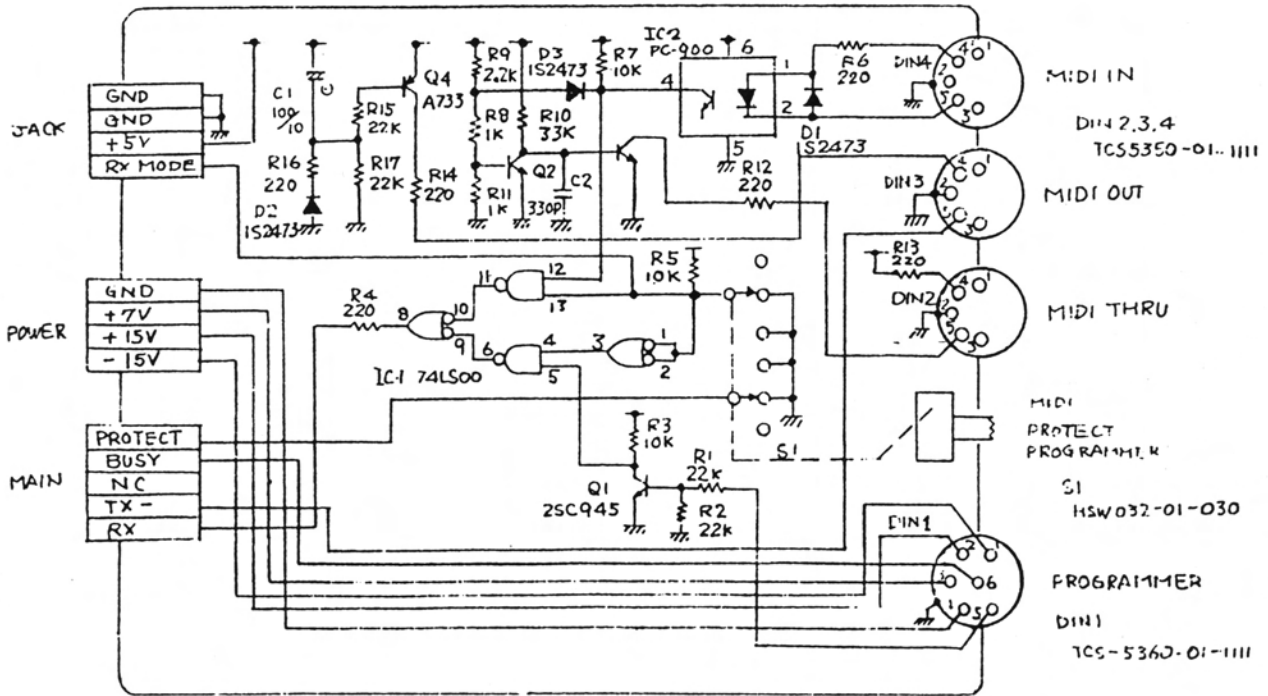


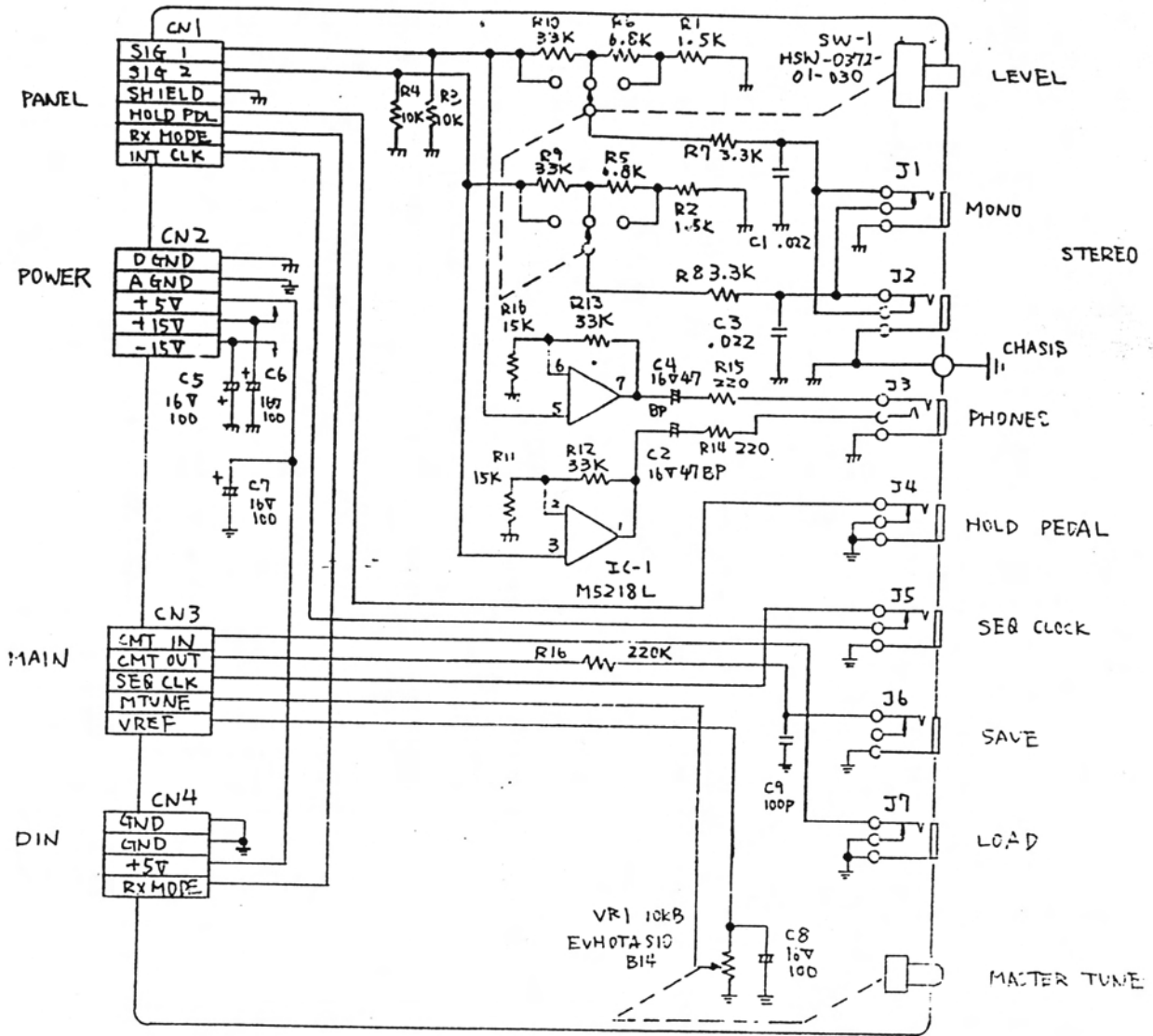
~107 lot
 MIDI IN
 DIN 1.2
 TCS-5350-01-1111
 MIDI OUT
 MIDI PROTECT
 PROGRAMMER
 DIN 3
 TCS-5360-01-1111

SN 340700 and up
DIN BOARD 7612714000 (pcb 2291581501)

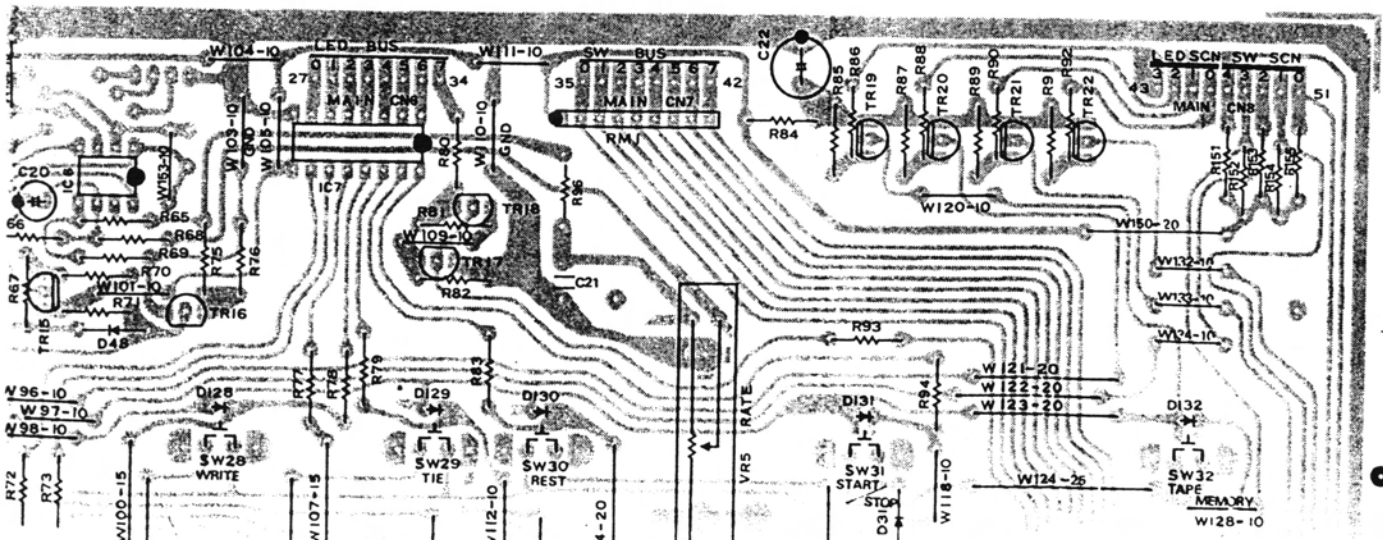


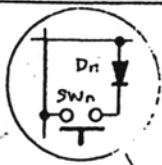
o old one needs Top panel replacement.





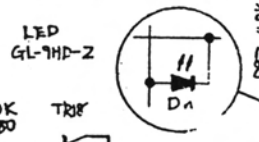
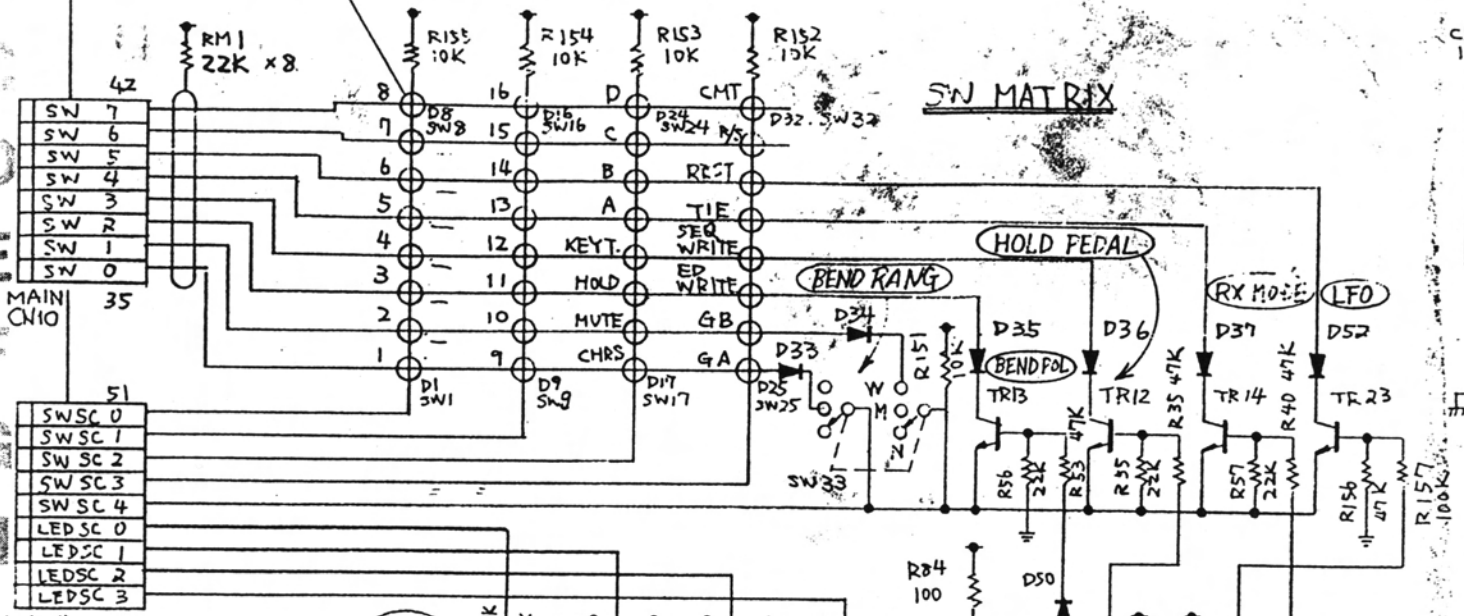
(MONO JACK
HLJ-0316-C1-100
STEREO JACK
HLJ-0314-01-020)





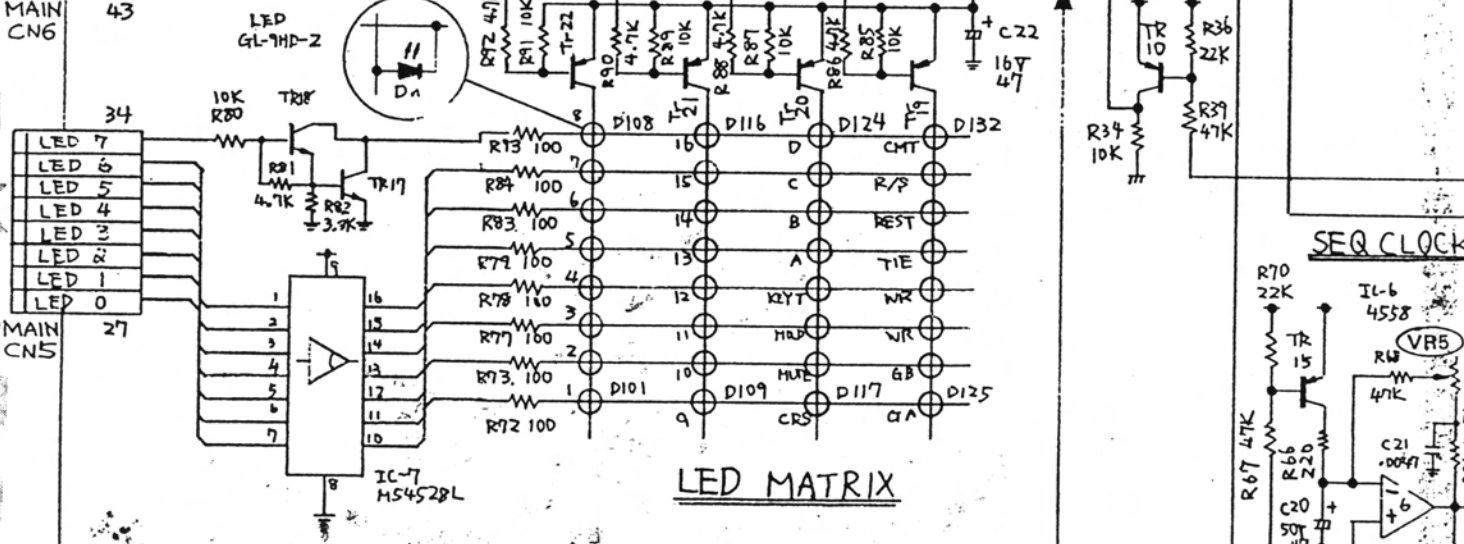
PUSH SW SP009F

SW MATRIX

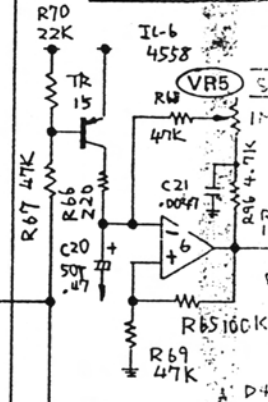


LED GL-7HD-2

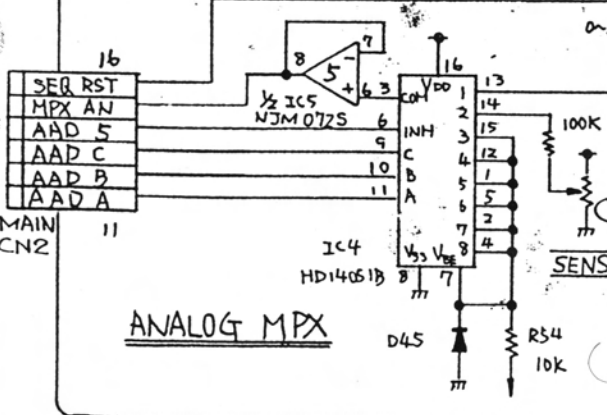
LED MATRIX



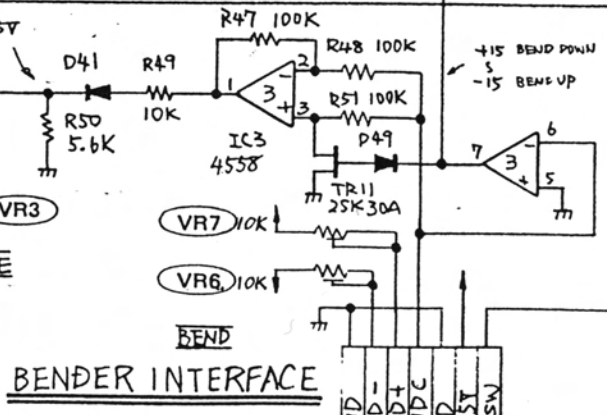
SEQ CLOCK



ANALOG MPX



BENDER INTERFACE



BENDER PB-7

LFO TRIG



POWER CN 2

SW BOARD ASSY

4.7K

16T

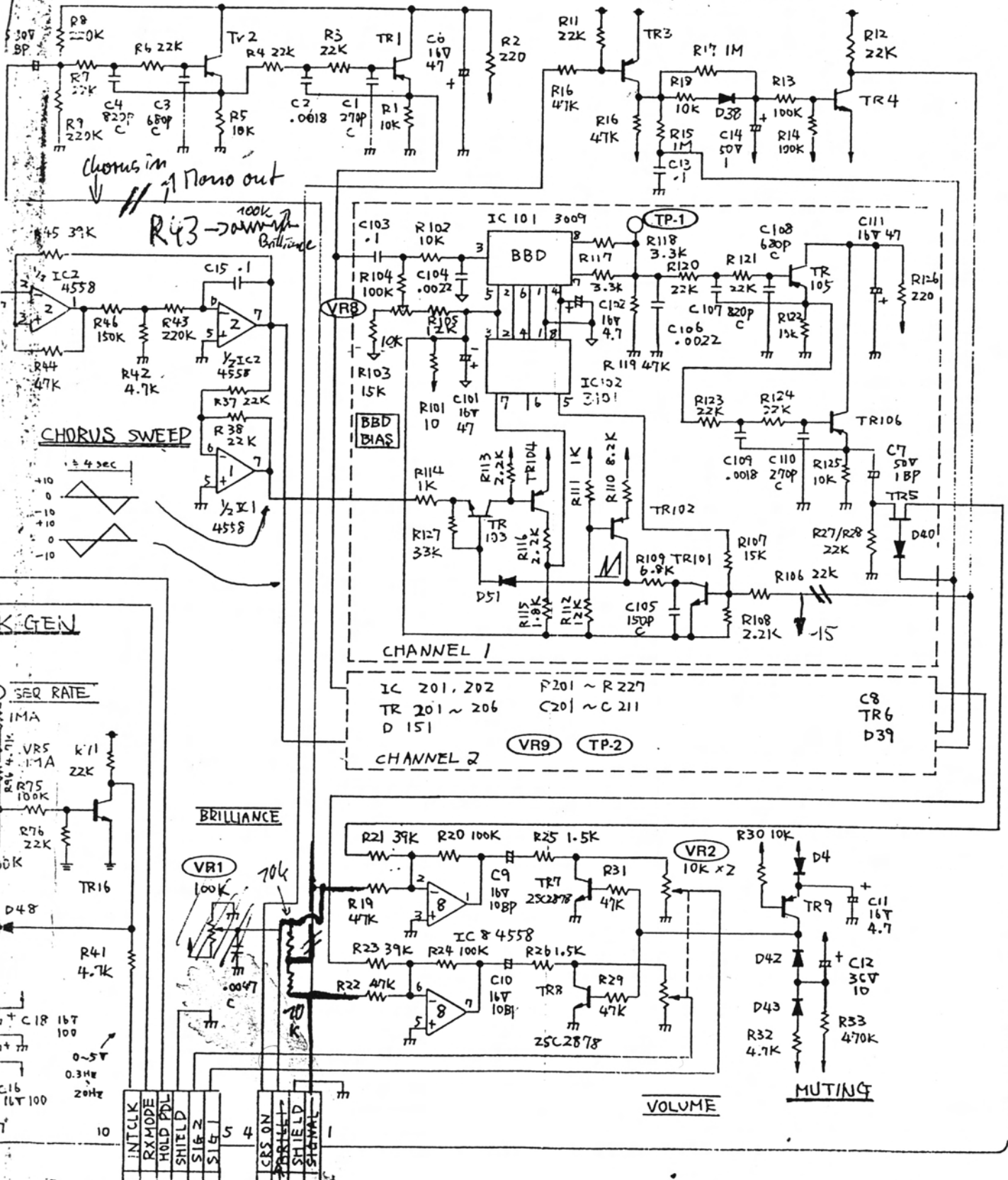
17

22

CHORUS

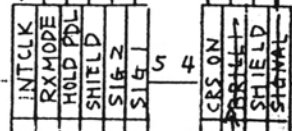
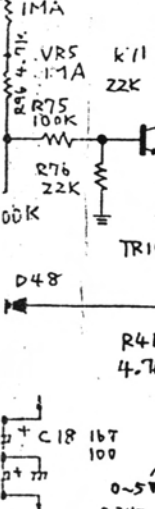
PRE FILTER

ON/OFF INTERFACE



KIT GEN

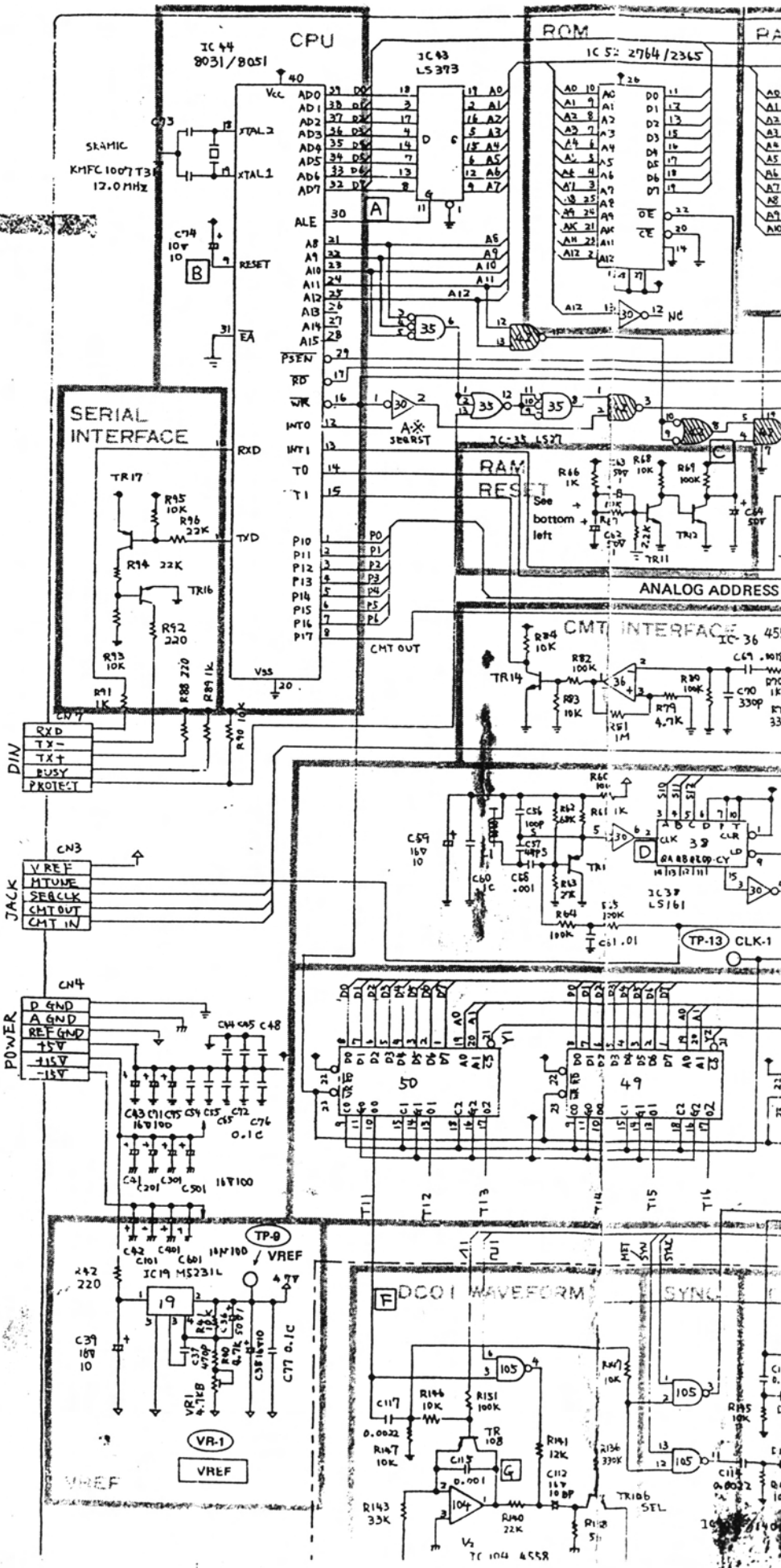
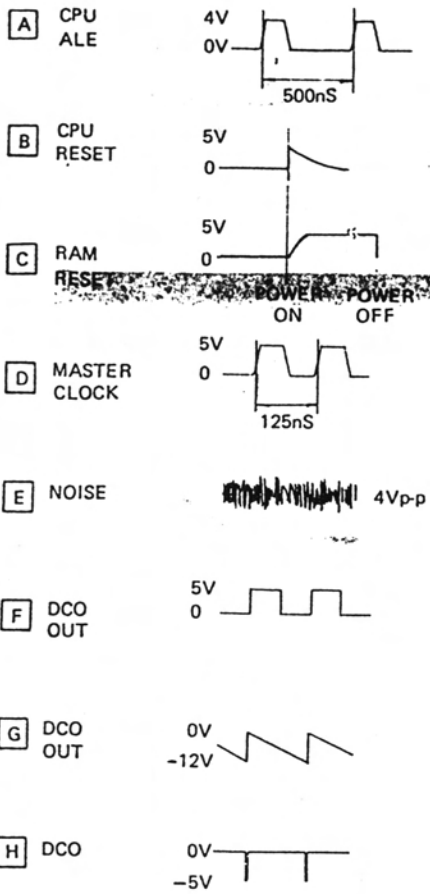
SER RATE



- PNP TR 2SA 733Q
- NPN TR 2SC 945Q
- DIODE 1S2473

D Ad e d g f i s d A

MAIN BOARD



CHANGES ON IC52

ROM
From EPROM (2764) to MASK ROM (2365) Compatible.

Debugged Program
To cure the problem described below, use the EPROM or MASK ROM of versions A-4 and up for early products, as necessary.

Refer to Test Mode in ADJUSTMENT section for identification of existing ROM version.

When the JX-3P is used as a master in MIDI connection, unwanted note may be heard on the slave having more than six voices.

RAM RESET CIRCUIT CHANGE

Reason
To make the JX-3P invulnerable against power line transients.

This minor reconnection is effective to cure the problem, "program overrun" when the JX-3P is operating from a greatly fluctuating power line.

