

 **Roland**

---

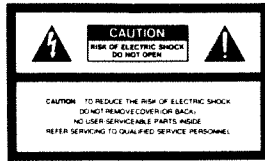
**MIDI** MIDI DISPLAY

---

**A-110**

---

**Owner's Manual**



The lightning flash with arrowhead symbol, within an equilateral triangle, is intended to alert the user to the presence of un-insulated "dangerous voltage" within the product's enclosure that may be of sufficient magnitude to constitute a risk of electric shock to persons.

The exclamation point within an equilateral triangle is intended to alert the user to the presence of important operating and maintenance (servicing) instructions in the literature accompanying the product.

INSTRUCTIONS PERTAINING TO A RISK OF FIRE, ELECTRIC SHOCK OR INJURY TO PERSONS.

## IMPORTANT SAFETY INSTRUCTIONS

**WARNING** When using electric products, basic precautions should always be followed, including the following:

1. Read all the instructions before using the product.
2. To reduce the risk of injury, close supervision is necessary when a product is used near children.
3. Do not use this product near water- for example, near a bathtub, washbowl, kitchen sink, in a wet basement, or near a swimming pool, or the like.
4. This product should be used only with a cart or stand that is recommended by the manufacture.
5. This product, either alone or in combination with an amplifier and headphones or speakers, may be capable of producing sound levels that could cause permanent hearing loss.  
Do not operate for a long period of time at a high volume level or at level that is uncomfortable. If you experience any hearing loss or ringing in the ears, you should consult an audiologist.
6. The product should be located so that its location or position does not interfere with its proper ventilation.
7. The product should be located away from heat sources such as radiators, heat registers or other products that produce heat.
8. The product should avoid using in where it may be effected by dust.
9. The product should be connected to a power supply only of the type described in the operating instructions or as marked on the product.
10. The power-supply cord of the product should be unplugged from the outlet when left unused for a long period of time.
11. Do not tread on the power-supply cord.
12. Do not pull the cord but hold the plug when unplugging.
13. When setting up with any other instruments, the procedure should be followed in accordance with instruction manual.
14. Care should be taken so that objects do not fall and liquids are not spilled into the enclosure through openings.
15. The product should be serviced by qualified service personnel when:
  - A: The power-supply cord or the plug has been damaged; or
  - B: Objects have fallen, or liquid has been spilled into the product; or
  - C: The product has been exposed to rain; or
  - D: The product does not appear to operate normally or exhibits a marked change in performance; or
  - E: The product has been dropped, or the enclosure damaged.
16. Do not attempt to service the product beyond that described in the user-maintenance instructions. All other servicing should be referred to qualified service personnel.

## SAVE THESE INSTRUCTIONS

### WARNING

#### THIS APPARATUS MUST BE EARTH GROUNDED.

The three conductors of the mains lead attached to this apparatus are identified with color as shown in the table below, together with the matching terminal on the UK type power plug. When connecting the mains lead to a plug, be sure to connect each conductor to the correct terminal, as indicated.

**"This instruction applies to the product for United Kingdom."**

MAINS LEADS		PLUG
Conductor	Color	Mark on the matching terminal
Live	Brown	Red or letter L
Neutral	Blue	Black or letter N
Grounding	Green-Yellow	Green, Green-Yellow, letter E or symbol

#### Bescheinigung des Herstellers /Importeurs

Hiermit wird bescheinigt, daß der/die/das

**ROLAND MIDI DISPLAY A-110**

(Gerät, Typ, Bezeichnung)

in Übereinstimmung mit den Bestimmungen der

**Amtsbl. Vfg 1046 / 1984**

(Amtsblattverfügung)

funk-entstört ist.

Der Deutschen Bundespost wurde das Inverkehrbringen dieses Gerätes angezeigt und die Berechtigung zur Überprüfung der Serie auf Einhaltung der Bestimmungen eingeräumt.

**Roland Corporation Osaka / Japan**

Name des Herstellers/Importeurs

#### RADIO AND TELEVISION INTERFERENCE

**Warning** - This equipment has been verified to comply with the limits for a Class B computing device, pursuant to Subpart J, of Part 15, of FCC rules. Operation with non-certified or non-verified equipment is likely to result in interference to radio and TV reception.

The equipment described in this manual generates and uses radio-frequency energy. If it is not installed and used properly, that is, in strict accordance with our instructions, it may cause interference with radio and television reception.

This equipment has been tested and found to comply with the limits for a Class B computing device in accordance with the specifications in Subpart J, of Part 15, of FCC Rules. These rules are designed to provide reasonable protection against such interference in a residential installation. However, there is no guarantee that the interference will not occur in a particular installation. If this equipment does cause interference to radio or television reception, which can be determined by turning the equipment on and off, the user is encouraged to try to correct the interference by the following measures:

- Disconnect other devices and their input/output cables one at a time. If the interference stops, it is caused by either the other device or its I/O cable.
- These devices usually require Roland designated shielded I/O cables. For Roland devices, you can obtain the proper shielded cable from your dealer. For non-Roland devices, contact the manufacturer or dealer for assistance.
- If your equipment does cause interference to radio or television reception, you can try to correct the interference by using one or more of the following measures:
  - Turn the TV or radio antenna until the interference stops.
  - Move the equipment to one side or the other of the TV or radio.
  - Move the equipment farther away from the TV or radio.
  - Plug the equipment into an outlet that is on a different circuit than the TV or radio. (That is, make certain the equipment and the radio or television set are on circuits controlled by different circuit breakers or fuses.)
  - Consider installing a rooftop television antenna with coaxial cable lead in between the antenna and TV.

If necessary, you should consult your dealer or an experienced radio/television technician for additional suggestions. You may find helpful the following booklet prepared by the Federal Communications Commission:

**"How to Identify and Resolve Radio-TV Interference Problems"**

This booklet is available from the U.S. Government Printing Office, Washington, D.C. 20402. Stock No. 004-000-00385-4.

Please read the separate volume "MIDI", before reading this owner's manual.

Copyright © 1987 by ROLAND CORPORATION

All rights reserved. No part of this publication may be reproduced in any form without the written permission of ROLAND CORPORATION.

## OUTLINE

The A-110 features 88 indicators (A<sub>0</sub> to C<sub>8</sub>) that light when corresponding Key On messages are received on the MIDI Channel(s) currently selected (1 to 16, or All). The Display shows the MIDI Channel number or Program Change number currently in use. The Hold Indicator is also provided to tell you whether the Hold effect is on or off in the selected Channel(s).

## SPECIFICATIONS

### Indicators and Display

Key Indicators (88 keys : A<sub>0</sub> to C<sub>8</sub>)  
Hold Indicator  
Octave Indicators  
Display (Channel/Program Change)

### Switches

Channel Selector (1 to 16, ALL-PGM, ALL-CH)

### Connectors

MIDI IN × 1  
MIDI THRU × 5  
AC IN

**Dimension** : 482(W) × 44(H) × 274(D)mm  
19" × 1-3/4" × 10-13/16"

**Weight** : 2.9kg/6lb 6oz

**Consumption** : 13W

**Accessory** : Power Cord × 1

## IMPORTANT NOTES

### Power Supply

- The appropriate power supply for this unit is shown on its name plate. Please make sure that the line voltage in your country meets that.
- Please do not use the same socket used for any noise generating device (such as motor, variable lighting system).
- Before setting up the A-110 with other units, turn them off.
- This unit might not work properly if you connect the power cable to the socket without turning the unit off. If this happens, simply turn it off and turn it on again a few seconds later.
- This unit might get hot while operating, but there is no need to worry about it.

### Cleaning

- Use a soft cloth and clean only with a mild detergent.
- Do not use alcohol or solvents such as paint thinner.

### Location

- Avoid using the A-110 in excessive heat or humidity or where it may be affected by direct sunlight or dust.

For Canada

#### CLASS B

#### NOTICE

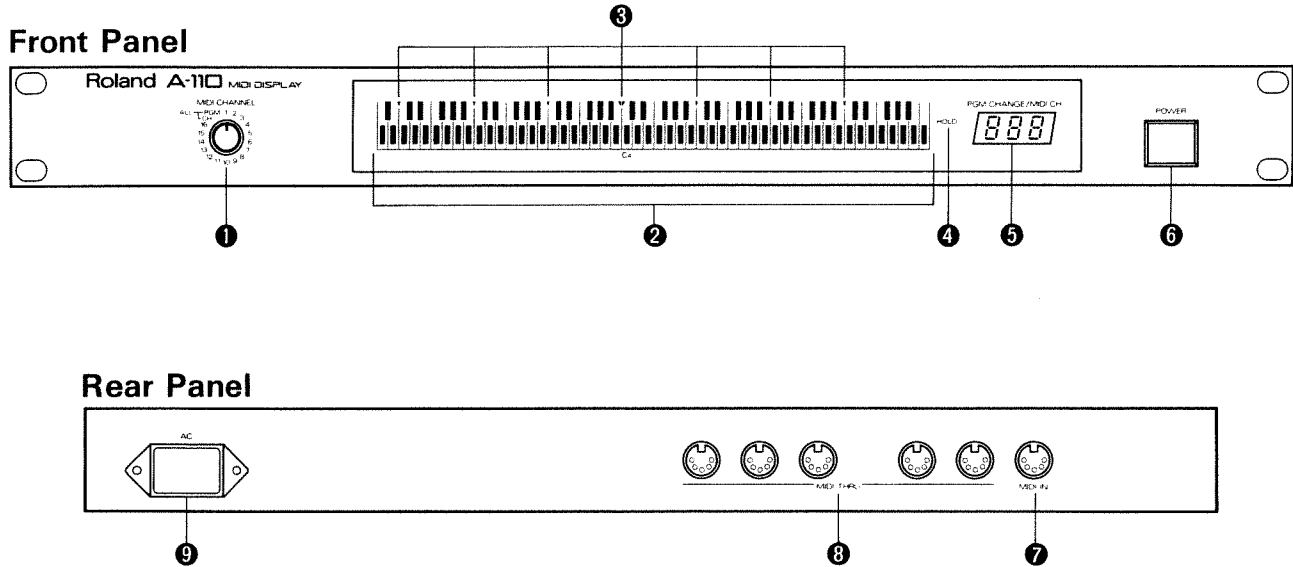
This digital apparatus does not exceed the Class B limits for radio noise emissions set out in the Radio Interference Regulations of the Canadian Department of Communications.

#### CLASSE B

#### AVIS

Cet appareil numérique ne dépasse pas les limites de la classe B au niveau des émissions de bruits radioélectriques fixés dans le Règlement des signaux parasites par le ministère canadien des Communications.

# PANEL DESCRIPTION



## ① Channel Selector

**1 to 16 :** Select the MIDI Channel whose Program change messages you wish the A-110 to display.

**ALL-PGM :** Messages of all the MIDI Channels will be seen on the A-110. The Display shows the newest Program Change number which has been sent.

**ALL-CH :** Messages of all the MIDI Channels will be seen on the A-110. The Display shows the Channel on which the newest messages have been sent.

## ② Key Indicator

This indicates Key On/Off of the MIDI messages of the selected Channel.

## ③ Octave Indicator

## ④ Hold Indicator

If the Hold effect (Damper) is on in the selected Channel, this indicator lights up.

## ⑤ Display

This shows the current MIDI Channel or Program Change number depending on which is selected with the Channel Selector. When the Channel Selector is set to "ALL-PGM", the Display shows "--" until Program Change messages are actually received.

## ⑥ Power Switch

## ⑦ MIDI IN Connector

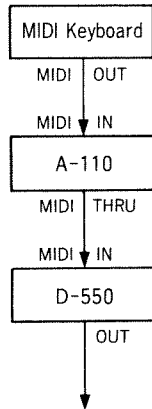
## ⑧ MIDI THRU Connectors

The exact copy of the signal fed into the MIDI IN will be sent out from this socket.

## ⑨ Receptacle

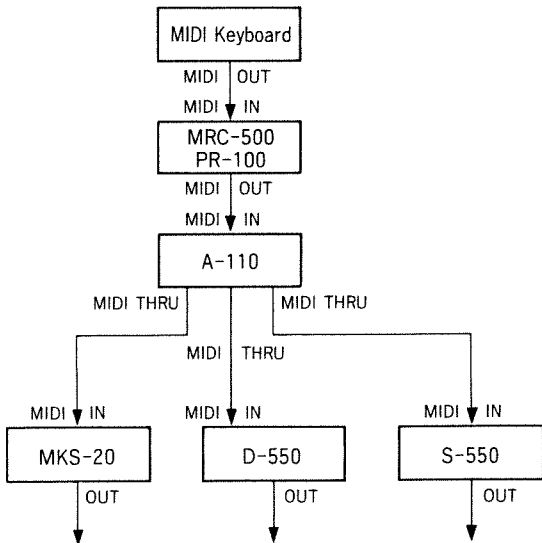
# CONNECTIONS

## Example Setup ①



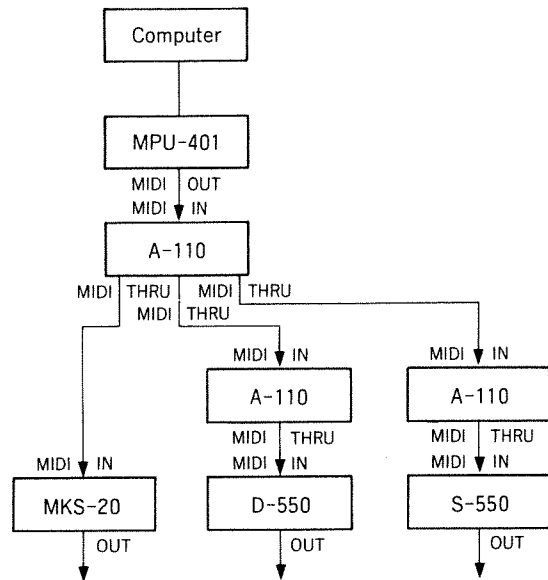
This is the most basic setup example. Set the Channel Selector to "ALL-PGM", "ALL-CH" or to the MIDI Channel number you wish to use. When the Channel Selector is set to "ALL-PGM" or to the Channel number you wish to use, the Display Window will show the program change number 1 to 128. If, however, "---" is shown, there is no Program Change message transmitted.

## Example Setup ②



In this setup, a sequencer is used, and several MIDI channels are sent to the A-110. Set the Channel Selector Switch to the MIDI Channel number you like. The part of each instrument can be visually glapsed without affecting the performance.

## Example Setup ③



The A-110's are assigned to the sound modules which are to be driven by the computer. Set the Channel Selector of each A-110 to the appropriate Channel number that belongs to the connected sound module. Now, the performance of each sound module can be respectively glapsed on the A-110.

Function...		Transmitted	Recognized	Remarks
Basic Channel	Default Changed		1-16 1-16	
Mode	Default Messages Altered	*****	1, 3 X	
Note Number	True Voice	*****	21-108 21-108	
Velocity	Note ON Note OFF		X X	
After Touch	Key's Ch's		X X	
Pitch Bender			X	
Control Change	0-63 64 65-121		X O X	Hold 1
Prog Change	True #	*****	O (0-127) 0-127	
System Exclusive			X	
System Common	Song Pos Song sel Tune		X X X	
System Real Time	Clock Commands		X X	
Aux Message	Local ON/OFF All Notes OFF Active Sense Reset		X O O X	(123-127)
Notes				

Mode 1 : OMNI ON, POLY  
Mode 3 : OMNI OFF, POLY

Mode 2 : OMNI ON, MONO  
Mode 4 : OMNI OFF, MONO

O : Yes  
X : No



**Roland®**

**11064**

UPC 11064



10981

**A-110**

**Roland**

2701038200 89-4-E2-2S