

SECTION 7

SCHEMATIC DIAGRAMS AND PRINTED CIRCUIT BOARDS

FIGURE	TITLE	PAGE
7-1	Power Supply Printed Circuit Board	43
7-2	Power Supply Schematic Diagram	43
7-3	Overall Printed Circuit Board	44
7-4	Overall Schematic Diagram	45,46
7-5	Matching Transistor Circuits	47

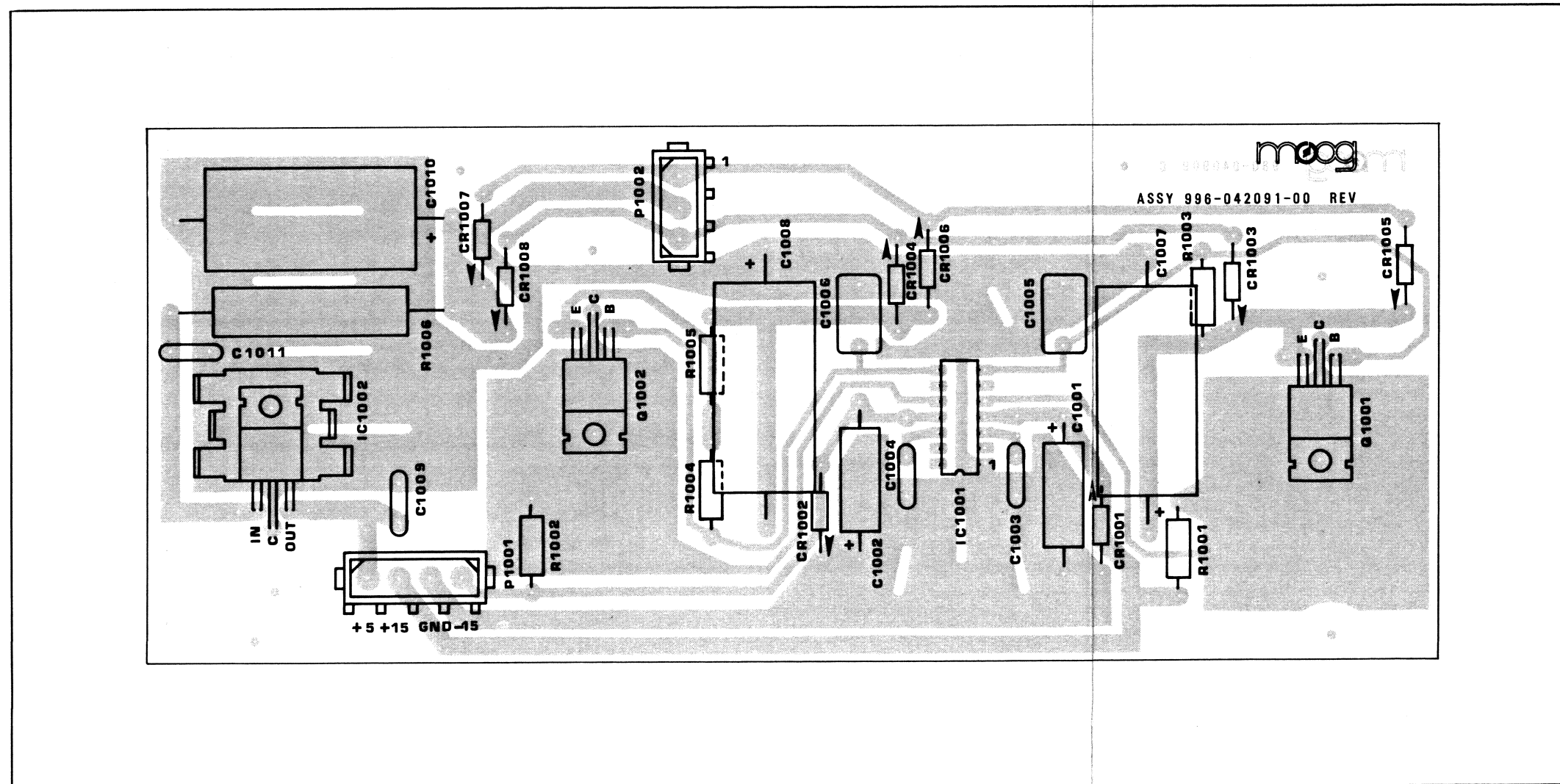


FIGURE 7-1 POWER SUPPLY PRINTED CIRCUIT BOARD

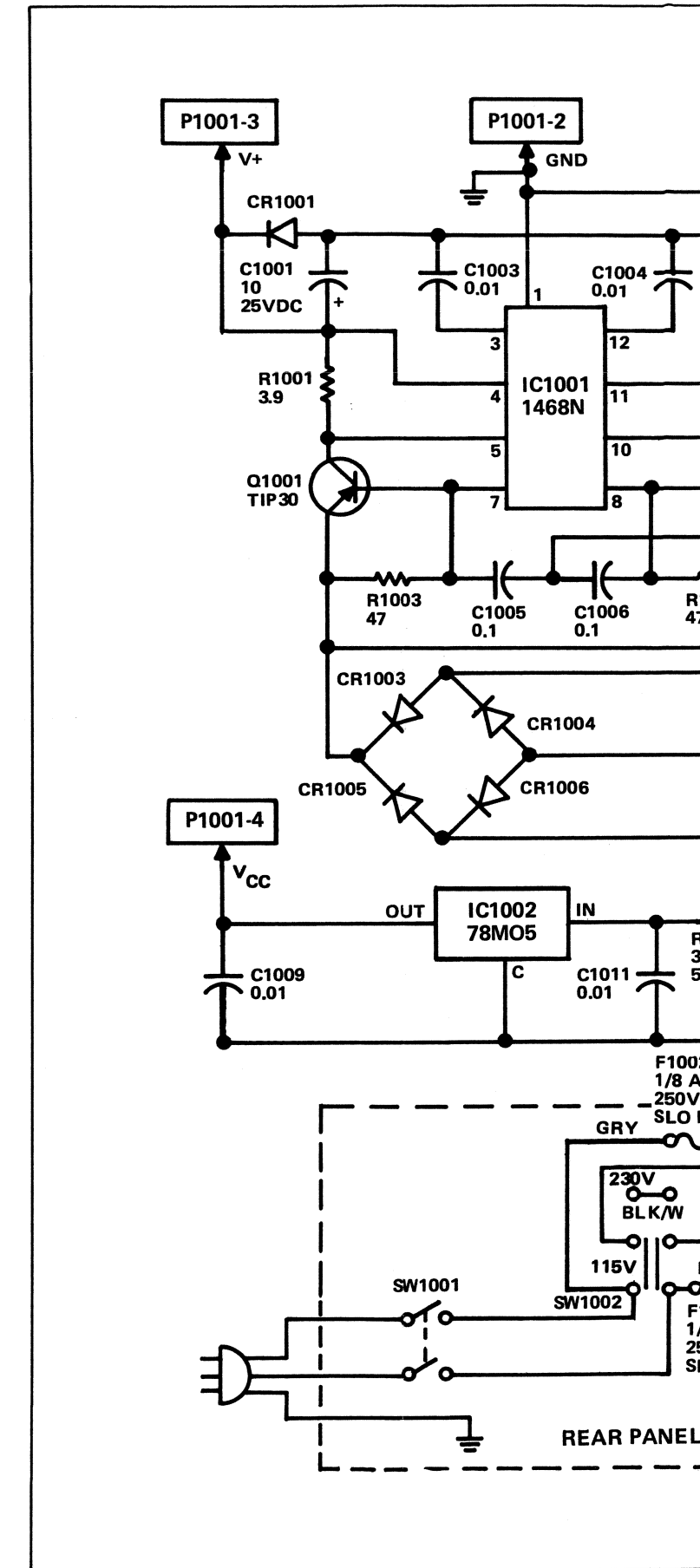
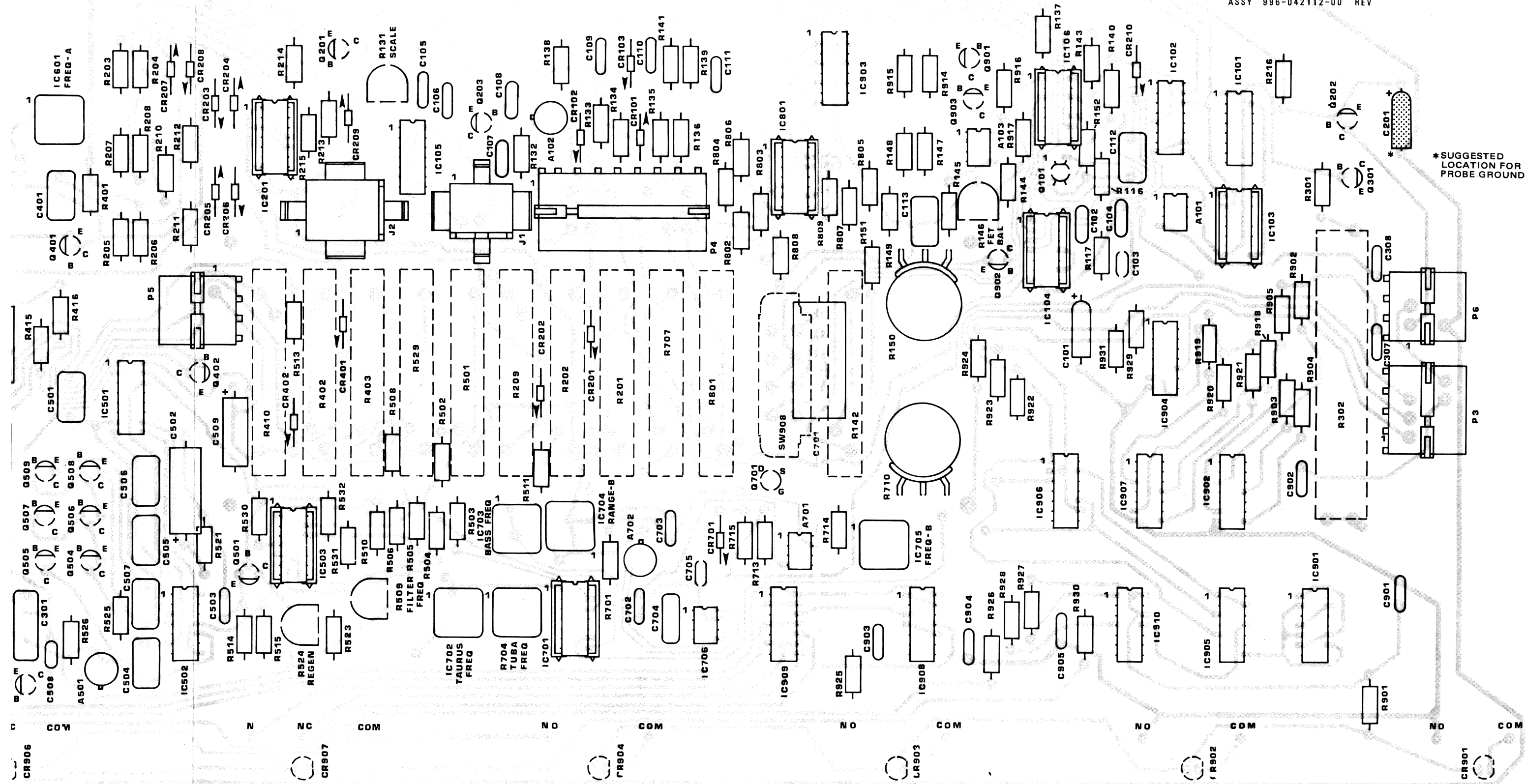


FIGURE 7-2 POWER SUPPLY SCHEMATIC DIAGRAM



*SUGGESTED LOCATION FOR PROBE GROUND

CR906

CR907

CR804

LR903

LR902

CR901

COM

NC

NC

COM

NO

COM

NO

COM

NO

COM

NO

COM

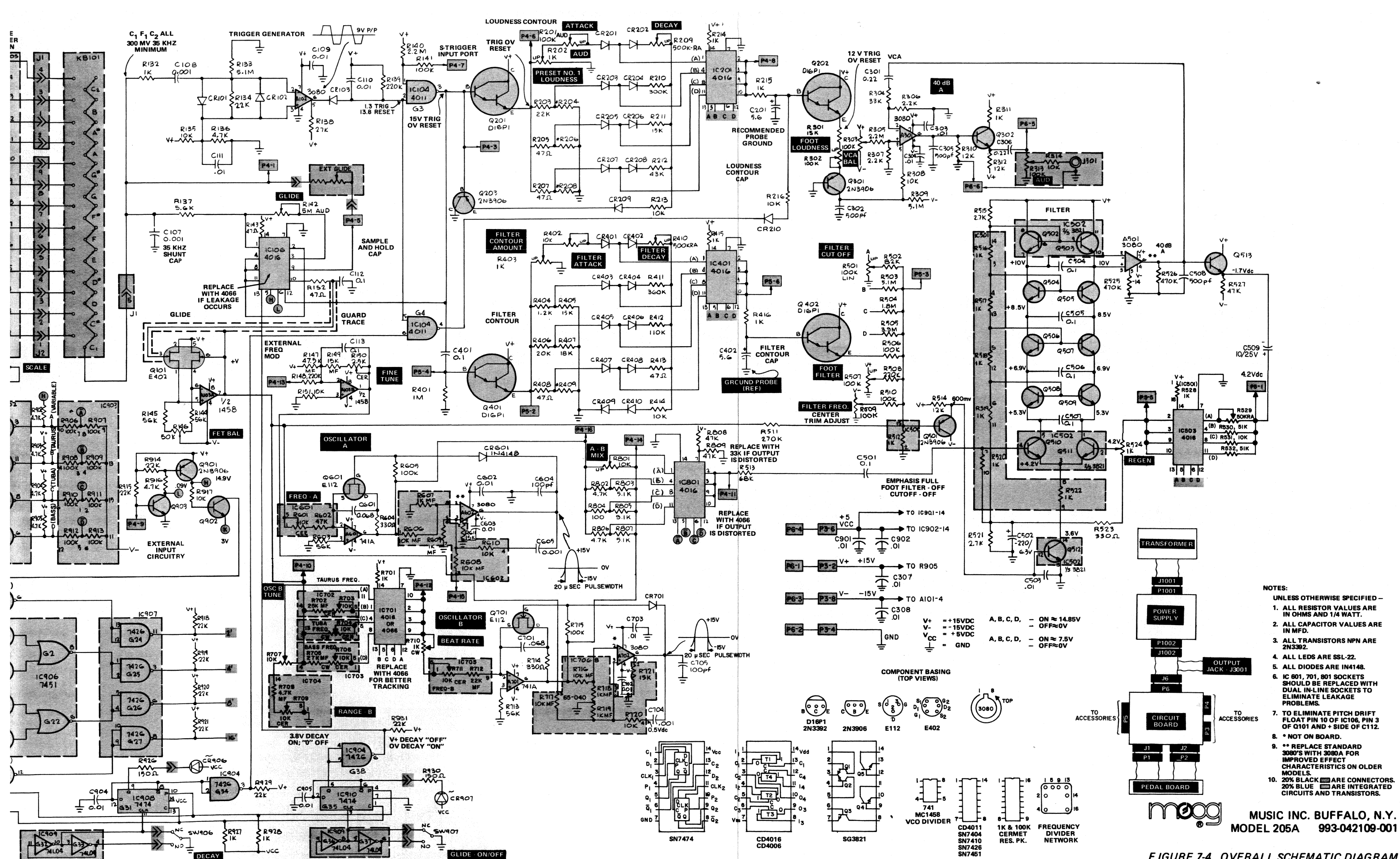


FIGURE 7-4 OVERALL SCHEMATIC DIAGRAM

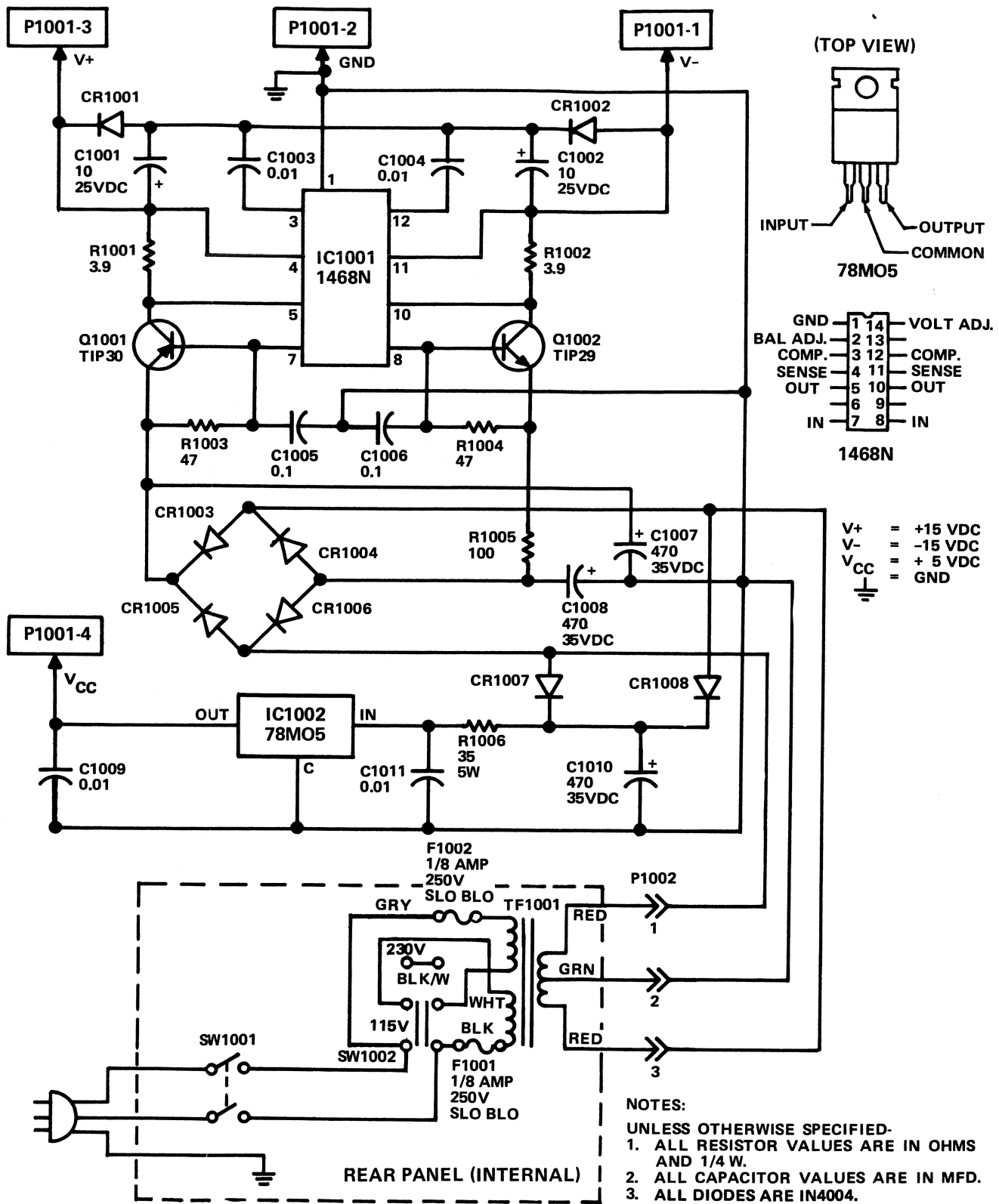


FIGURE 7-2 POWER SUPPLY SCHEMATIC DIAGRAM

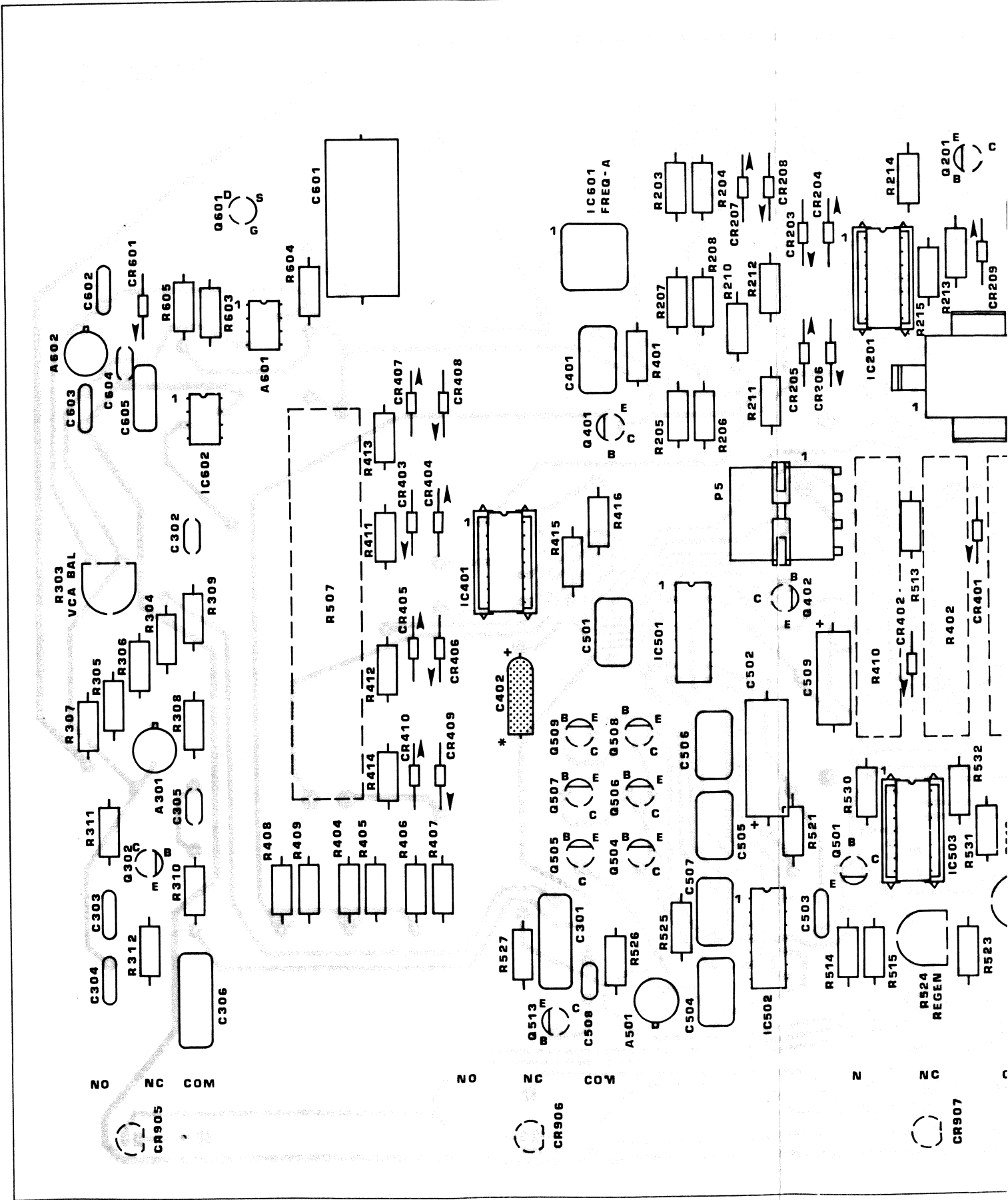
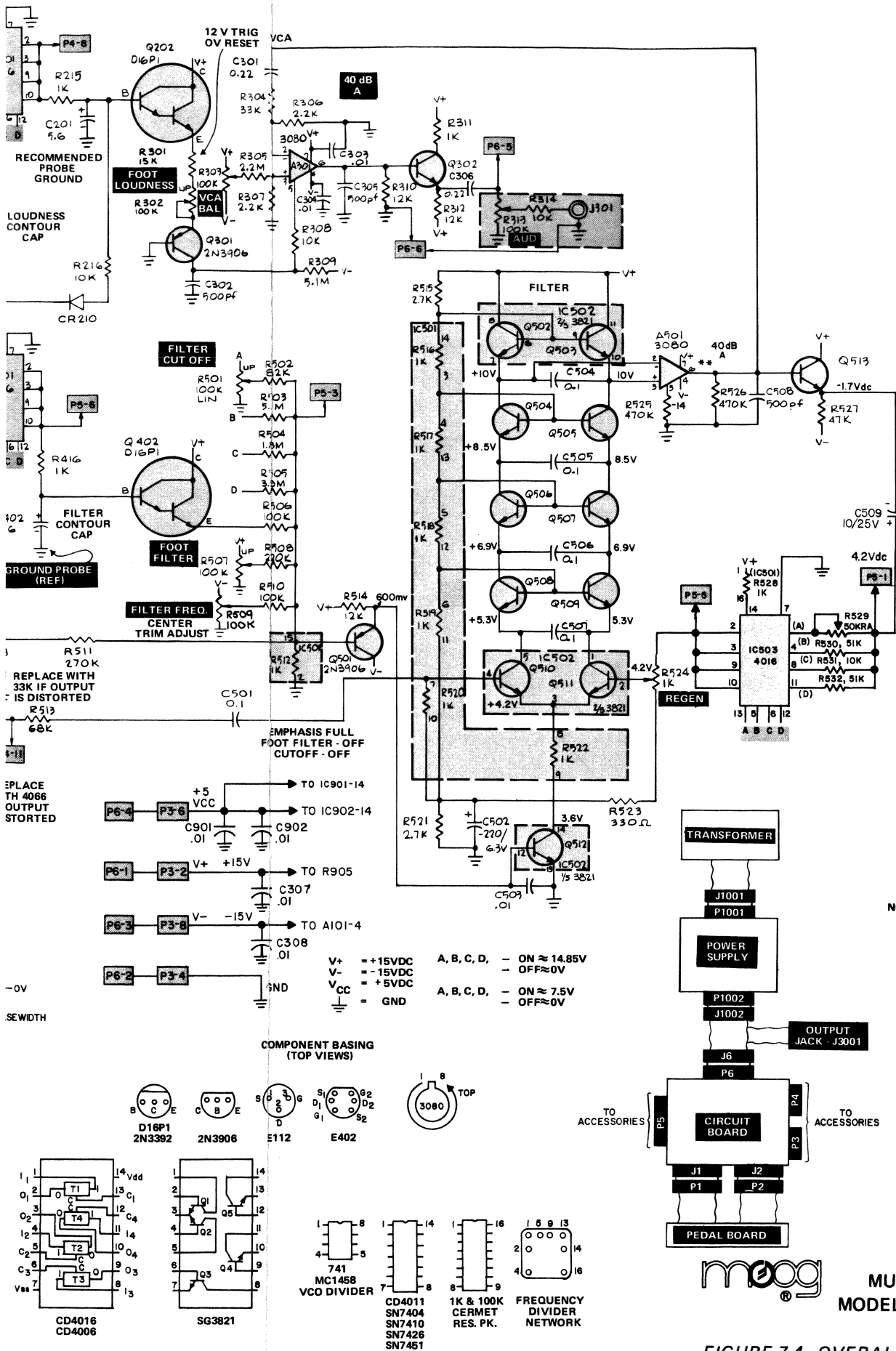


FIGURE 7-3 OVERALL PRINTED CIRCUIT BOARD



- NOTES:**
- UNLESS OTHERWISE SPECIFIED - ALL RESISTOR VALUES ARE IN OHMS AND 1/4 WATT.
 - ALL CAPACITOR VALUES ARE IN MFD.
 - ALL TRANSISTORS NPN ARE 2N3392.
 - ALL LEDES ARE SSL-22.
 - ALL DIODES ARE IN4148.
 - IC 601, 701, 801 SOCKETS SHOULD BE REPLACED WITH DUAL IN-LINE SOCKETS TO ELIMINATE LEAKAGE PROBLEMS.
 - TO ELIMINATE PITCH DRIFT FLOAT PIN 10 OF IC106, PIN 3 OF Q101 AND + SIDE OF C112.
 - * NOT ON BOARD.
 - ** REPLACE STANDARD 3080'S WITH 3080A FOR IMPROVED EFFECT CHARACTERISTICS ON OLDER MODELS.
 - 20% BLACK ARE CONNECTORS. 20% BLUE ARE INTEGRATED CIRCUITS AND TRANSISTORS.

MUSIC INC. BUFFALO, N.Y.
MODEL 205A 993-042109-001

FIGURE 7-4 OVERALL SCHEMATIC DIAGRAM

SCHEMATIC REPEATED ON REVERSE SIDE FOR SERVICE CONVENIENCE.

