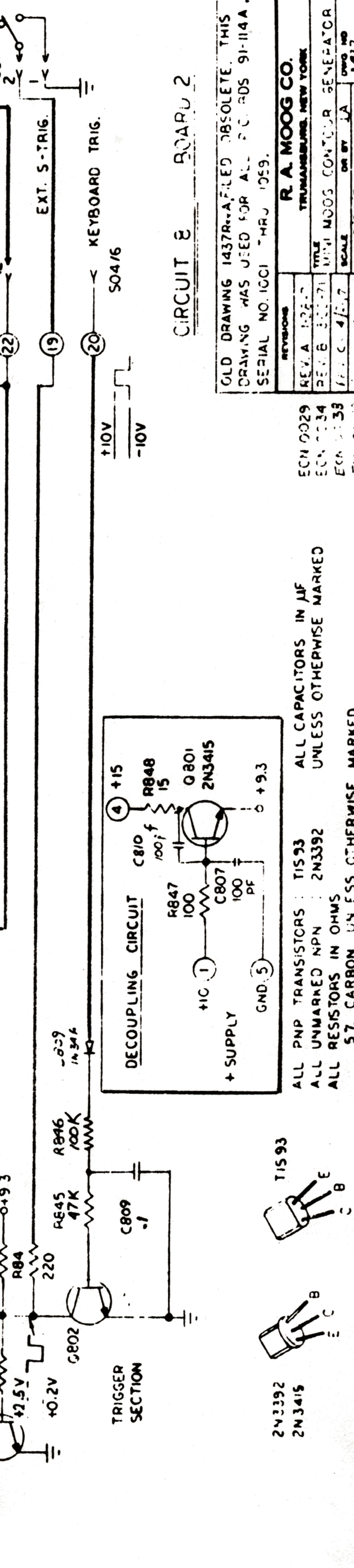
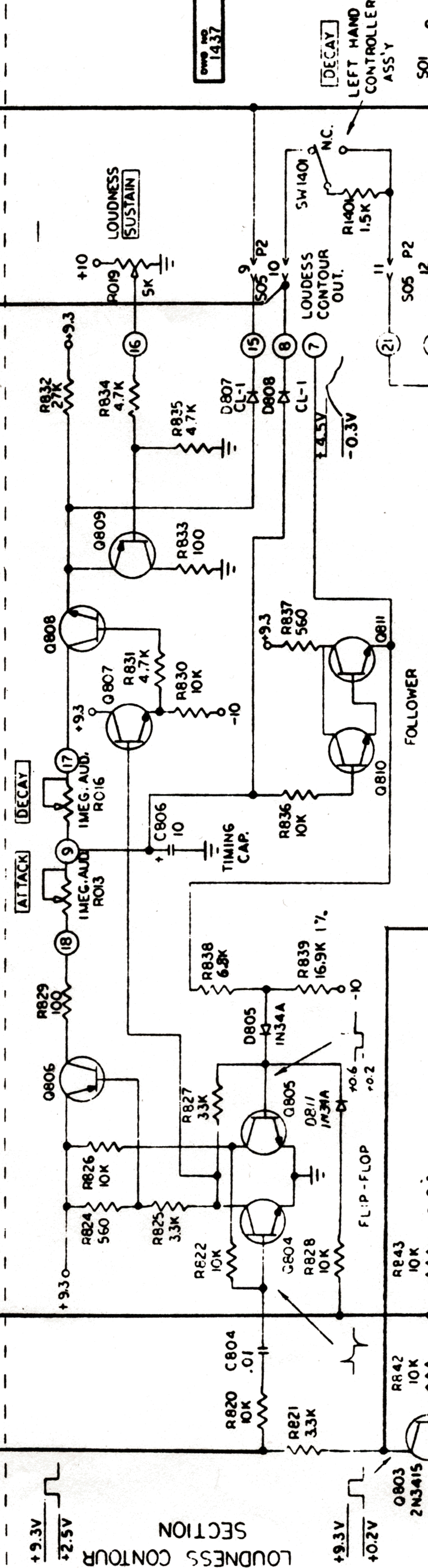
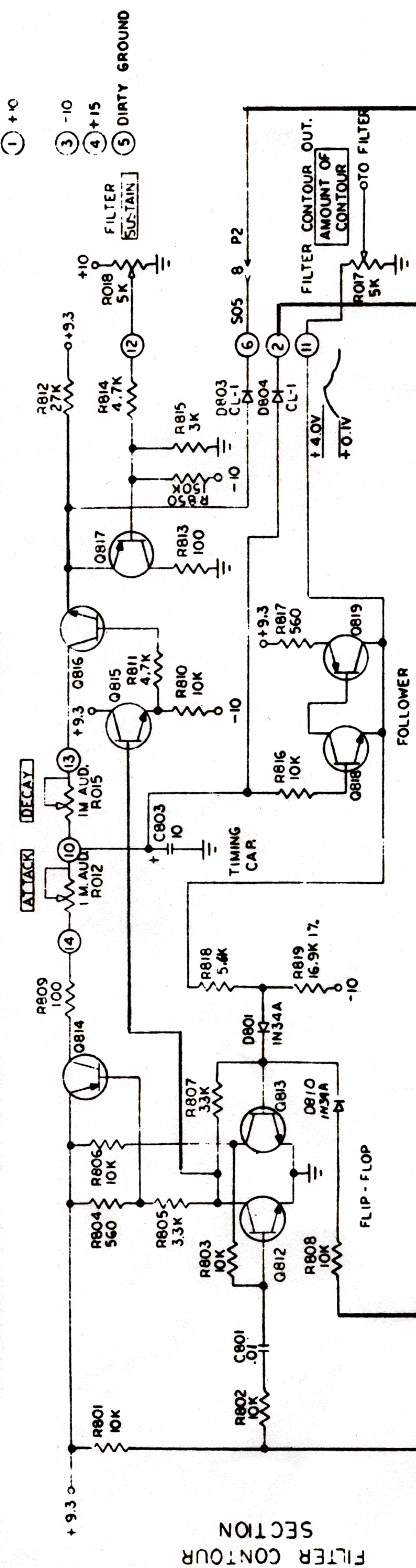


① +10

③ -10

④ +15

⑤ DIRTY GROUND



CIRCUIT 8 BOARD 2

OLD DRAWING 1437R-A FILED OBSOLETE. THIS DRAWING WAS USED FOR ALL PCB'S 91-114A. SERIAL NO. 1001 - MAR 1959.

REV.	DATE	BY	CHKD BY
REV. A	1-22-57		
REV. B	3-25-57		
REV. C	4-25-57		
REV. D	4-25-57		

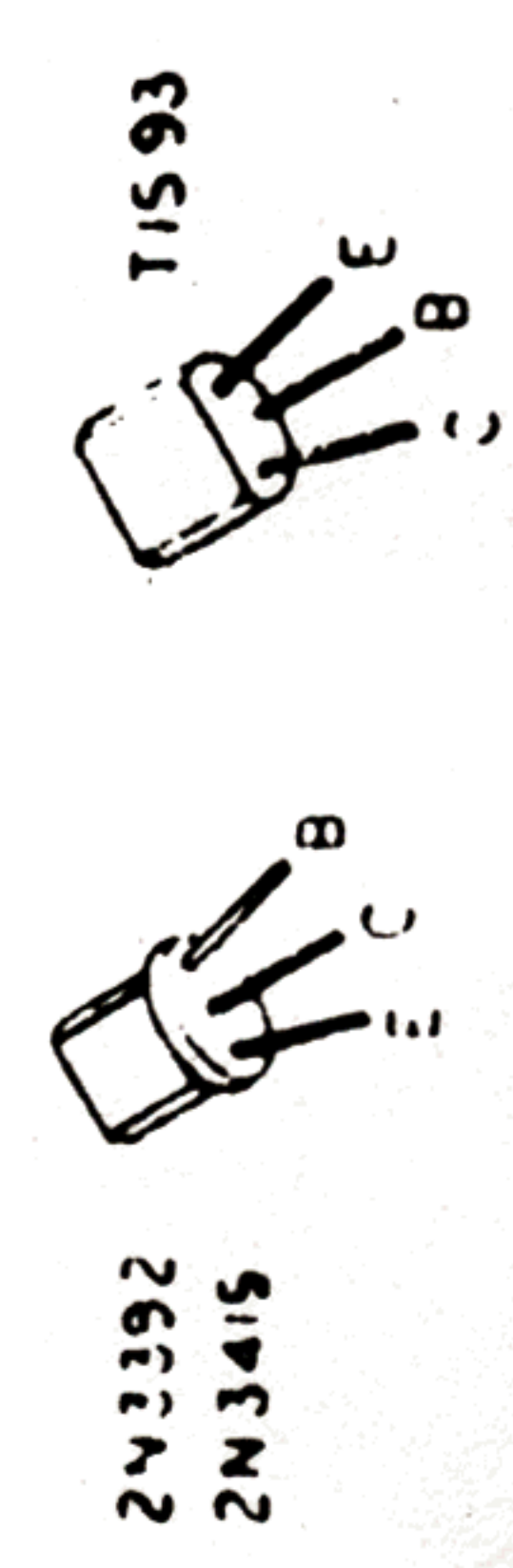
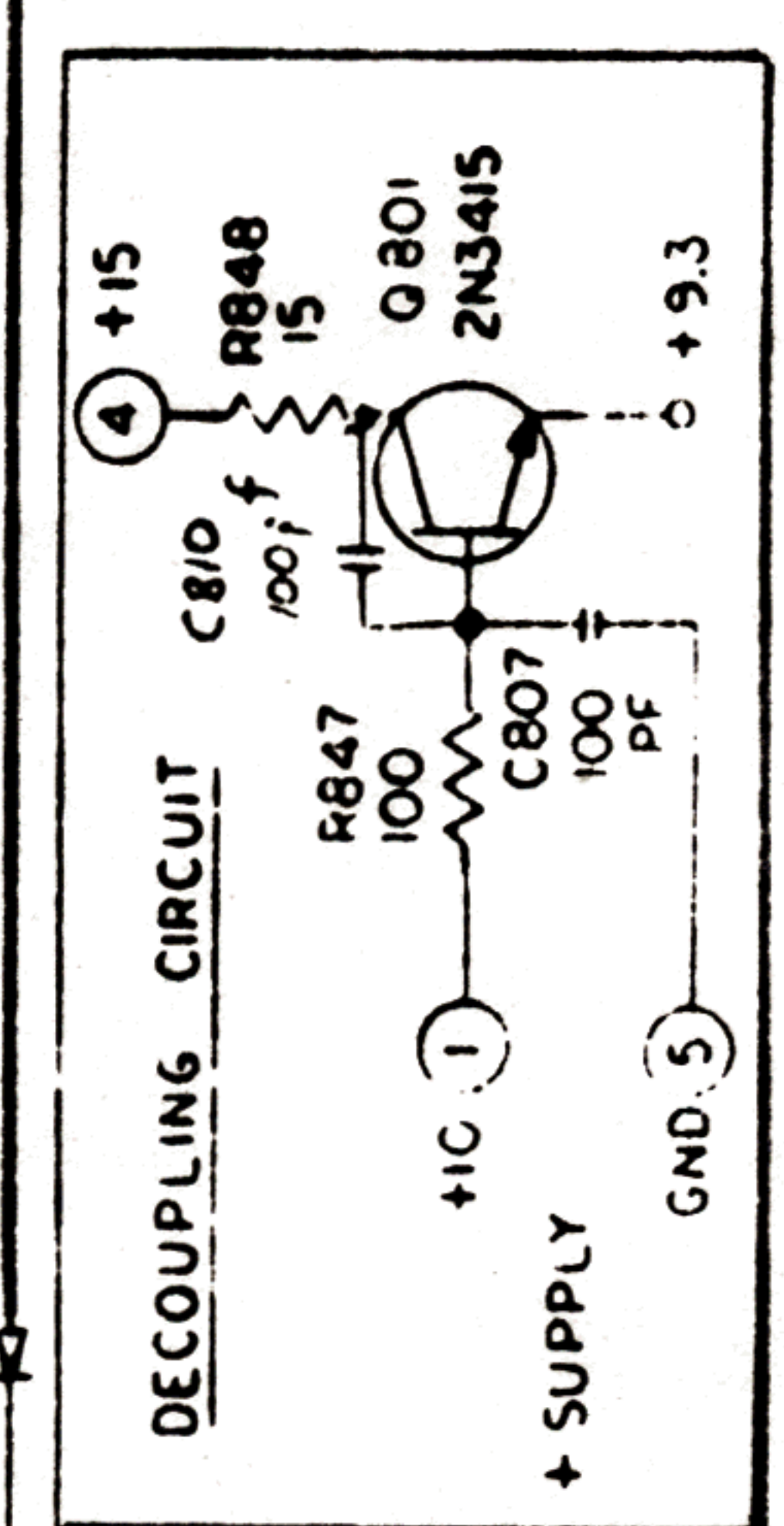
R. A. MOOG CO.
TRUMBURG, NEW YORK

TITLE: MINI MOOG CONTROLLER GENERATOR
SCALE: OR BY JA
DATE: 3-24-77
CHKD BY: 1437

ECN 0029
ECN 0034
Eck 0038
Eck 0039

ALL PNP TRANSISTORS: TIS 93
ALL UNMARKED NPN: 2N3392
ALL RESISTORS IN OHMS
5% CARBON UNLESS OTHERWISE MARKED

ALL CAPACITORS IN μF
UNLESS OTHERWISE MARKED



OWN NO 1437

DECAY

LEFT HAND CONTROLLER ASS'Y

EXT. S-TRIG.

KEYBOARD TRIG.

504/6

+10V

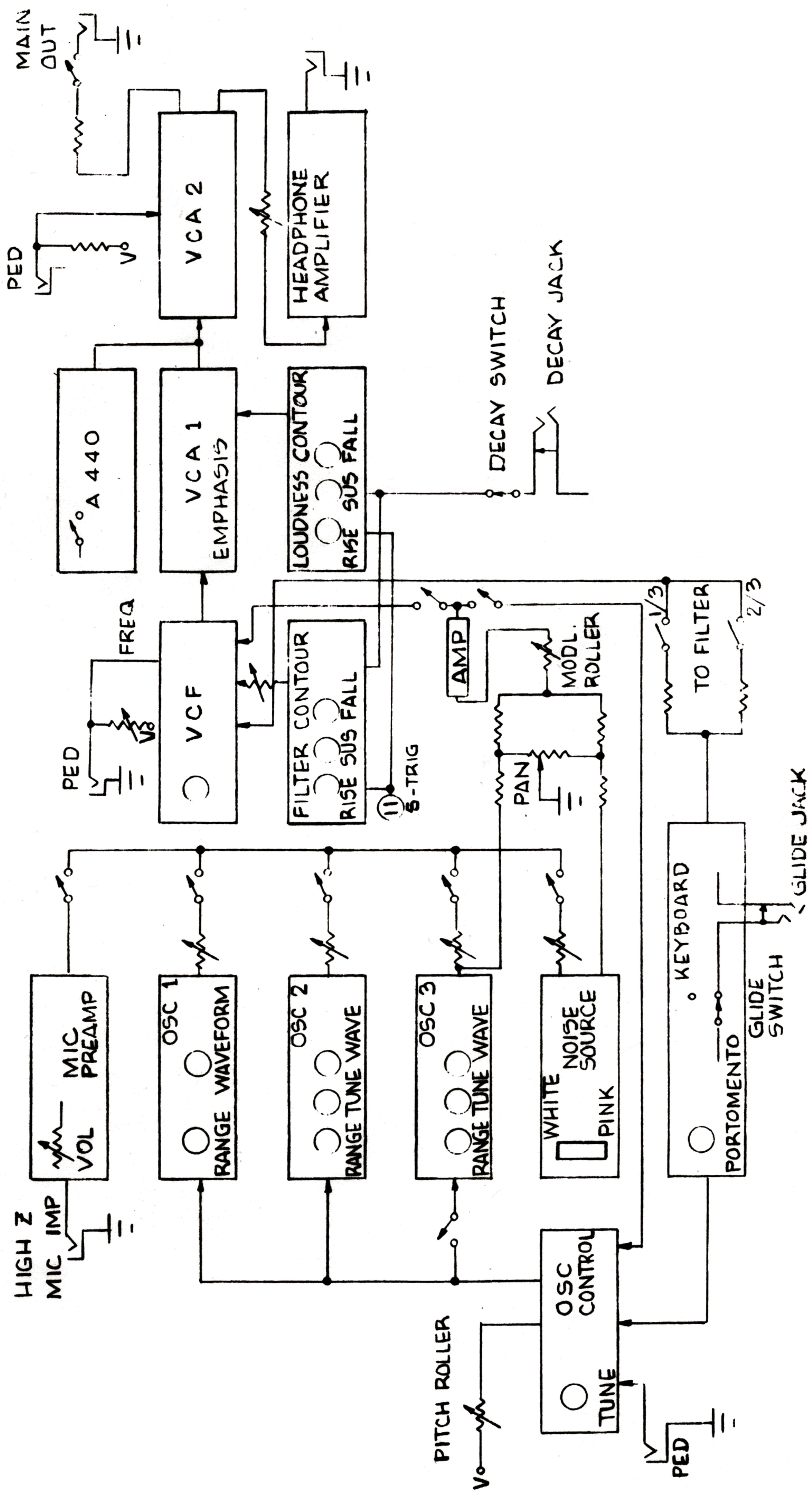
-10V

TRIGGER SECTION

SECTION FILTER CONTOUR

SECTION LOUDNESS CONTOUR

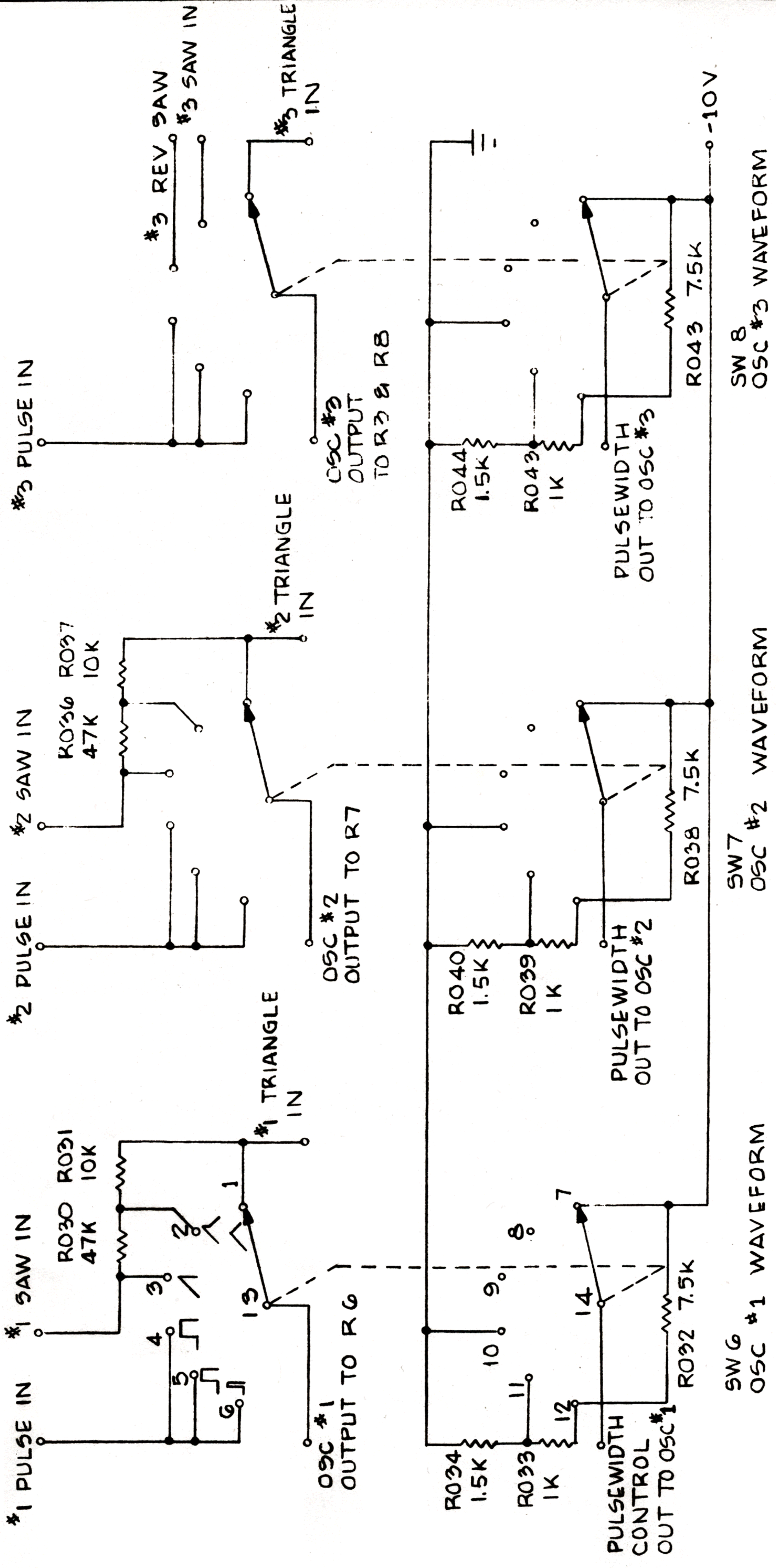
SECTION



960 SEQUENCER COMPATIBLE

ALL EXTERNAL CONTROLLERS (✓ AND (11)) ARE OPTIONAL EXTRAS.

REVISIONS	R. A. MOOG CO. TRUMANSBURG, NEW YORK		
	TITLE	DR. BY	DWG. NO.
	MINI SYNTH BLOCK DIAG.		1429
	SCALE	DATE	
		CK'D. BY	



SW 6
OSC #1 WAVEFORM

SW 7
OSC #2 WAVEFORM

SW 8
OSC #3 WAVEFORM

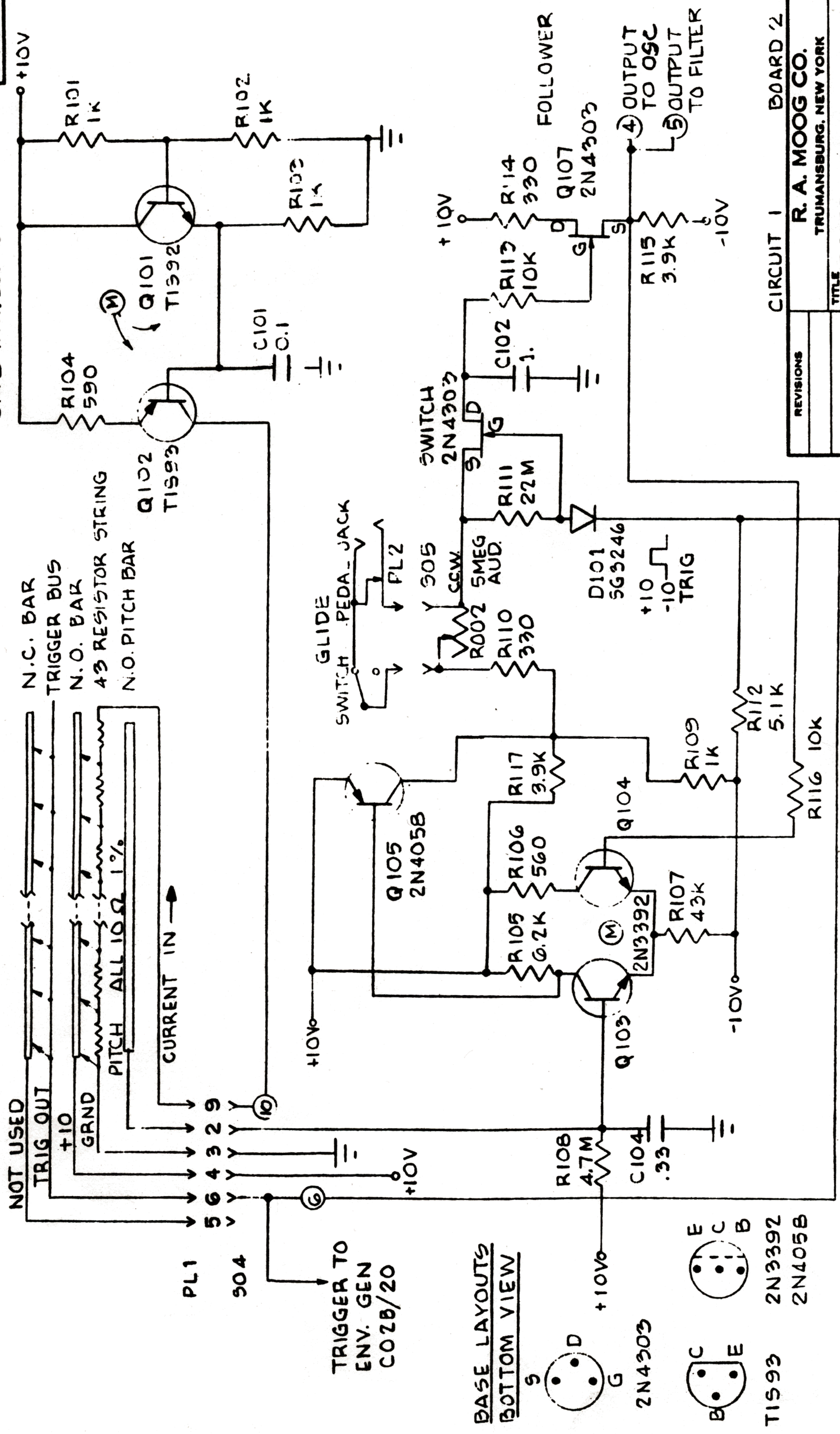
CIRCUIT #000 FRONT PANEL

REVISIONS	DATE	DR. BY	CK'D. BY
<p>TITLE WAVEFORM SWITCHING MINI'D</p>			
<p>SCALE</p>			
<p>DATE</p>			

R. A. MOOG CO.
TRUMANSBURG, NEW YORK

DWG. NO. 1448

3.48 Ma. SOURCE

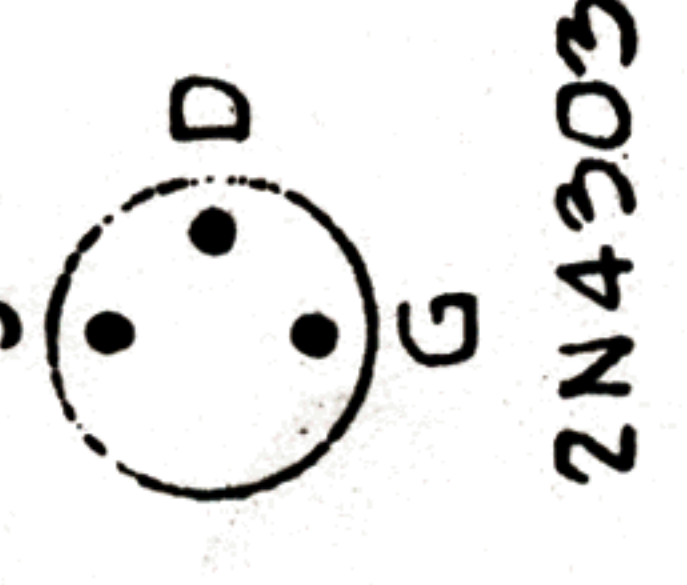


N.C. BAR
TRIGGER BUS
N.O. BAR
43 RESISTOR STRING
N.O. PITCH BAR

NOT USED
TRIG OUT
+10
GRND
PITCH ALL 10Ω 1%
CURRENT IN

PL1
504
TRIGGER TO ENV. GEN CO2B/20

BASE LAYOUTS
BOTTOM VIEW



2N4303
2N3392
2N405B

REVISIONS

CIRCUIT 1 BOARD 2

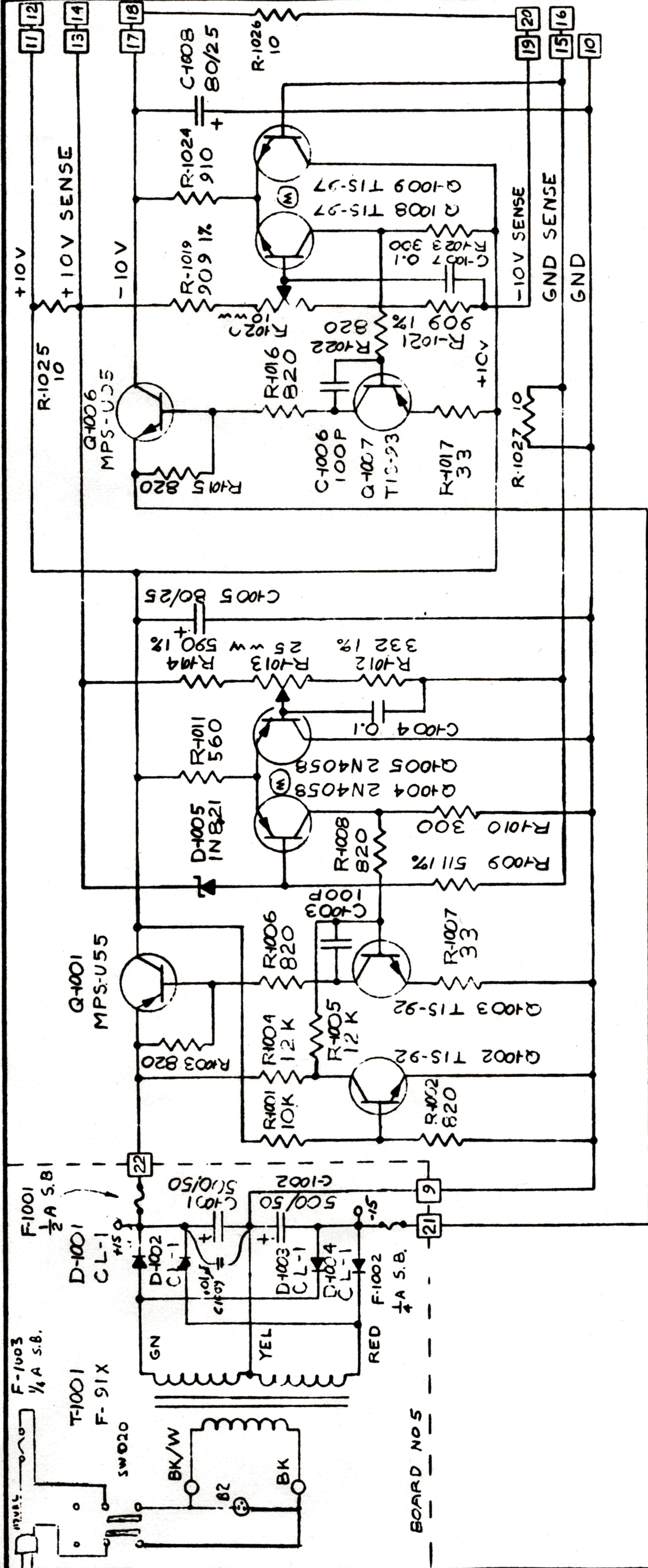
R. A. MOOG CO.
TRUMANSBURG, NEW YORK

TITLE
KEYBOARD CIRCUIT

SCALE
DATE

DR. BY
CKD. BY

NOTES 1. ALL EDGE CONNECTIONS MATE WITH CO2A
2. ALL CAPACITOR VALUES IN MICROFARADS.

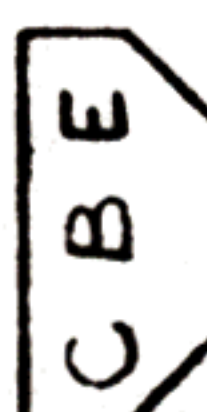


ALL CAPACITORS IN MICROFARADS UNLESS OTHERWISE NOTED
 ALL RESISTORS IN OHMS 1/2 W
 P.C. BOARD 91-115

Q-1004 & Q-1005 MATCHED & SUNK TOGETHER
 Q-1006 & Q-1007 " " " "

BASE LAYOUTS

- 2N4058 TIS 92 MPS U05
- TIS 93 MPS U55
- TIS 97



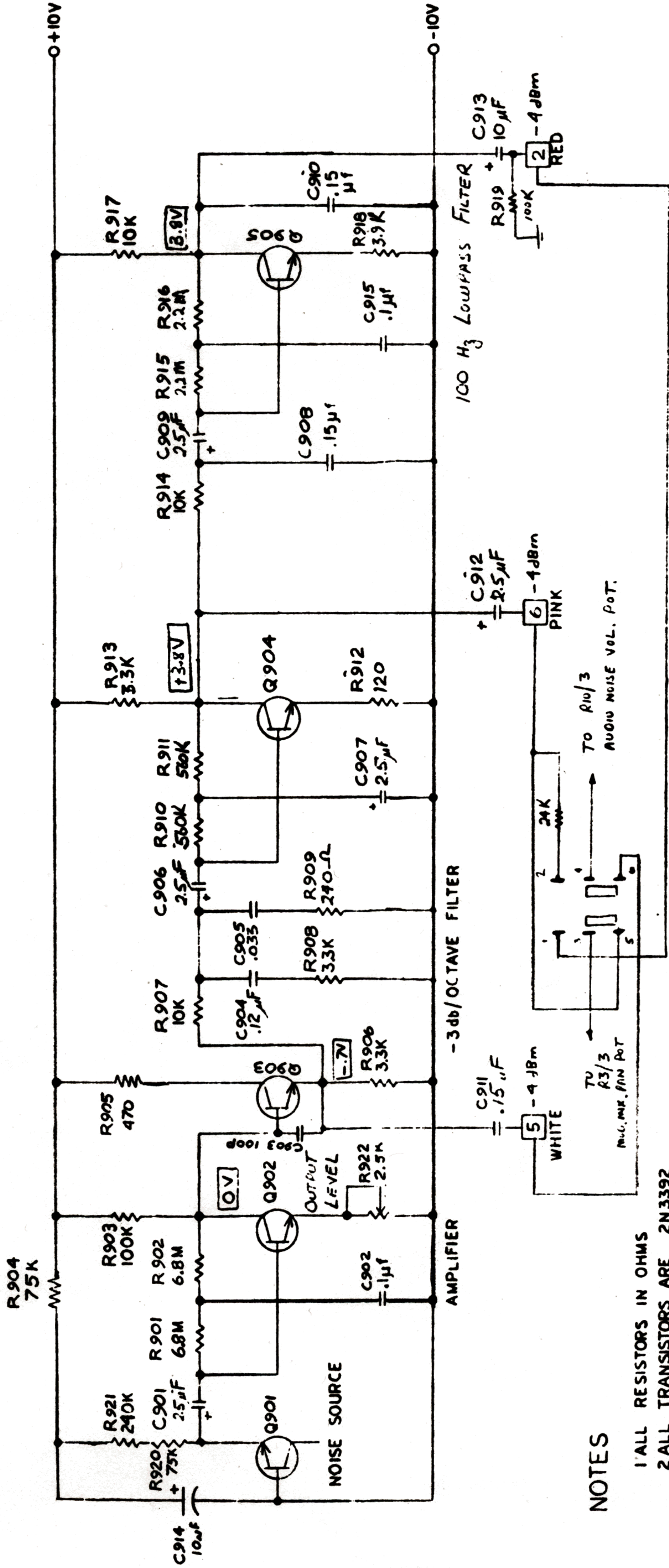
CIRCUIT 10 BOARD NO.3 91-115

REVISIONS	
REV A	4/2/71
R. A. MOOG CO. TRUMANSBURG, NEW YORK	
TITLE POWER SUPPLY, MIN-D	
SCALE	DR BY CLH
DATE 11-9-70	CK'D. BY VPRH
	DWG. NO. 1435

ECN 0036

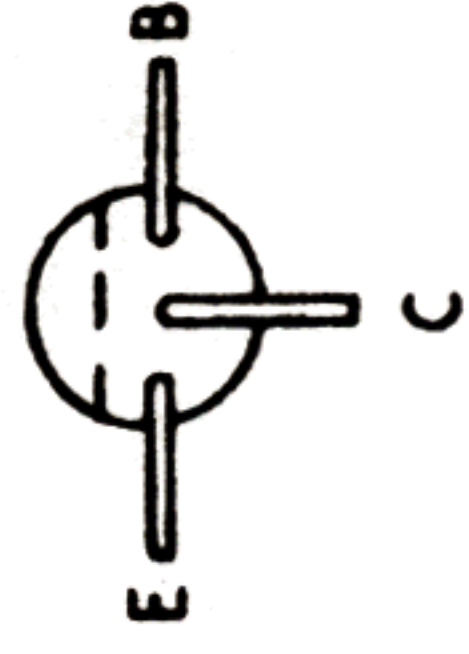
ALL D.C. VOLTAGES $\pm 3V$

- 1 +10
- 2 GND
- 3 -10



NOTES

- 1 ALL RESISTORS IN OHMS
- 2 ALL TRANSISTORS ARE 2N3392 (Q901 IS SELECTED)

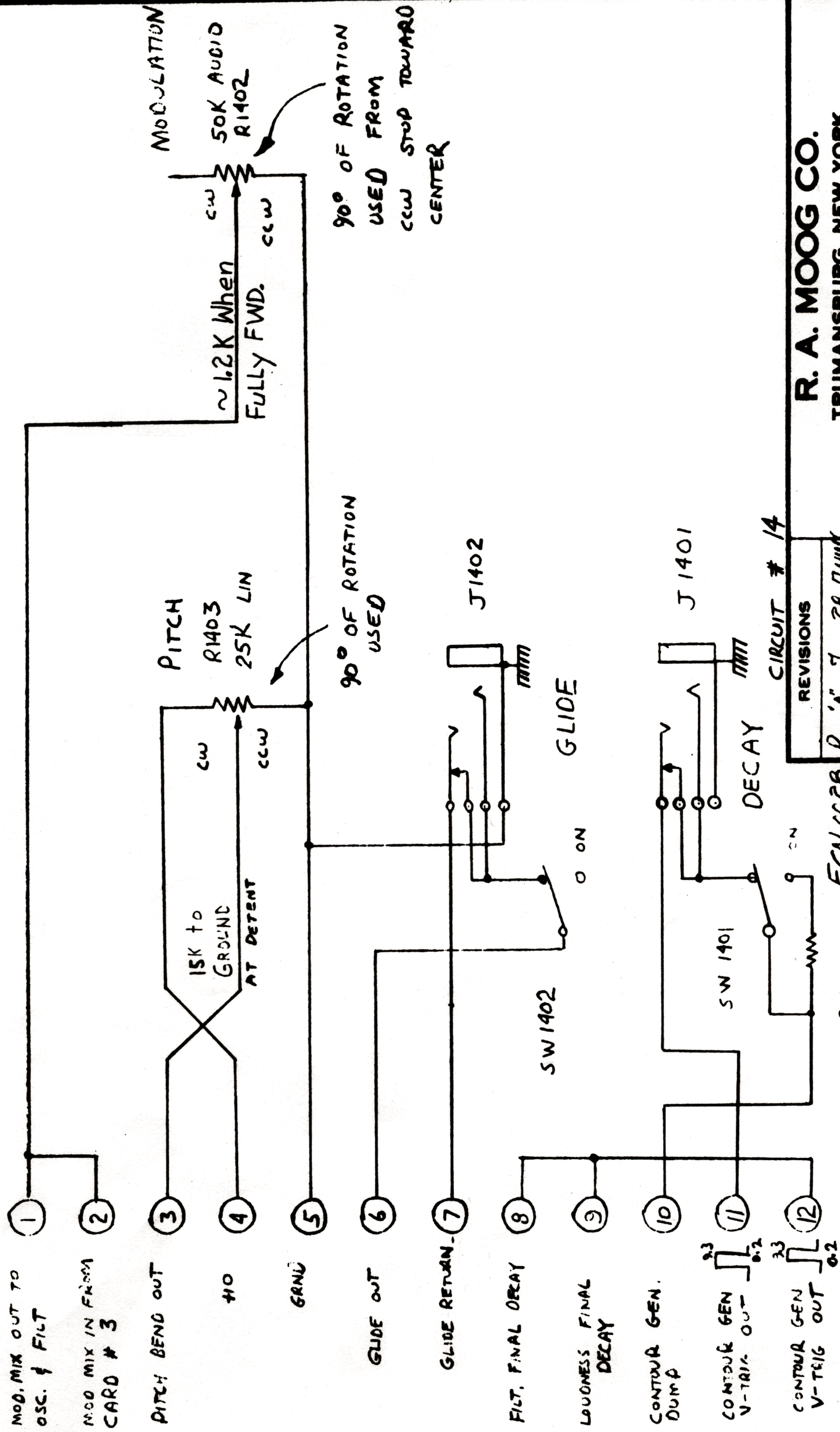


2N3392 BOTTOM VIEW

REVISIONS

R. A. MOOG CO.	
TRUMANSBURG, NEW YORK	
TITLE RANDOM SIGNAL GENERATOR (FOR THE MINI SYN.)	
SCALE	DR. BY JA
DATE 11/3/70	CK'D. BY
	DWG. NO. 1431

PL-2 12 PIN CINCH JONES PLUG



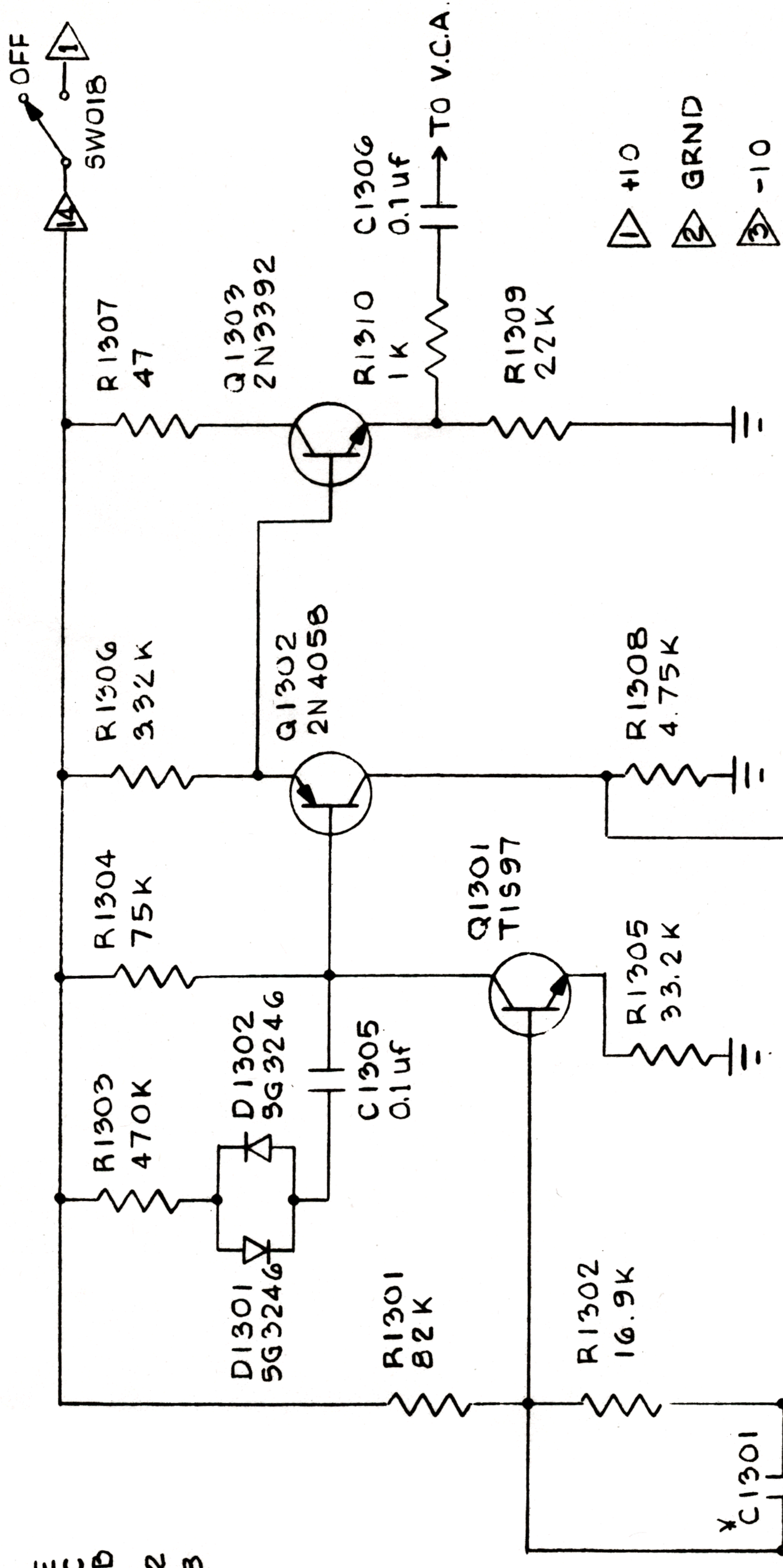
R. A. MOOG CO.	
TRUMANSBURG, NEW YORK	
TITLE MINI D	LEFT HAND CONTROLLER
SCALE DR. BY JLS	DATE
DATE	CK'D. BY
DWG. NO. 1449	

REVISIONS	CIRCUIT # 14
Rev A Jan 28, 7/1971	
ECN 0044	7/1971
ECN 0028	REV B
R1401	1.5K

BASE LAYOUTS
BOTTOM VIEW



T1597
2N3392
2N4058



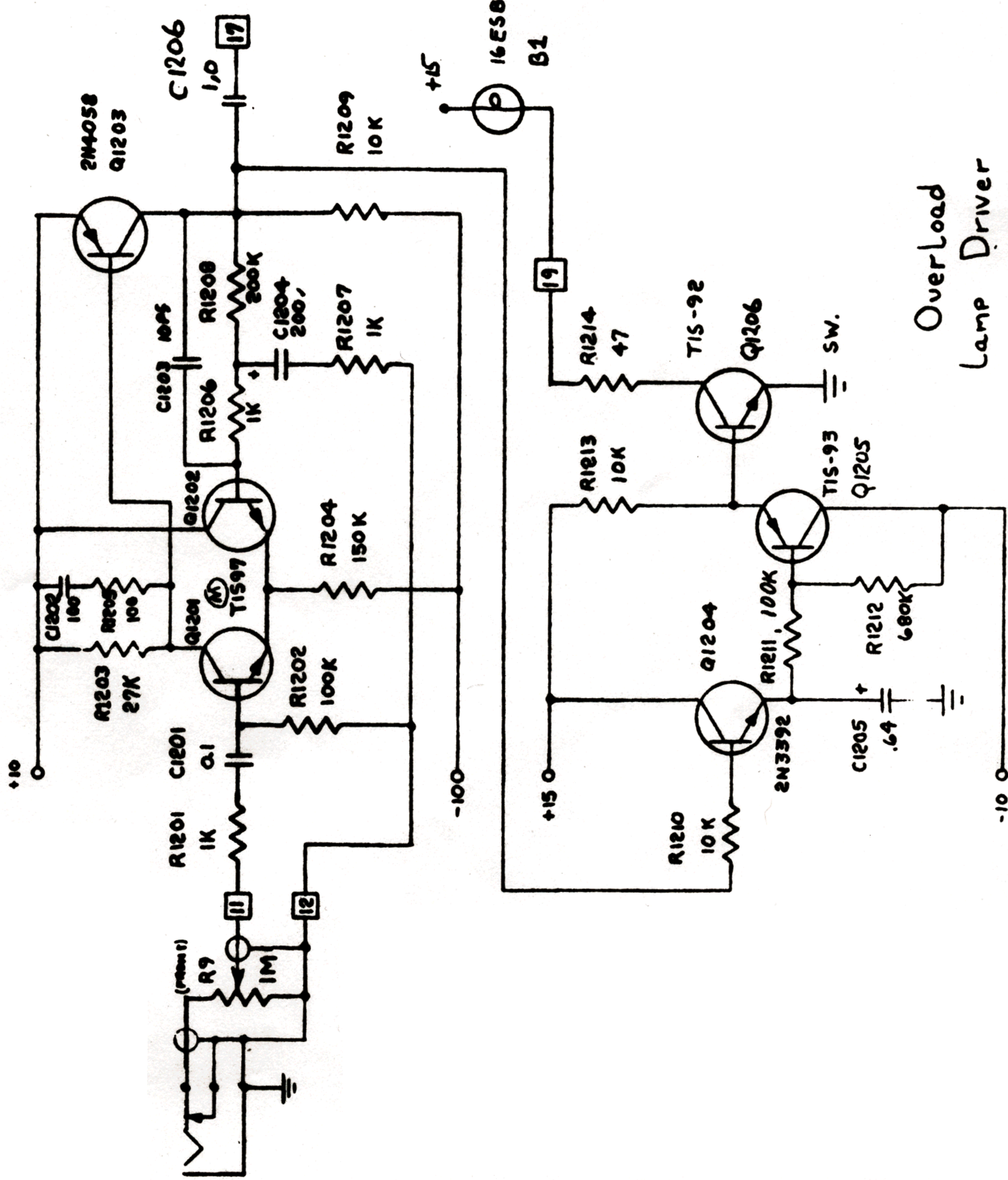
*NOTE:
C1303 + C1304 = .0307 ± 1%
C1301 + C1302 = .0307 ± 1%

CIRCUIT 13 BOARD 4

REVISIONS	
TITLE	MINI 'D' A440 REF OSC
SCALE	
DATE	
DR. BY	
CK'D. BY	

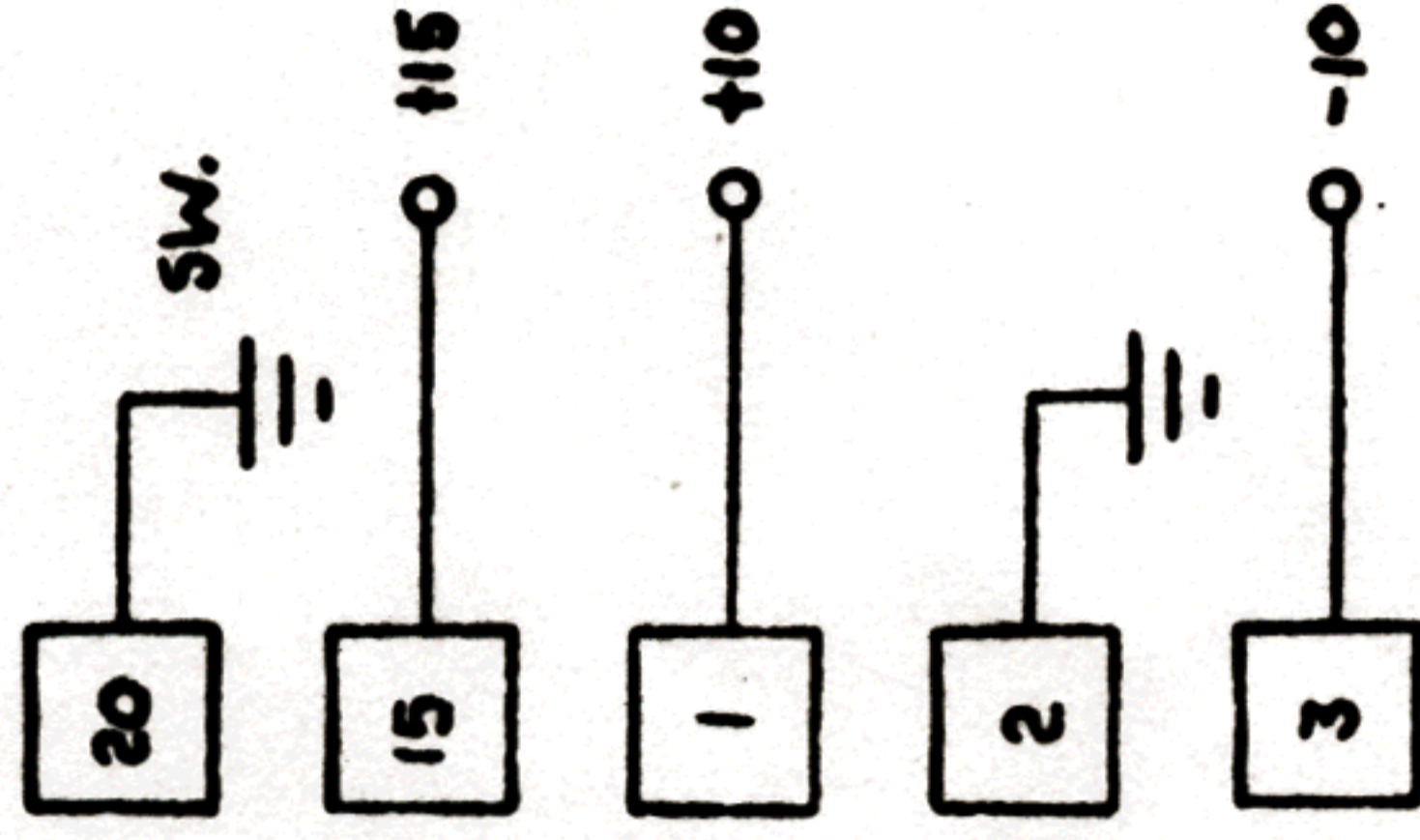
R. A. MOOG CO.
TRUMANSBURG, NEW YORK

External Input Preamplifier

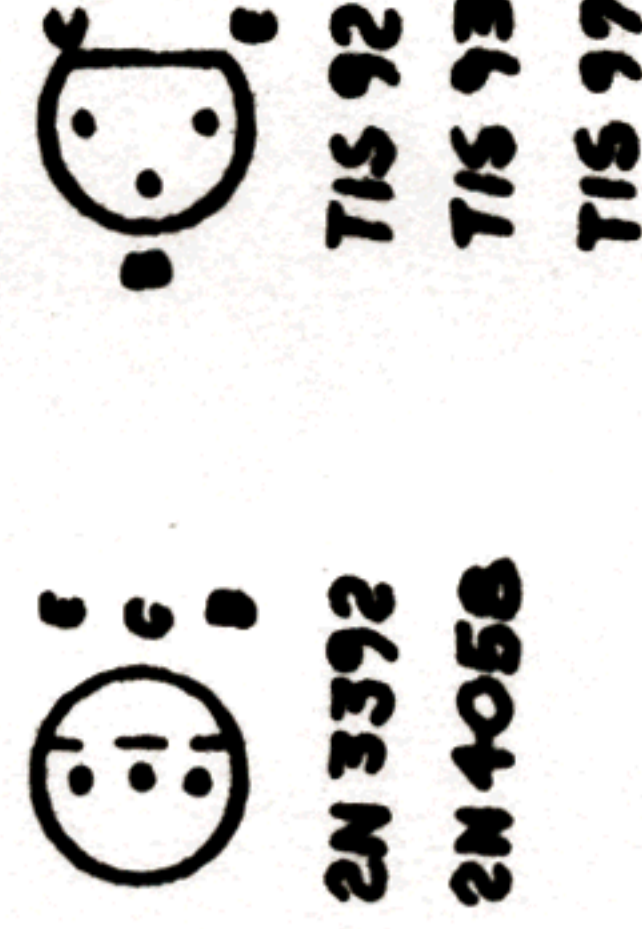


NOTES:

- a) RESISTORS IN OHMS.
- b) CAPACITORS IN μF .



BASE LAYOUT



CIRCUIT # 12 BOARD # 4
CONNECTOR COF

ECN 033

REVISIONS	DATE	BY	NO
Rev. A	Feb. 1971	JLA	1

Overload
Lamp Driver

R. A. MOOG CO.
TRUMANSBURG, NEW YORK

TITLE MINI SCHEMATIC { EXT. PREAMP
FLAME DRIVER

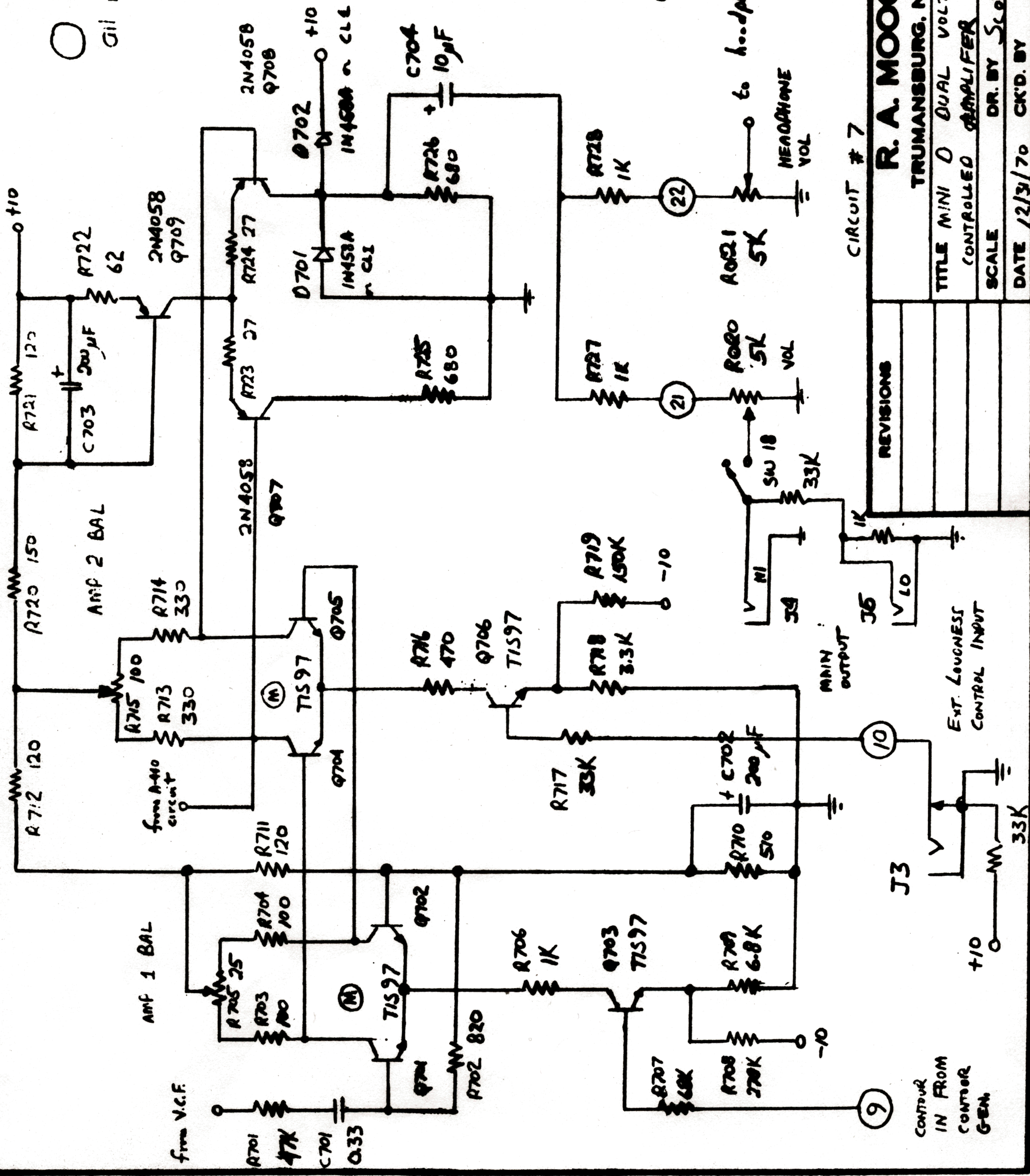
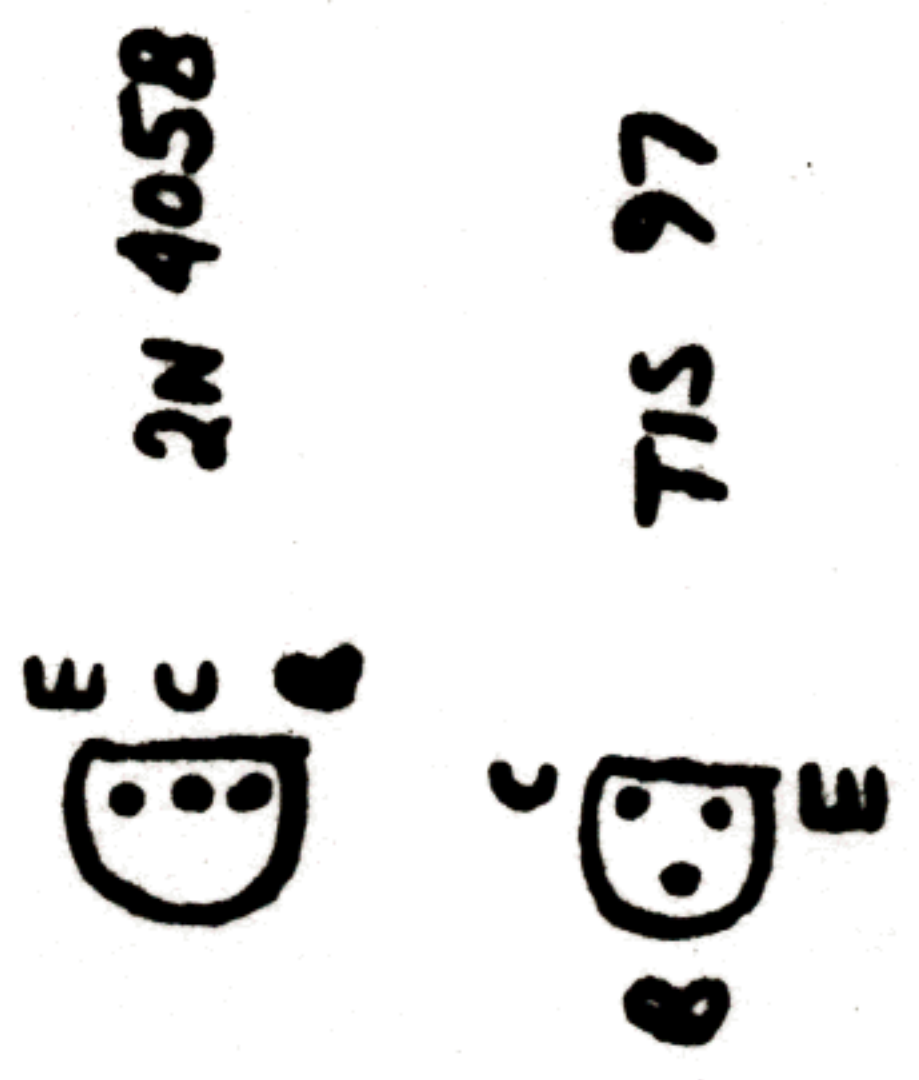
SCALE — DR. BY JLA DWG. NO 1442

DATE 12-70 CRD. BY

○ → edge connector
 Gil resistances in Ω

- ① +10V
- ② GRND
- ③ -10V

BASE LAYOUTS



CIRCUIT # 7

BOARD # 4

R. A. MOOG CO.

TRUMANSBURG, NEW YORK

TITLE MINI D DUAL VOLTAGE

CONTROLLED AMPLIFIER

SCALE DR. BY SCOTT

DATE 12/31/70 CK'D. BY

DWG. NO. 1445

REVISIONS

Ext. Loudness Control Input

Control In From Control Gen.

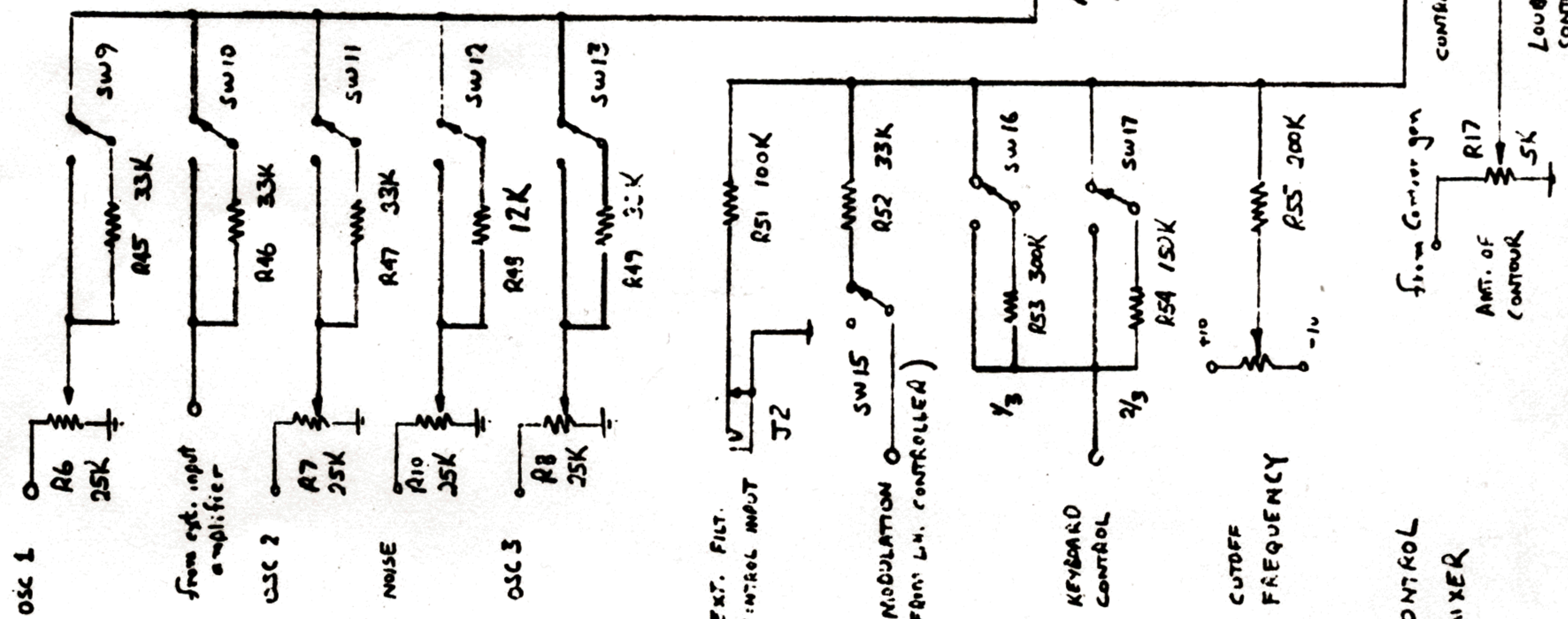
J3

MINI OUTPUT

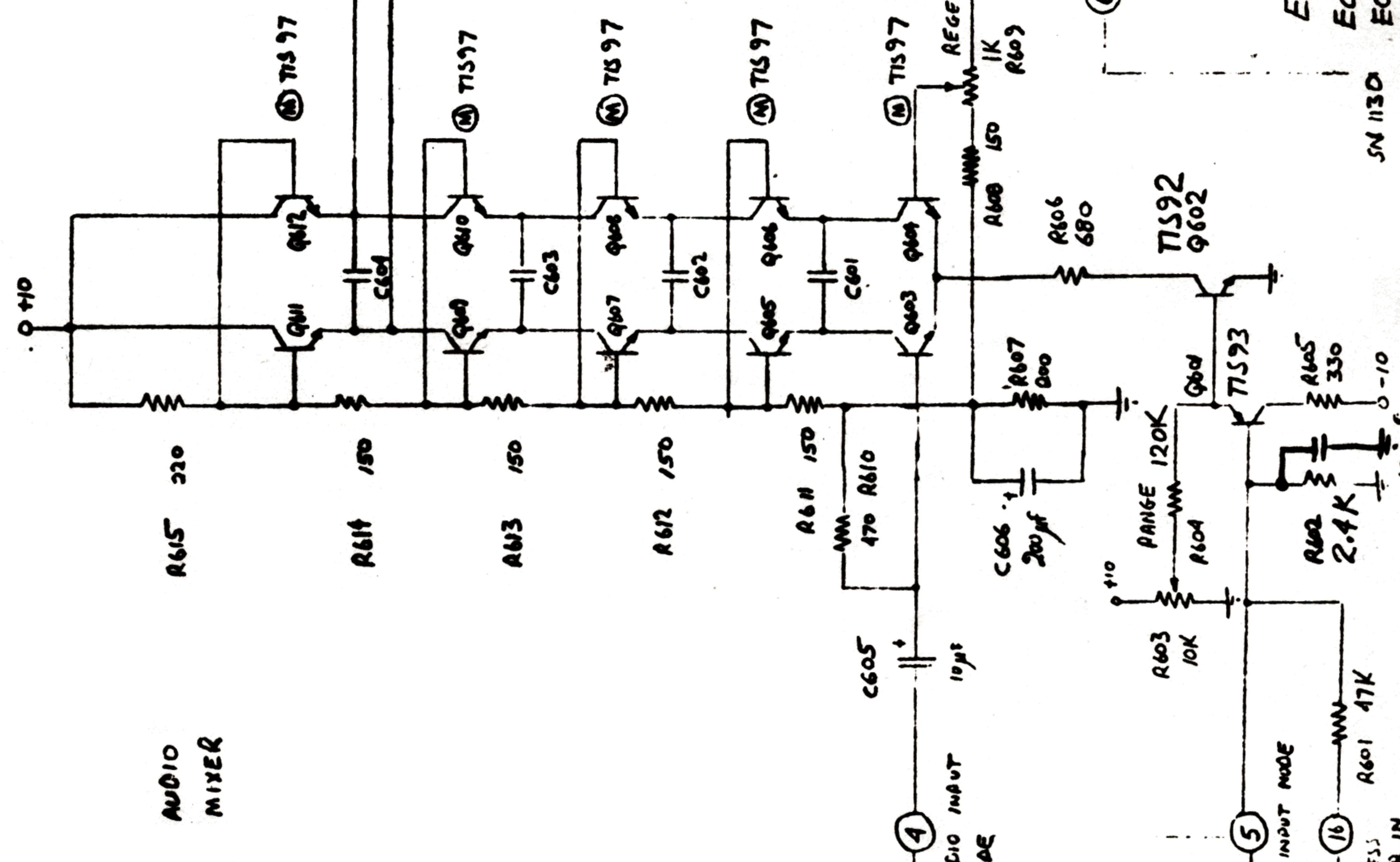
HEADPHONE VOL

to headphone amp

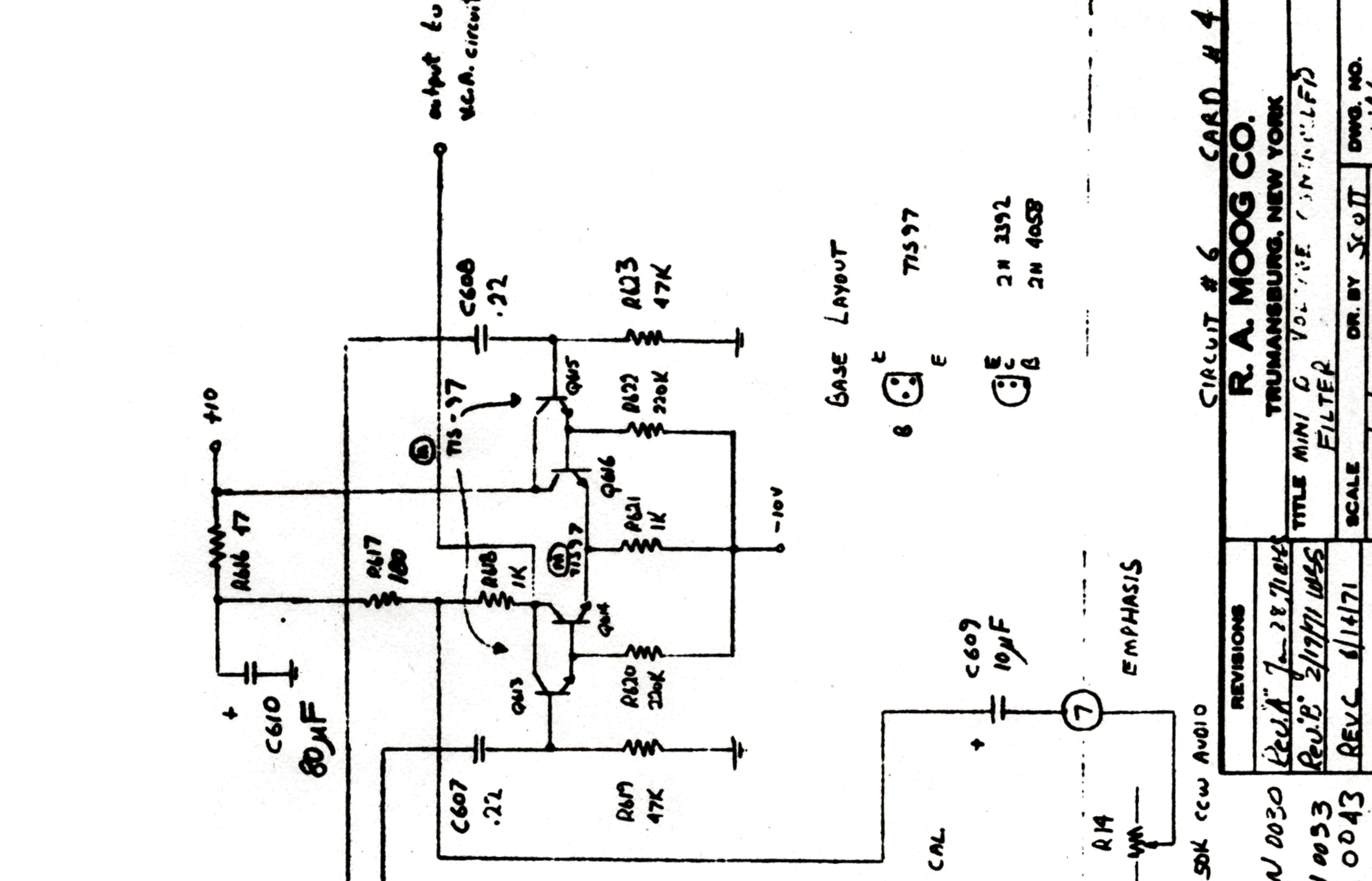
INPUT SECTION (FRONT PANEL)



FILTER



BUFFER



CIRCUIT # 6 CARD # 4

R. A. MOOG CO.
TRUMANSBURG, NEW YORK

TITLE MINI G VOLU. FILTER (CONTINUED)

SCALE OR. BY SCOTT

DATE 1/3/71 CKD. BY 1446

DRG. NO. 1446

REVISIONS

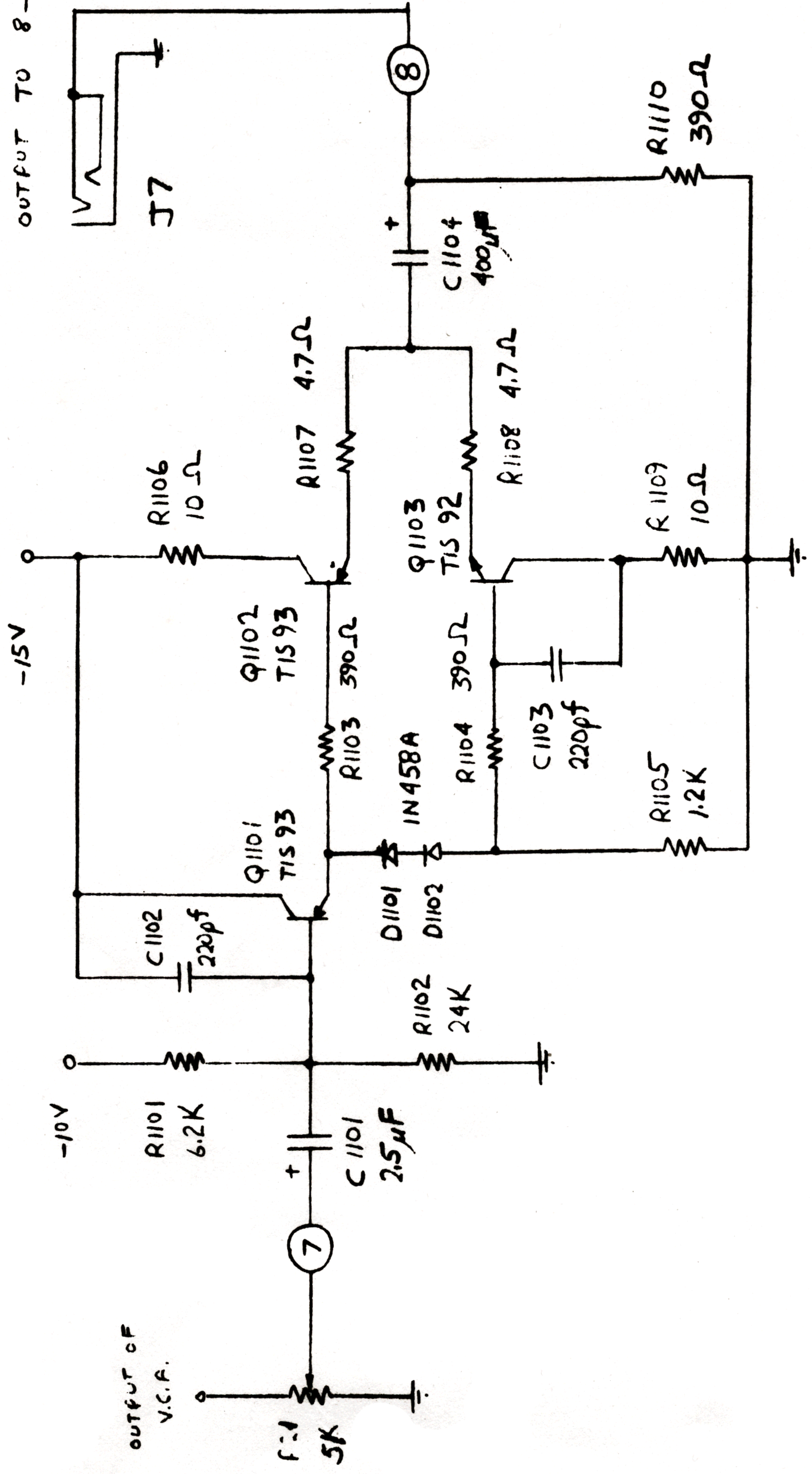
ECN 0030 Rev. A 7-28-71

ECN 0053 Rev. B 2/17/71 WSS

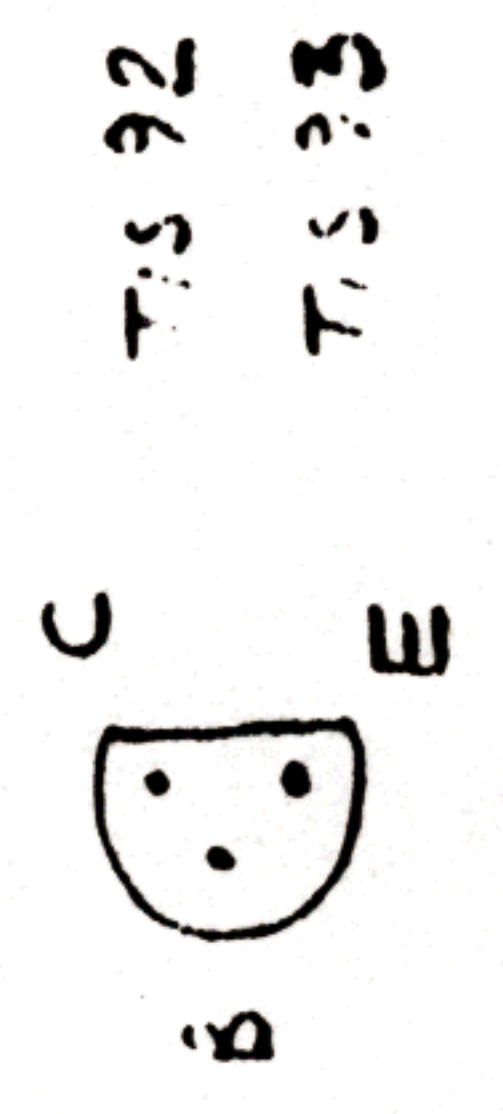
ECN 0043 Rev. C 6/14/71

SN 1130

OUTPUT TO 8-Ω STEREO HEADPHONES



BASE LAYOUT



CIRCUIT # 11

ECARD # 3

R. A. MOOG CO.
TRUMANSBURG, NEW YORK

TITLE MINI MOOG D
HEADPHONE AMPLIFIER

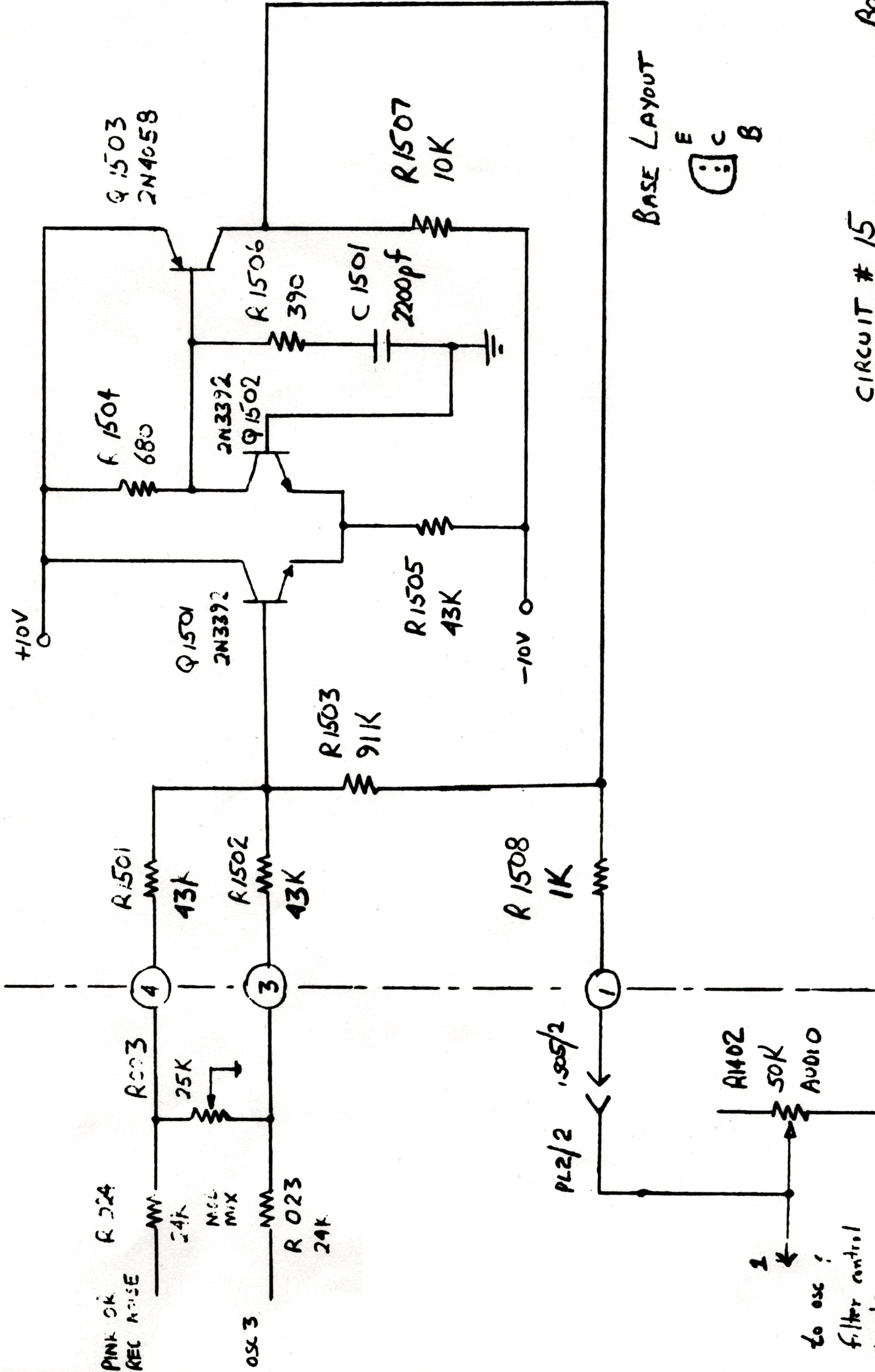
SCALE DR. BY JLS

DATE 1/5/70 CK'D. BY

DWG. NO.

1447

REVISIONS



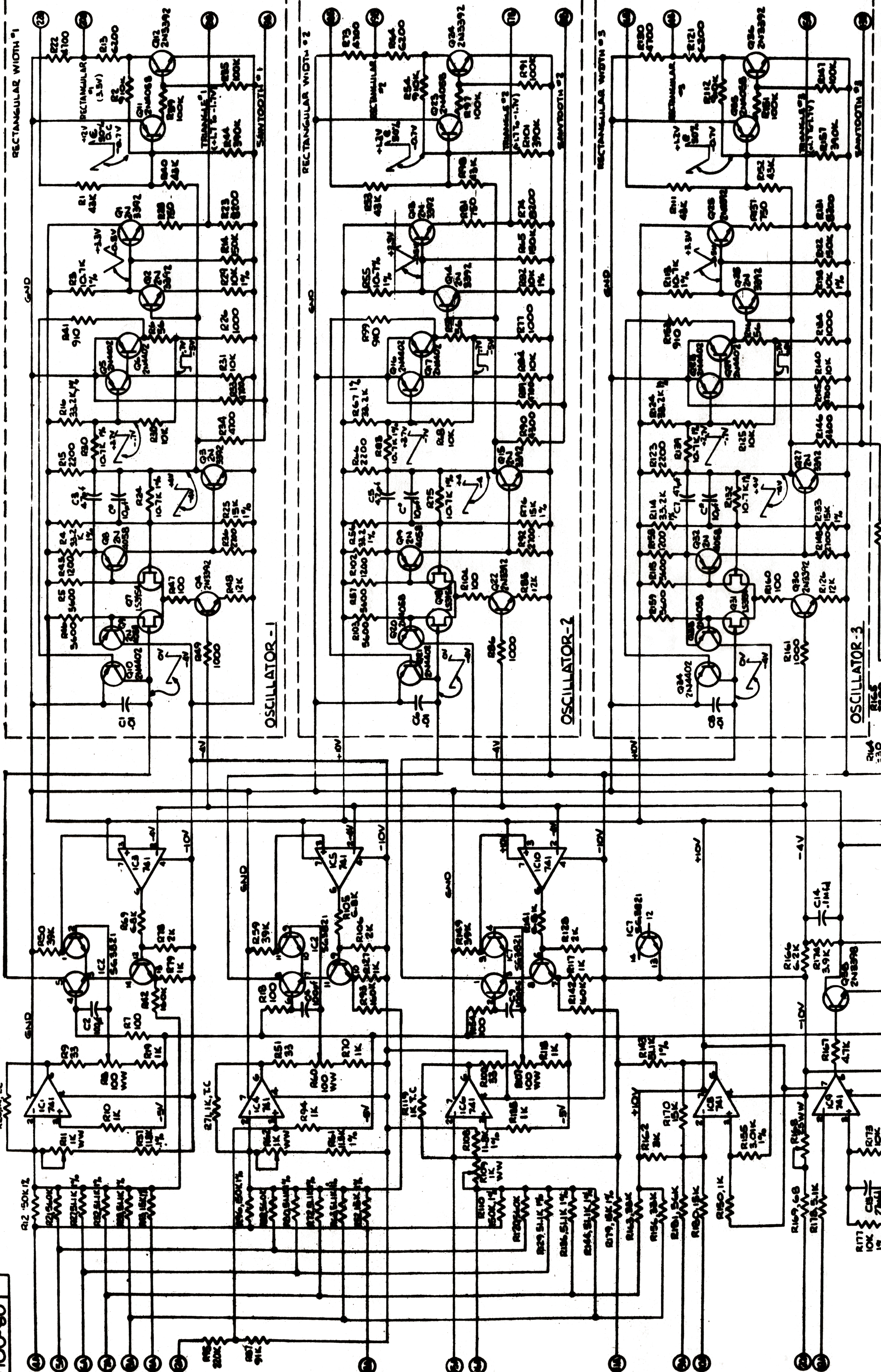
BASE LAYOUT
 E
 C
 B

CIRCUIT # 15 BOARD # 3

R. A. MOOG CO.			
TRUMANSBURG, NEW YORK			
REVISIONS		TITLE MINI D MODULATION MIX AMP	
		SCALE DR. BY SCOTT	
		DATE 12/31/70 CK'D. BY	
		DWG. NO. 1444	

LEFT HAND
 AMOUNT OF MODULATION
 CONTROL

to osc ;
 filter control
 inputs



COMPONENT REE

- 2N4392 BOTTOM VIEW
- 2N4058 BOTTOM VIEW
- 2N4058B BOTTOM VIEW
- 2N402 BOTTOM VIEW
- LS8754 BOTTOM VIEW
- 741 TOP VIEW
- 741 TOP VIEW

REV	DESCRIPTION	DATE	BY
1	ISSUED FOR PRODUCTION	10-10-72	JRS

NOTES:
 1. RESISTOR VALUES UNLESS OTHERWISE INDICATED IN MICROFARADS UNLESS OTHERWISE INDICATED.
 2. LIST SYMBOLS USED ON PCB BOARD.

REV	DESCRIPTION	DATE	BY
1	ISSUED FOR PRODUCTION	10-10-72	JRS

REVERSE'S 3
 SAWTOOTH
 LOADED
 (+1.7V -1.7V)