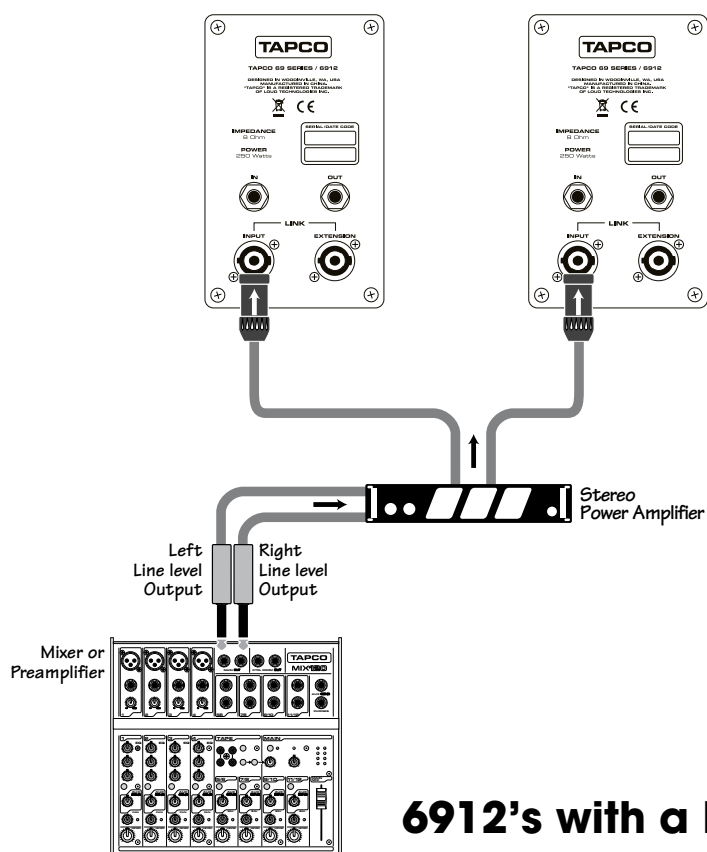
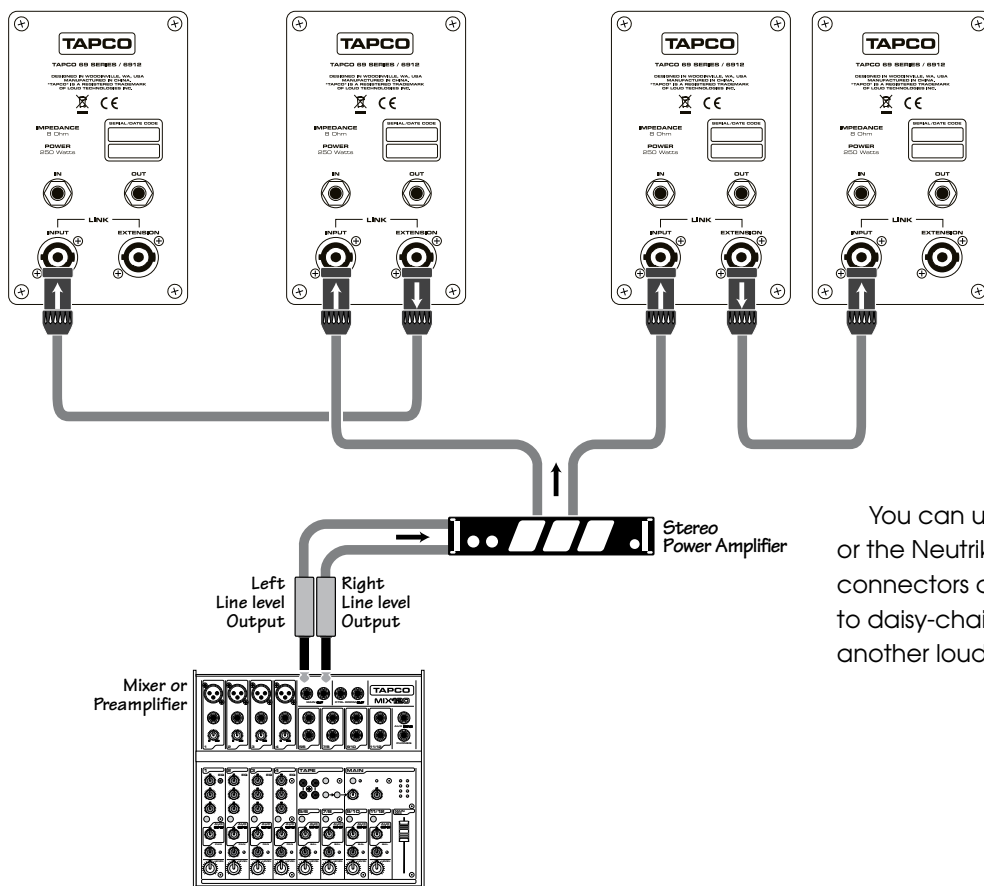


Hookup Diagrams

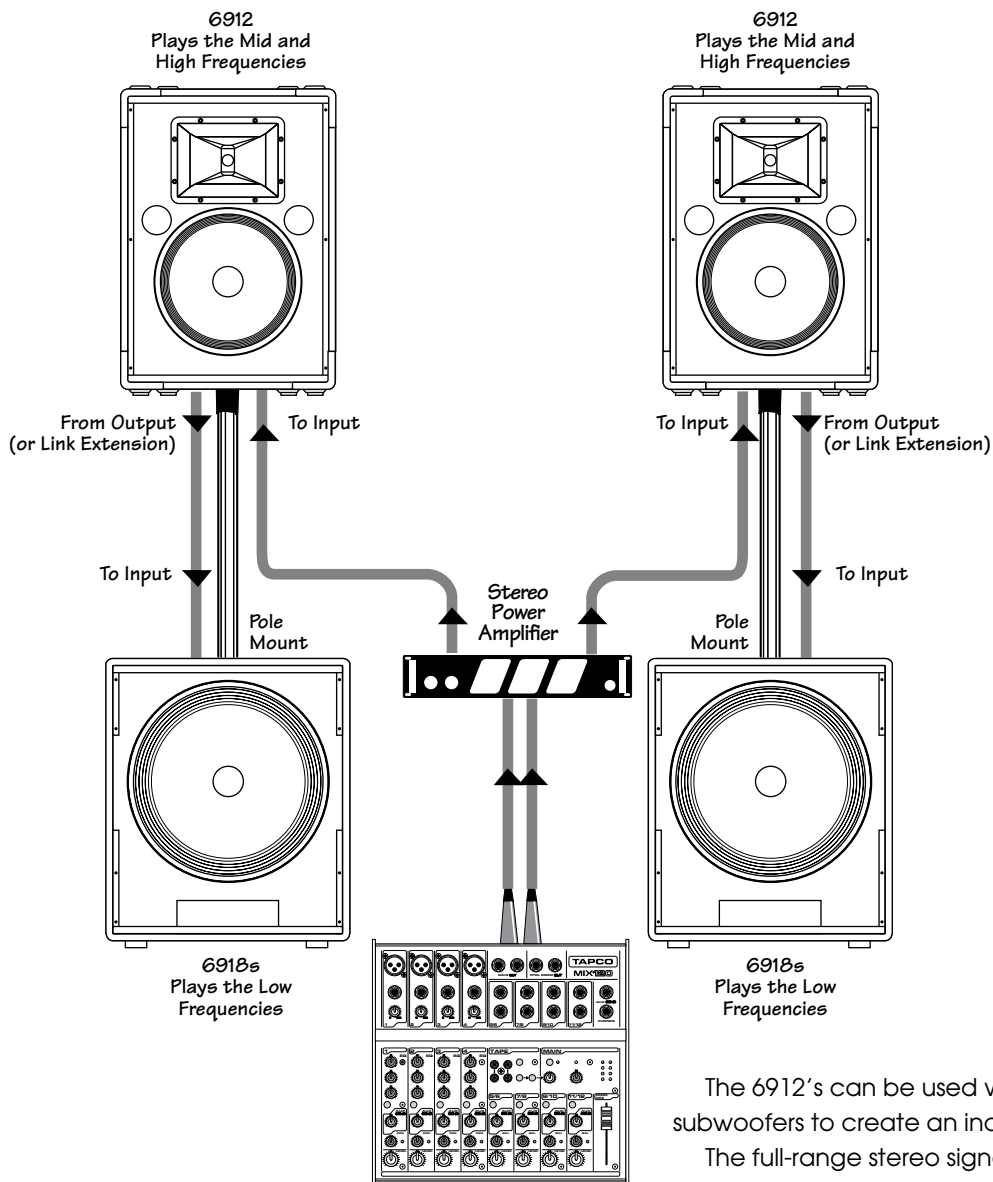


6912's with a Mixer and Power Amplifier



You can use the 1/4" outputs or the Neutrik "Link Extension" connectors as "Thru" connections to daisy-chain the signal to another loudspeaker.

6912's with a Mixer and Power Amplifier, Daisy-Chaining



The 6912's can be used with the 6918s subwoofers to create an incredibly powerful system.

The full-range stereo signal from the mixer and power amplifier go to the inputs of the left and right 6912's.

The outputs from the 6912's are connected to the inputs of the 6918s subwoofers, whose internal low-pass filter allows the subwoofers to reproduce only the lowest frequencies.

The 6912's can be pole mounted on top of the 6918s subwoofers as shown.

6912's Daisy-Chained with two 6918s Subwoofers