

DLM12S

Packing huge power and deep low end into the highest-output compact subwoofer on the market, the Mackie DLM12S 12" Powered Subwoofer delivers 2000 watts of chest-pounding power into any system.

The DLM12S features an integrated Mackie DLP digital processor, offering intuitive one-touch control over all of the tools you demand for your professional sound system. A precision digital crossover optimizes any loudspeaker, including perfect presets for your Mackie full-range loudspeakers. There's even alignment delay for larger system deployment and Smart Protect technology that protects your investment.

The rugged 15mm poplar cabinet is unbelievably compact with a durable, powder-coated grille and integrated pole-cup. Pair it with a Mackie DLM series full-range loudspeaker for the most powerful compact sound system ever.

The new shape of sound – Mackie DLM12S.



FEATURES:

- 2000W power via ultra-efficient Class-D amplification
- High-power 12", heat-treated woofer with 3" voice coil
- Ultra-low frequency extension hits hard down to 35 Hz
- DLP Digital Processor
 - Powerful, one-touch digital processor with bright OLED screen
 - Precision digital crossover
 - Presets for use with DLM and SRM Series full-range loudspeakers
 - Variable crossover control for optimization with any loudspeaker
 - Six total XLR connectors for flexible I/O control
 - Two line level inputs
 - Two full-range outputs for side fills, additional subwoofers, etc.
 - Two high-pass outputs for direct connection to DLM or other full-range loudspeakers
- Unmatched system control for professional applications
 - Alignment delay up to 300ms for delay stack, balcony, etc.
 - Three memory locations for instant venue setting recall
 - Smart Protect DSP dynamically protects amp/driver
- Innovative ultra-compact design
 - Highest-output compact subwoofer on the market
 - Fit an entire DLM system in nearly any car
 - Stack them up for storage
 - Pole-mount a DLM8 or DLM12
 - Extremely durable 15mm poplar cabinet
 - Rugged, powder-coated 20 gauge steel grille
 - Ridiculously lightweight [48 lb / 21.7 kg]

DLM12S SUBWOOFER SPECIFICATIONS

Acoustic Performance

| | |
|---|--|
| Frequency Response (-10 dB) | 35 Hz, User-selectable 90 Hz – 135 Hz |
| Max peak SPL (@ 1m calculated) ¹ | 128 dB |
| Crossover Point | User-selectable 60 Hz – 120 Hz |
| Horizontal Coverage | N/A |
| Vertical Coverage | N/A |

Transducer

| | |
|---------------------|------------------|
| Woofer Diameter | 12.0 in / 305 mm |
| Voice Coil Diameter | 3.0 in / 76 mm |
| Diaphragm Material | Paper |
| Magnet Material | Ferrite |

Power Amplifier

| | |
|-------------|-----------------------------------|
| Rated Power | 1000 watts rms 2000 watts peak |
| Rated THD | < 1% |
| Cooling | Multi-speed fan |
| Design | Class D |

DLP Digital System Processing

| | |
|-----------------|--|
| Volume [VOL] | Off (-∞ dB) to +10 dB |
| Crossover [XVR] | Four preset xvr modes, one variable xvr mode |
| Delay [DLY] | 0-300 ms |
| Memory [MEM] | Three locations for instant venue setting recall and factory reset |

Input / Output

| | |
|--------------------|---|
| Input Type | Female XLR balanced differential (stereo left / right) |
| Input Impedance | 20 kΩ balanced, 10 kΩ unbalanced |
| Full Range Outputs | Male XLR balanced (parallel with input) |
| High Pass Outputs | Male XLR balanced |

Line Input Power

| | |
|---|---------------------------------|
| US detachable line cord | 100 – 120 VAC, 50 – 60 Hz, 250W |
| EU detachable line cord | 220 – 240 VAC, 50 – 60 Hz, 250W |
| AC Connector | 3-pin IEC 250 VAC |
| Operating Temperature [extended ambient temperature] | 0 - 40 °C 32 - 104 °F |

Safety Features

| | |
|------------------|---|
| Input Protection | Peak and RMS limiting, power supply and amplifier thermal protection |
| Display LEDs | Defeatable front power ON, Front load power limiter |
| Status Info | Power supply voltage, Core temperature |

Construction Features

| | |
|---------|--------------------------------|
| Cabinet | Extremely durable 15 mm poplar |
| Finish | High durability black paint |
| Handles | One on each side |
| Grille | Powder-coated 20 gauge steel |

¹ Calculated from driver sensitivity and amplifier power.



DLM12S SUBWOOFER SPECIFICATIONS CONT...

Mounting Method

The DLM12S subwoofer is designed to sit on the floor or stage. It is NOT designed to be pole-mounted or suspended. The cabinet has no rigging points and is not suitable for rigging. Never attempt to suspend the DLM12S by its handles.

Physical Properties (packaged product)

| | |
|--------|------------------|
| Height | 23.5 in / 597 mm |
| Depth | 23.8 in / 605 mm |
| Width | 28.3 in / 719 mm |
| Weight | 61 lb / 27.7 kg |

Physical Properties (product)

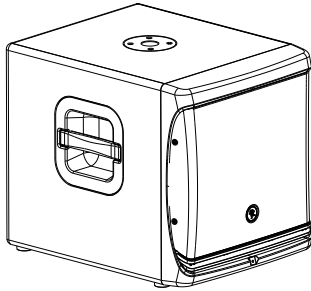
| | |
|--------|------------------|
| Height | 17.9 in / 455 mm |
| Depth | 20.8 in / 529 mm |
| Width | 16.4 in / 417 mm |
| Weight | 48 lb / 21.7 kg |


Options

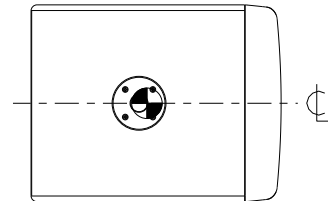
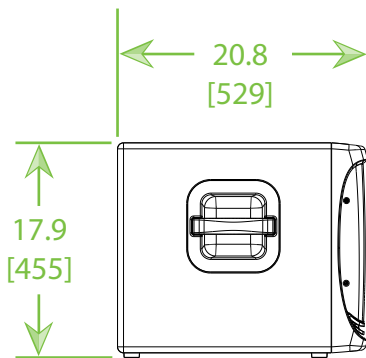
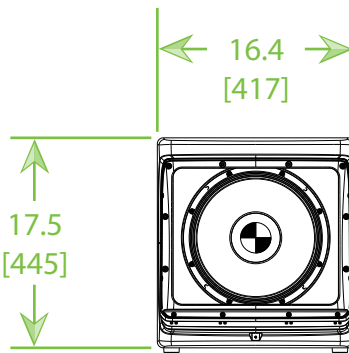
| | |
|------------------------|----------------|
| DLM12S Subwoofer Cover | P/N 2036809-21 |
|------------------------|----------------|

Ordering Information

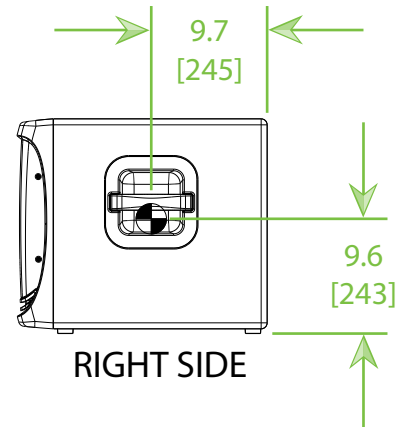
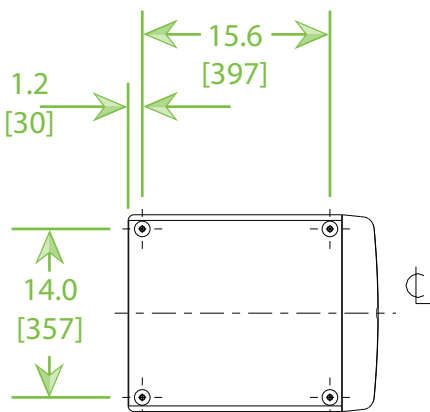
| | |
|--|----------------|
| DLM12S 2000W 12" Powered Subwoofer, US | P/N 2037880-00 |
| DLM12S 2000W 12" Powered Subwoofer, EU | P/N 2037880-01 |

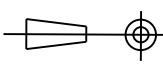
DLM12S SUBWOOFER DIMENSIONS


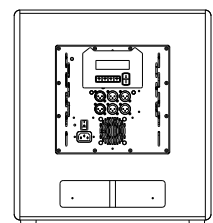
- NOTES:
1. SYMBOL  INDICATES CENTER OF BALANCE.
 2. WEIGHT APPROX. 48 lb [21.7 kg].
 3. SHIPPING WEIGHT APPROX. 61 lb [27.7 kg].


TOP

LEFT SIDE

FRONT

GRILLE NOT SHOWN FOR CLARITY


RIGHT SIDE

BOTTOM

| | |
|---|--|
| <p>THIRD ANGLE PROJECTION</p>  | <p>UNLESS OTHERWISE SPECIFIED: ALL DIMENSIONS ARE IN INCHES DUAL [MM] DIMENSIONS FOR REF ONLY</p> <p>TOLERANCE IN INCHES LINEAR ± 0.13 in / ± 3.3 mm ANGLES $\pm 1^\circ$</p> <p>(X.XX) = REF DIMS NO TOLERANCE IMPLIED</p> <p>TSC = THEORETICAL SHARP CORNER</p> <p>DIMENSIONS ACROSS CENTERLINES TO BE SYMMETRICAL</p> |
| <p>THE INFORMATION CONTAINED HEREIN IS PROPRIETARY AND CONFIDENTIAL PROPERTY OF LOUD TECHNOLOGIES, INC. ALL RIGHTS RESERVED</p> | |


BACK

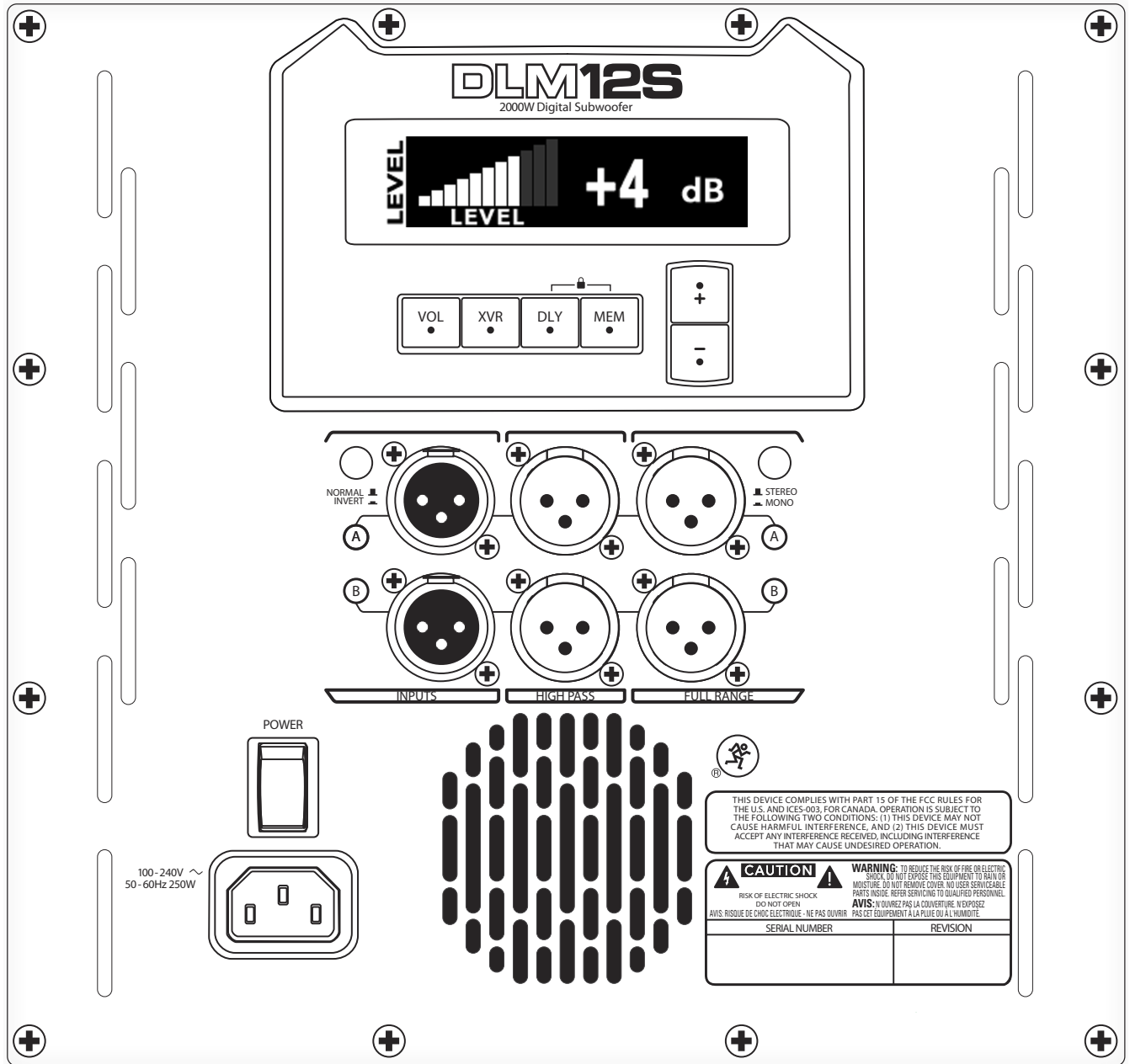


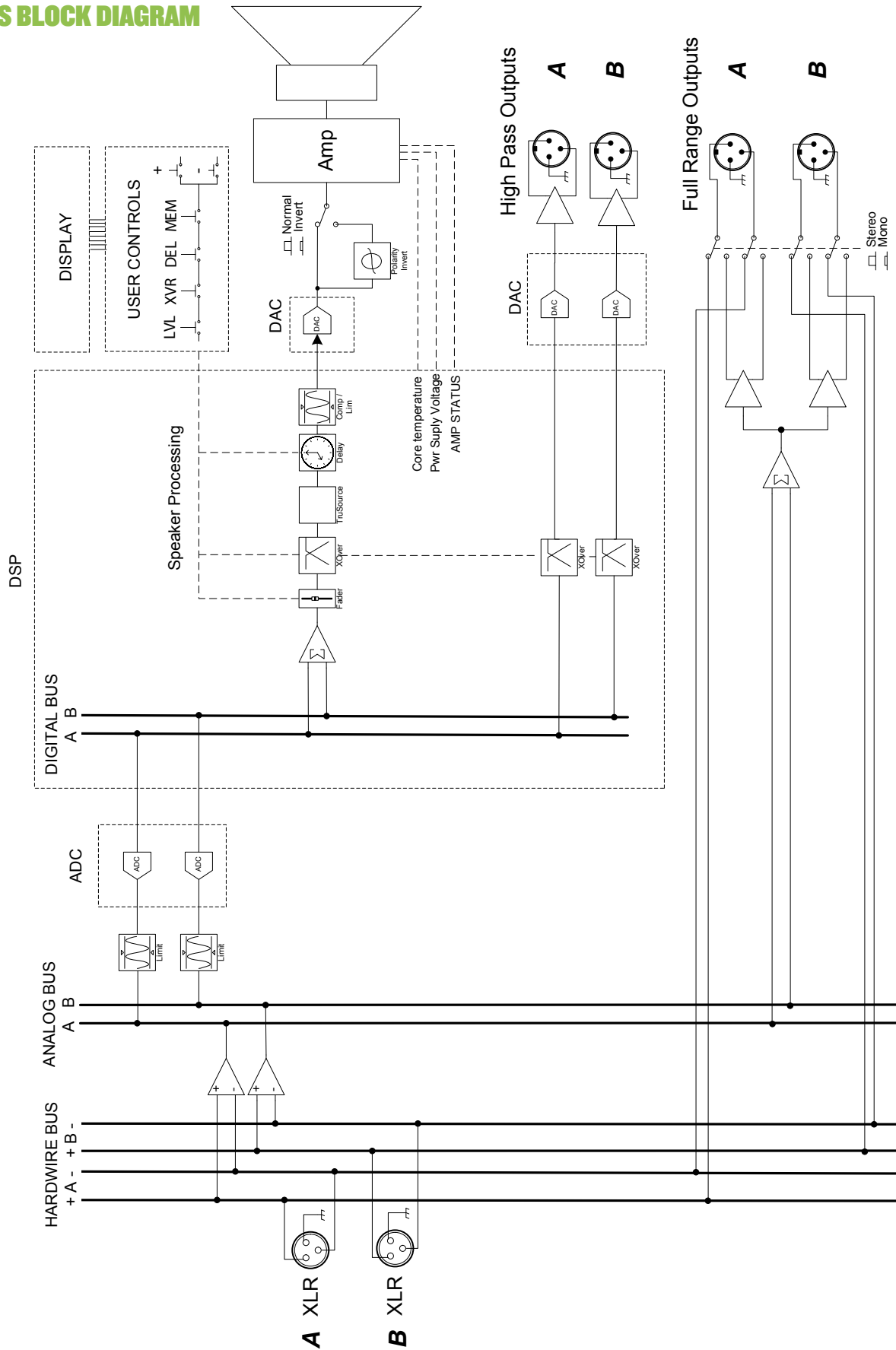
MACKIE

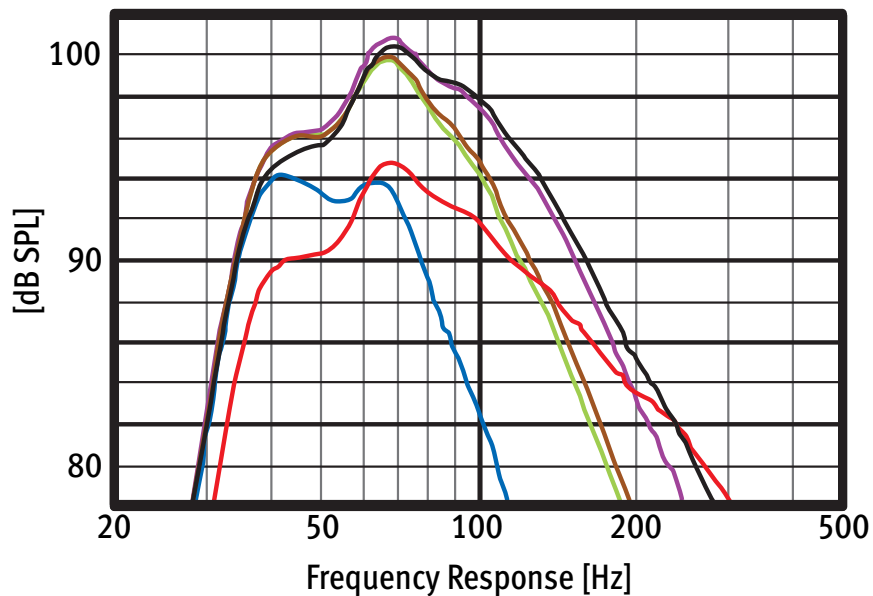
DLM12S

**2000W
Powered Subwoofer**

DLM12S SUBWOOFER REAR PANEL



DLM12S BLOCK DIAGRAM


DLM12S SUBWOOFER FREQUENCY RESPONSE

LEGEND

- DLM8
- DLM12
- SRM350
- SRM450
- VARIABLE : 60 Hz
- VARIABLE : 120 Hz

LOUD Technologies Inc. is always striving to improve our products by incorporating new and improved materials, components, and manufacturing methods. Therefore, we reserve the right to change these specifications at any time without notice.

“Mackie” and the “Running Man” figure are registered trademarks of LOUD Technologies Inc. All other brands mentioned are trademarks or registered trademarks of their respective holders, and are hereby acknowledged.

©2012 LOUD Technologies Inc. All rights reserved.

Electronic files for this product are available at:

www.mackie.com

| | |
|---------------------|-------------------------|
| Specification Sheet | DLM12S Subwoofer_SS.PDF |
| Owner's Manual | DLM12S Subwoofer_OM.PDF |



www.mackie.com
 16220 Wood-Red Road NE
 Woodinville, WA 98072 USA
 800-898-3211, Fax 425-487-4337, sales@mackie.com

Part No. SW0959 Rev. A 12/12