



***Stomp Box Modelers Pilot's Handbook***

Also Available in Hi-Tech Electroponic Format at [www.line6.com](http://www.line6.com)  
Rev D

**You should read these Important Safety Instructions. Keep them in a safe place.**



**WARNING:**

To reduce the risk of fire or electric shock, do not expose this appliance to rain or moisture.



**CAUTION:**

To reduce the risk of fire or electric shock, do not remove screws. No user-serviceable parts inside. Refer servicing to qualified service personnel.

**Before using your Stomp Box Modeler, carefully read applicable items of operating instructions and safety suggestions.**

1. Obey all warnings on the Stomp Box Modeler and in the Pilot's Handbook.
2. Do not perform service operations beyond those described in the Stomp Box Modeler and in the Pilot's Handbook. In the following circumstances, repairs should be performed only by qualified service personnel:
  - liquid is spilled into the unit
  - an object falls into the unit
  - the unit does not operate normally or changes in performance in a significant way
  - the unit is dropped or the enclosure is damaged
3. Prolonged listening at high volume levels may cause irreparable hearing loss and/or damage. Be sure to practice "safe listening."

CAUTION: This equipment has been tested and found to comply with the limits for a Class B digital device pursuant to Part 15 of FCC Rules. Operation is subject to the following two conditions: (1) This device may not cause harmful interference, and (2) this device must accept any interference received, including interference that may cause undesired operation.

Stomp Box Modelers Pilot's Handbook ©2000, Line 6, Inc.

**Please Note:**

**The Stomp Box Modelers, Modulation Modeler, Delay Modeler, Distortion Modeler, Line 6, and Line 6 logo are trademarks of Line 6, Inc. All other products, images, trademarks, and artists' names are the property of their respective owners, and are used solely for the purpose of describing certain types of tones produced with Line 6's digital modeling technology, which were developed independently by Line 6, without the participation of these respective owners. Use of these products, images, trademarks, and artist's names does not imply any cooperation or endorsement.**

## Table of Contents

### General Info For All Stomp Box Modelers

Introduction .....	1-3
Key Features.....	4
Programmable Memories	
True Bypass & Delay Remain Bypass	
Battery or AC Operation	
Expression Pedal .....	5
Rear Panel.....	6
Distortion Modeler Front Panel .....	7
Modulation Modeler Front Panel.....	8
Delay Modeler Front Panel.....	9
Special Hidden Features .....	10
Delay Remain Bypass (DL4)	
Restoring Factory Presets	
Noise Gate (DM4)	
Customer Service.....	11

### Delay Modeler Details

Tweak & Tweez List .....	12
Loop Sampler.....	14-19
Programmable Memories	
True Bypass & Delay Remain Bypass	
Battery or AC Operation	
Delay Modeler Models.....	20-33
The 15 Models of the Delay Modeler	

### Modulation Modeler Details

Tweak & Tweez List .....	34
Modulation Modeler Models.....	36-51
The 16 Models of the Modulation Modeler	

### Distortion Modeler Details

Distortion Modeler Models .....	52-69
The 16 Models of the Distortion Modeler	

### Line 6 Info

Warranty Information.....	71
---------------------------	----

### Mail-In Registration Card on Back Cover

## Introduction

### Welcome

Thank you for inviting a Stomp Box Modeler home with you. (By the way, you filled out the registration card at the back of this handbook, or did it on our web site – [www.line6.com](http://www.line6.com) – right? Great. Back to our regular program....) These pedals mine the tonal heritage of the past thirty years of stomp box and effects design and match it up with the kind of digital signal processing magic that will still be ahead of its time ten years from now.

How did the Stomp Box Modelers get the super processing power to let you create tones that are out of this world? It all started like this...

### The Birth of Line 6 Modeling

Well, as you may know, Line 6 first came on to the scene with a new kind of guitar amplifier – the first to put digital software modeling technology to work in a combo amp for guitarists. In order to pioneer this technology, we had focused our efforts on the vacuum tube, the little glass wonder that had sat at the heart of most every great guitar amp in history – plus quite a few stomp boxes, effect processors,

and other pieces of great audio gear. The Line 6 crew assembled a dream collection of amplifiers recognized by guitarists the world over as true “tone classics,” and, with a guitar in one hand and modern computer measuring gear in the other, put these amps through their paces and got them to give up their secrets – a guitar pickup output, after all, is an electronic signal, and tubes and the rest of the guitar amplifier electronics are really just a complex form of signal processing. These electronic explorers thus distilled the noble history of guitar tone heritage into a revolutionary, patented DSP (digital signal processing) software-based modeling technology, which gave Line 6 the power to create super silicon-based life forms like our history-making amplifiers and POD.

Well, it’s been some years since the first Line 6 amp brought modeling to the combo amp world, followed by the Line 6 POD that revolutionized the world of guitar recording. During that time, our thoughts have often turned from our amps to our feet. We started thinking about all those great stomp boxes that have been as much a part of the electric guitar experience as the amplifier. And thus began the Stomp Box Modelers, with their lovingly crafted digital software models of a whole carpet-full of the great effects of guitar history.

## LINE 6'S COMFY COUCH PLAYING HOST TO SOME OF OUR VINTAGE TREASURES



2

This image is provided for the sole purpose of identifying the specific products that were studied during Line 6's sound model development, and does not imply any cooperation or endorsement.

As you get familiar with your new friend on the floor, we'd like you to join us in thanking the following people for generously lending their treasured artifacts and antiques for our modeling analysis. We've done our best to capture the special character of each of these units in the models that power your Stomp Box Modeler.

In alphabetical order, the contributors to the cause are: Tom Ayres, Tony Berg, Joey Brasler, Bill DeLap, Eric Dover, Mike Drake, Dave Friedman, Tim Godwin, Bob Hartry, His Intolerably Massive Omnipotence (a.k.a.

Mr. Huge), Jamie Kime, Albert Molinaro, Tim Pierce, Nigel Redmon, Mike Reiter, Walter G. Rice III, Marcus Ryle, James Santiago, Jeff Slingluff, Jack Sonni, Art Thompson, George Van Wagner, Dave Whiston, Lyle Workman, Zeke Zirngiebel, John Ziegler – and, of course, the noise-tolerant upstairs neighbors.

### And Away We Go

So, now that you've seen and heard about the tonal wonders that lurk within your Stomp Box Modeler, it's time to grab your favorite axe, plug in, and flip to the next page....



This image is provided for the sole purpose of identifying the specific products that were studied during Line 6's sound model development, and does not imply any cooperation or endorsement.

3

## Key Features

### Programmable Memories

The Line 6 Stomp Box Modelers let you store your favorite tones for easy recall at any time. No more making marks for your favorite settings with your grease pencil, or getting down on your hands and knees in between songs to set up your next sound. With a Stomp Box Modeler, all you have to do when you find a sound you want to keep is press and hold one of the memory location stomp switches for 3 seconds, and the setting of all your knobs is committed to the stomp box's memory.

Now you can step on that switch anytime and bring back that great sound. We've already stored a couple of our favorite tones into the memories to get you started. The hidden functions section of this handbook tells you how to restore them if you decide you want 'em back.

### True Bypass & Alternate Bypass

The Stomp Box Modelers include mechanically switching relays that switch in when you bypass the

pedal (by kicking the stomp switch to turn off the memory you are using). These relays route your signal directly from input jack to output jack, around all the circuitry, for absolutely no processing or analog-to-digital conversion while in bypass. The hidden functions section of this handbook tells you how to choose an alternate bypass mode that keeps the DSP engaged while bypassed; this can be handy for delays, for instance, if you want your delays to trail away when you kick the pedal off.

### Battery or AC Power Operation

You can choose to power your Stomp Box Modeler with 4 C size batteries or via the optional Line 6 AC power supply. We recommend alkaline batteries for long life; you should get twenty to thirty hours of use out of a high quality set. Unplugging the left/mono input turns the pedal off, so be sure to unplug it when you're not using the pedal to conserve battery power. **All four lights on your pedal will flash when your batteries have nearly run out.**

4

## EXPRESSION PEDAL

### Conceptualizing It

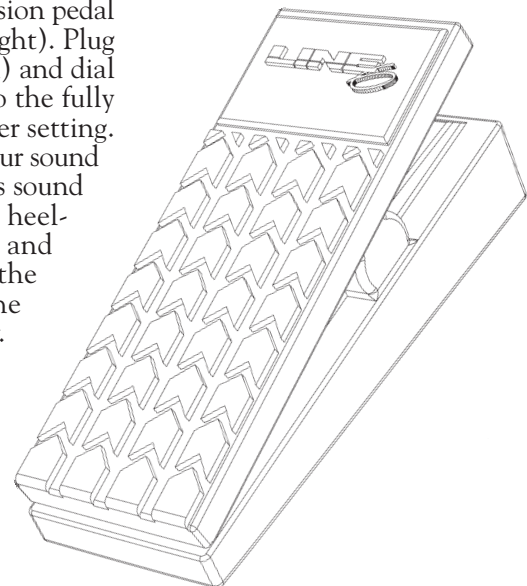
The optional Line 6 expression pedal lets your foot control one or more of the parameters of your effect while your hands are busy making music. Operation is designed to be simple:

### Doing It

Power off your Stomp Box Modeler by unplugging the LEFT/MONO INPUT. Next, plug in your Expression Pedal, and set the expression pedal to the full heel-down position (as shown in the illustration at right). Plug the left/mono input back in (this turns the Stomp Box back on) and dial up a sound you like. Now press the expression pedal forward to the fully toe-down position, and set one or more of your knobs to another setting. Rock back and forth on your expression pedal, and you'll hear your sound blend between the two sound settings you just made. Store this sound into one of your pedal's memories, and both the toe-down and heel-down "snapshots" of the sound will be saved. Use as many and whichever knobs you like with the expression pedal, except the model selector. Recalling a stored memory later without the expression pedal connected gives you the heel-down setting only.

### Getting It

Customers in the USA and Canada can order the expression pedal (or an AC power supply) from their Line 6 dealer, directly from [www.line6.com](http://www.line6.com), or by calling Line 6 Sales at (805) 379-8900. Outside the USA and Canada, please contact your Line 6 dealer or distributor.



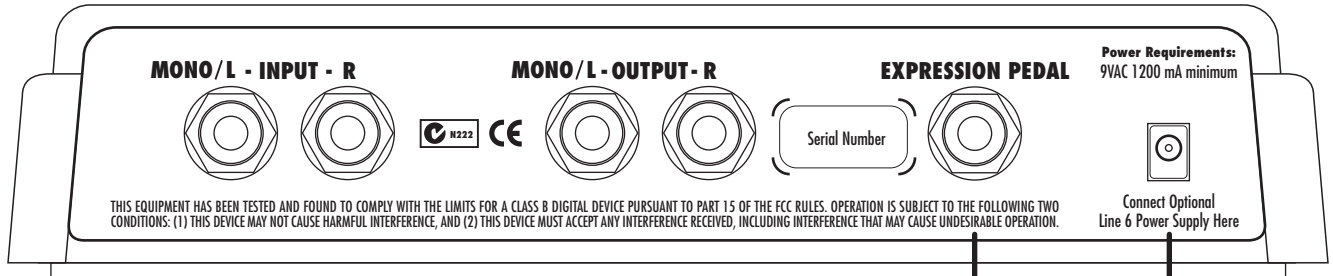
5



## REAR PANEL – HOOKUP INSTRUCTIONS

### In/Out

Just follow the labels and plug in the inputs and outputs. If you're running with batteries, you can unplug the left input to conserve power when you're not using the pedal. (Please note: the DM4 Distortion Modeler is Mono In and Mono Out.)



### Expression Pedal

See the following section for complete details on the use of the optional Line 6 expression pedal, which gives you the ability to smoothly blend between effect settings.

### Power Supply

Your Stomp Box Modeler comes with a set of four C size batteries. You can also purchase an optional Line 6 AC power supply to run your pedal.

### Getting an Expression Pedal or Power Supply

Customers in the USA and Canada can order the expression pedal and power supply from their Line 6 dealer, directly from [www.line6.com](http://www.line6.com), or by calling Line 6 Sales at (805) 379-8900. Outside the USA and Canada, please contact your Line 6 dealer or distributor (see list on the Line 6 web site and at the back of this handbook).

6

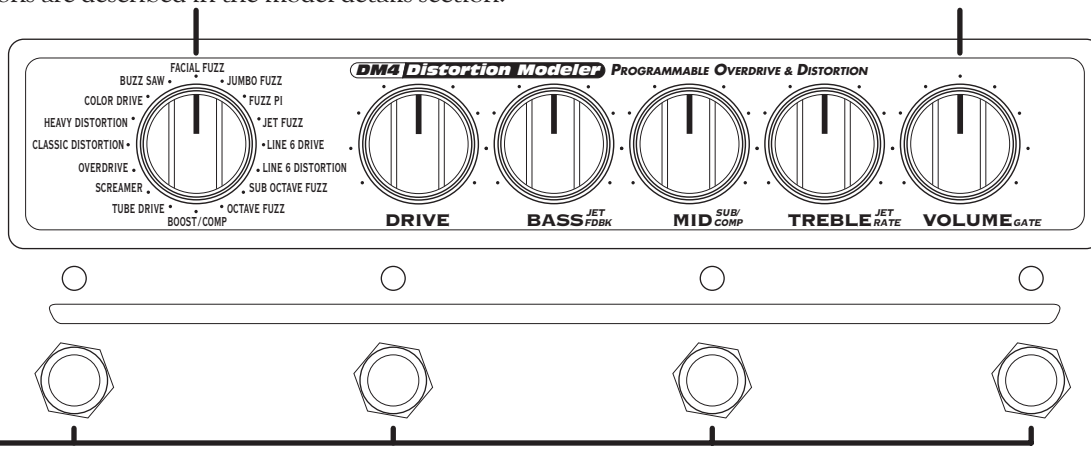
## DISTORTION MODELER – FRONT PANEL

### Model Selector

This is where you pick the model you want to use; it comes up preset to a great sound, ready to use. Turn the other knobs to adjust the sound; their functions are described in the model details section.

### Volume

This knob is always used to set the output volume of the effect. Turn counterclockwise for less output. Turn clockwise for more processed signal.



### Stomp Switches

Step on one of these switches to choose one of the four programmable memories (Delay Modeler has 3 memories plus Tap Tempo). The chosen memory's light is lit, and you hear the effect processing. Step on the switch again to turn the memory off and bypass the effect. To store a sound in memory, step on one of the switches to turn its light on, turn the knobs to the sound you like, and then press and hold any foot switch for 3 seconds to store the knob settings into that memory location.

7

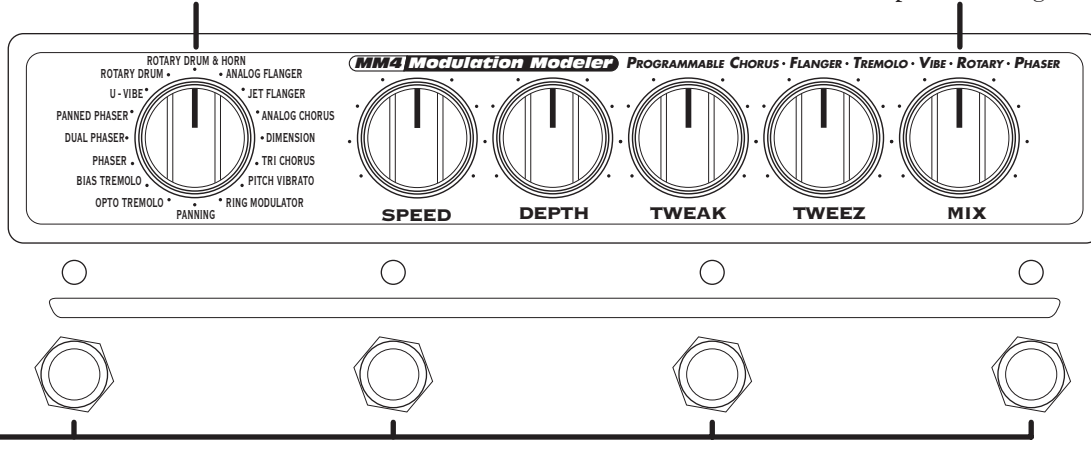
## MODULATION MODELER – FRONT PANEL

### Model Selector

This is where you pick the model you want to use; it comes up preset to a great sound, ready to use. Turn the other knobs to adjust the sound; their functions are described in the model details section.

### Mix

This knob is always used to set the mix between the dry/direct/unprocessed signal and the processed signal. Turn counterclockwise for more dry signal. Turn clockwise for more processed signal.



### Stomp Switches

Step on one of these switches to choose one of the four programmable memories (Delay Modeler has 3 memories plus Tap Tempo). The chosen memory's light is lit, and you hear the effect processing. Step on the switch again to turn the memory off and bypass the effect. To store a sound in memory, step on one of the switches to turn its light on, turn the knobs to the sound you like, and then press and hold any foot switch for 3 seconds to store the knob settings into that memory location.

8

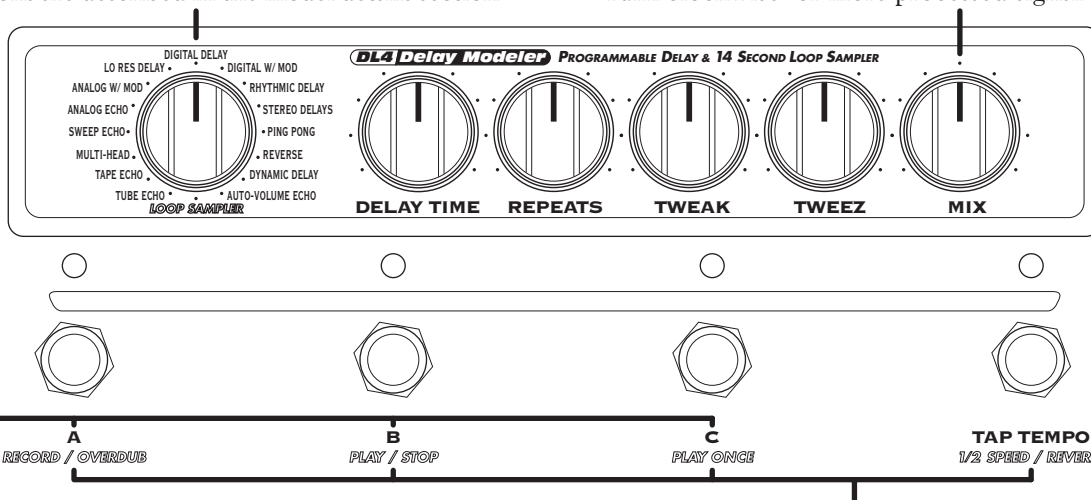
## DELAY MODELER – FRONT PANEL

### Model Selector

This is where you pick the model you want to use; it comes up preset to a great sound, ready to use. Turn the other knobs to adjust the sound; their functions are described in the model details section.

### Mix

This knob is always used to set the mix between the dry/direct/unprocessed signal and the processed signal. Turn counterclockwise for more dry signal. Turn clockwise for more processed signal.



### Stomp Switches

For all models except LOOP SAMPLER, these switches choose one of the 3 memories. To set what's stored in the memory, step on one of the switches to turn its light on, turn the knobs to the sound you like, and then press and hold a switch for 3 seconds to store the knob settings into a memory.

**Tap Tempo**  
Tap to set delay time.

**Loop Sampler**  
See Loop Sampler details.

9

## Special Hidden Functions

### Alternate Bypass

The Stomp Box Modelers include mechanically switching relays that route your signal directly from input jack to output jack and around all circuitry while in bypass.

There's also an alternate bypass mode available that keeps the DSP engaged while bypassed, so with the Delay modeler, for instance, your delays can trail away when you kick the pedal off. If you want this Alternate Bypass mode, hold the first and third (from the left) stomp switches while plugging in the left/mono guitar input. (When the left/mono input is unplugged, your pedal is powered off.) Your pedal will remember to stay in this Alternate Bypass mode until you re-enable True Bypass.

### Restoring Factory Presets

The Stomp Box Modelers come pre-programmed with a set of great tones in their memories. The sounds that you save replace these factory settings. If you ever want to recall the factory sounds – **and erase the sounds you might have saved** – press the far left and far right switches while plugging in the left/mono guitar input. (When the left/mono input is not plugged in, the pedal is powered off.)

10

### Using the Optional Noise Gate (DM4 only)

While developing the models for the Distortion Modeler, we thought, “wouldn't it be cool and oh-so-21st century to add a noise gate to tame any annoying single-coil hum, and/or unwanted non-fuzz noise?” So we did. (But it's only there if you really want it.) Follow these steps to enable the gate on a per preset basis:

1. Starting from bypass mode (= all LEDs OFF), choose a preset switch (A, B, C or D) and press it to turn it on and **hold the switch** to enter the noise gate select mode.
2. While still holding down the preset switch turn the **Volume** knob to set the status of the noise gate on the preset. (Above 12 o'clock, the noise gate is On; below 12 o'clock the noise gate is Off.)
3. The LED of the currently selected preset indicates the status of the noise gate:
  - LED lit = noise gate on
  - LED unlit = noise gate off

## Customer Service

If you have a question about your Stomp Box Modeler and you are in the USA or Canada, you can contact Line 6 at (805) 379-8900, 8AM to 5:30 PM Monday through Friday (Pacific Time) and request the Product Support department (or email them at [support@line6.com](mailto:support@line6.com)).

You may also find helpful information on the Support page of the Line 6 web site ([www.line6.com](http://www.line6.com)). Before contacting Product Support, please take the time to read through this handbook to see if it can answer your questions. If you do need to contact Product Support, you will need to tell them your serial number (which is on a sticker on the back of the your pedal). It might also help to take some notes for yourself before you call, to insure that you remember everything you want to ask about.

Details of your Stomp Box Modeler's warranty are at the end of this handbook.

If you are outside the USA and Canada, please contact your Line 6 dealer or distributor directly to arrange for service.