

SYNTHESIZER

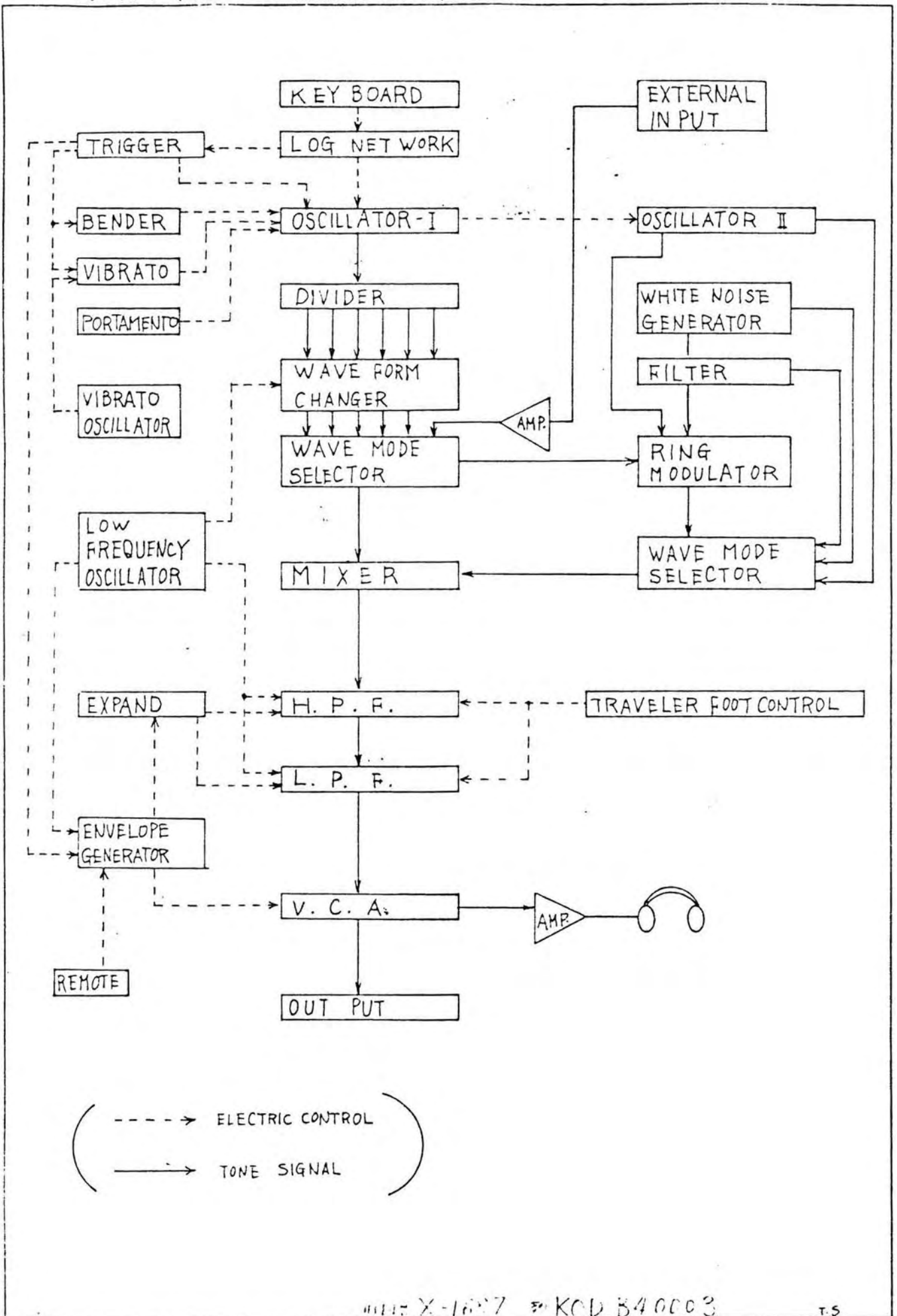
KORG 770

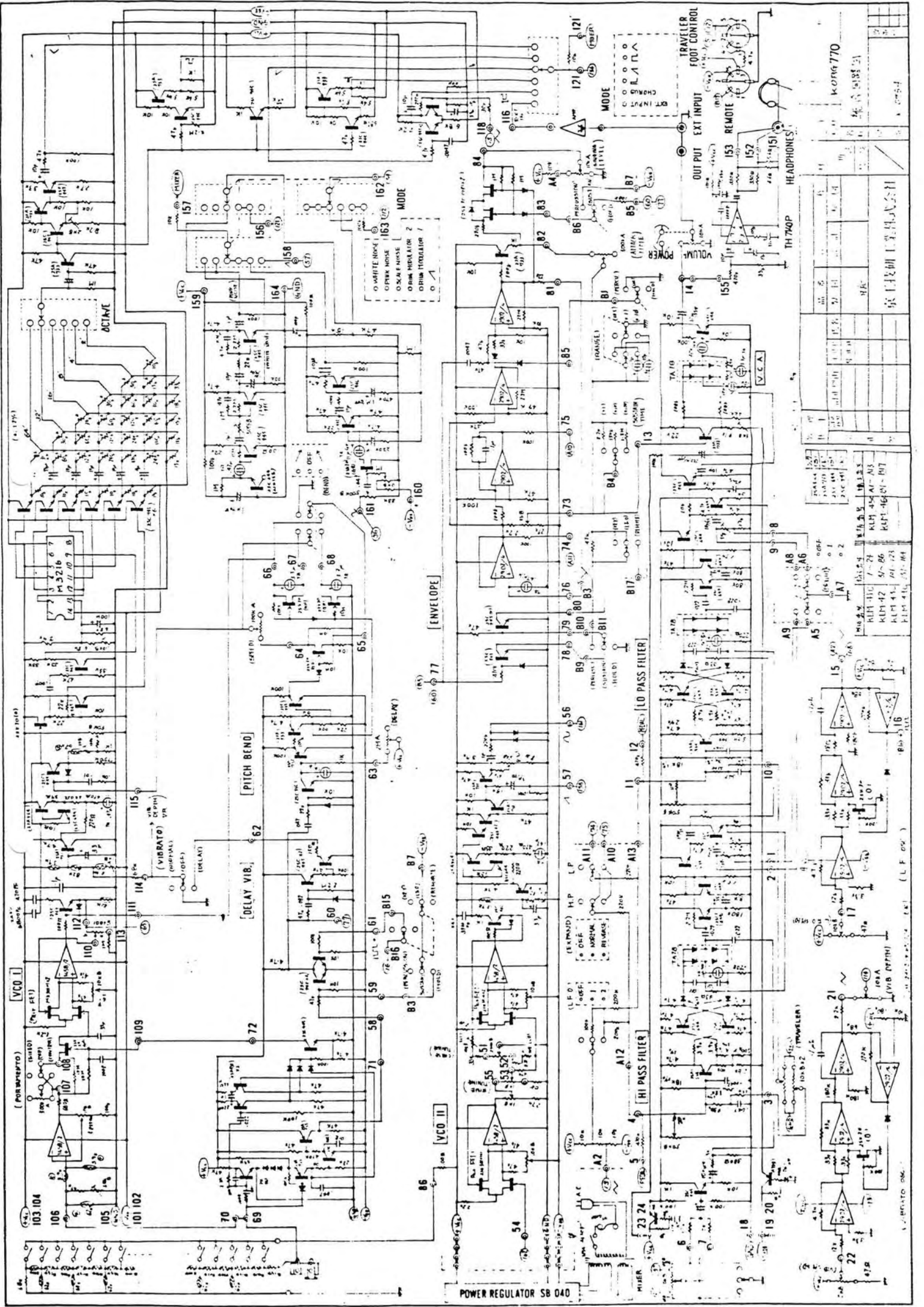
シンセサイザーコルグ770

SERVICE MANUAL

KEIO ELECTRONIC LAB., CORP.
TOKYO, JAPAN

KORG 770 BLOCK DIAGRAM

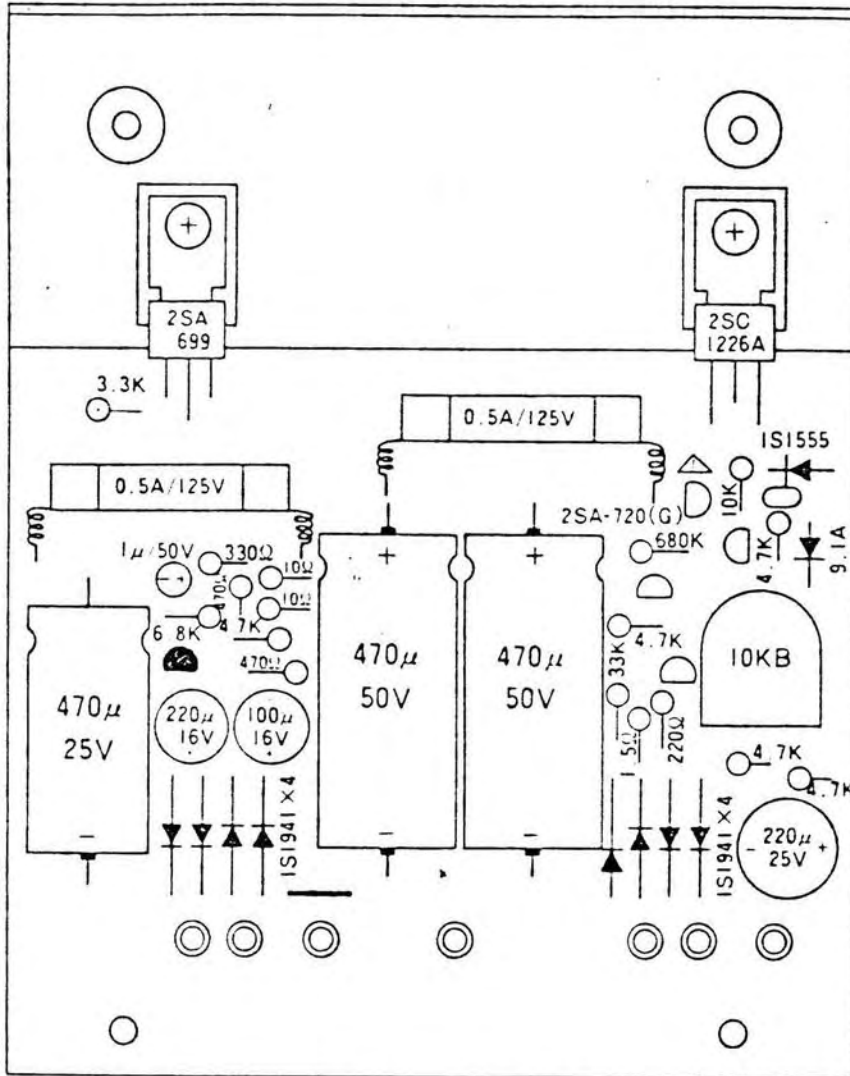




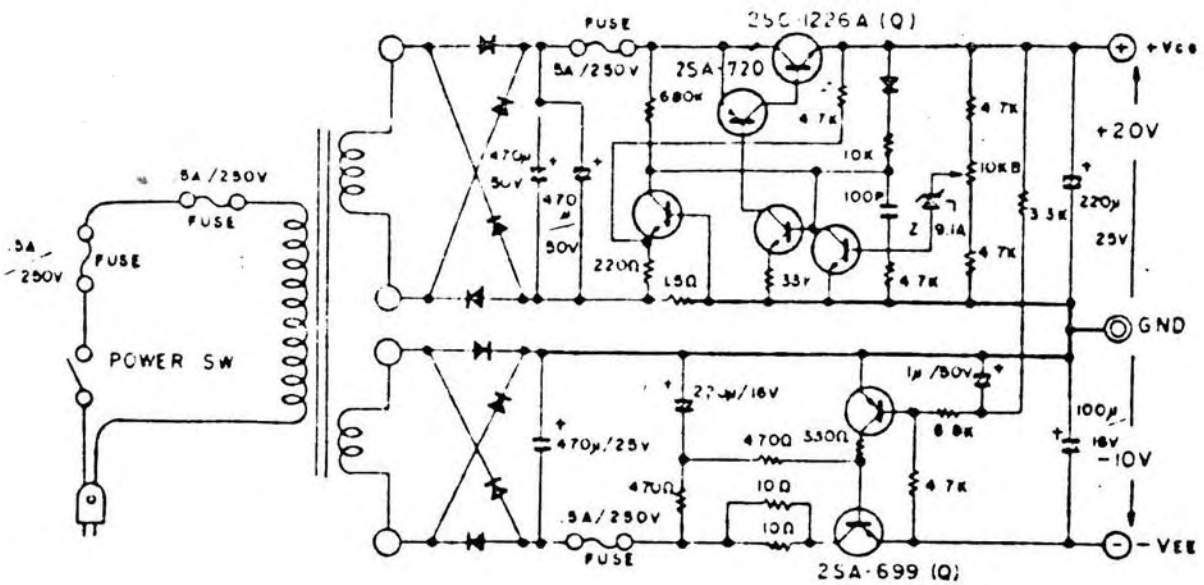
COMPONENT LIST

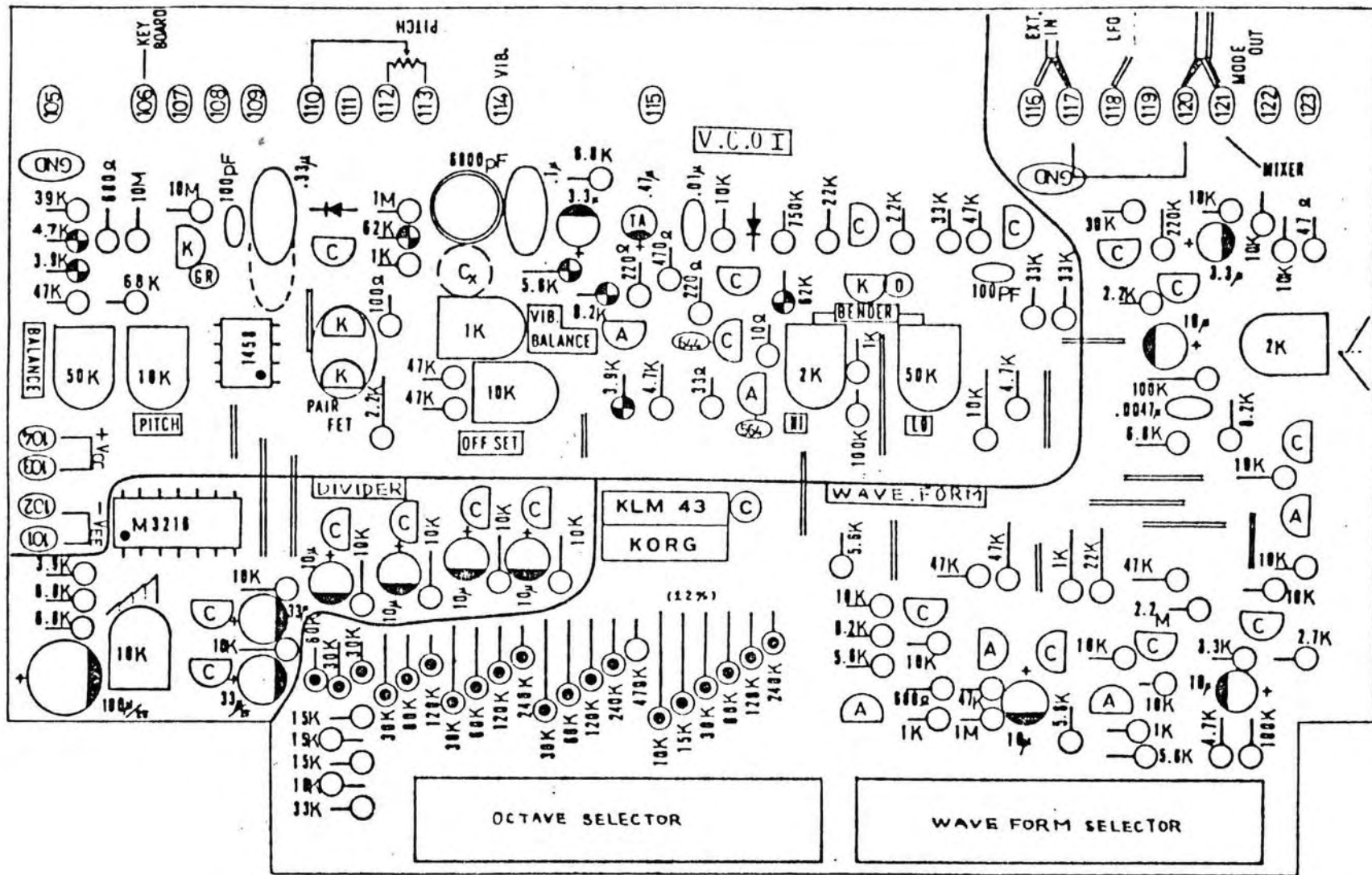
REF.	DESCRIPTION	QTY.	PART NO.
103	RESISTOR	1	10K
104	RESISTOR	1	10K
105	RESISTOR	1	10K
106	RESISTOR	1	10K
107	RESISTOR	1	10K
108	RESISTOR	1	10K
109	RESISTOR	1	10K
110	RESISTOR	1	10K
111	RESISTOR	1	10K
112	RESISTOR	1	10K
113	RESISTOR	1	10K
114	RESISTOR	1	10K
115	RESISTOR	1	10K
116	RESISTOR	1	10K
117	RESISTOR	1	10K
118	RESISTOR	1	10K
119	RESISTOR	1	10K
120	RESISTOR	1	10K
121	RESISTOR	1	10K
122	RESISTOR	1	10K
123	RESISTOR	1	10K
124	RESISTOR	1	10K
125	RESISTOR	1	10K
126	RESISTOR	1	10K
127	RESISTOR	1	10K
128	RESISTOR	1	10K
129	RESISTOR	1	10K
130	RESISTOR	1	10K
131	RESISTOR	1	10K
132	RESISTOR	1	10K
133	RESISTOR	1	10K
134	RESISTOR	1	10K
135	RESISTOR	1	10K
136	RESISTOR	1	10K
137	RESISTOR	1	10K
138	RESISTOR	1	10K
139	RESISTOR	1	10K
140	RESISTOR	1	10K
141	RESISTOR	1	10K
142	RESISTOR	1	10K
143	RESISTOR	1	10K
144	RESISTOR	1	10K
145	RESISTOR	1	10K
146	RESISTOR	1	10K
147	RESISTOR	1	10K
148	RESISTOR	1	10K
149	RESISTOR	1	10K
150	RESISTOR	1	10K
151	RESISTOR	1	10K
152	RESISTOR	1	10K
153	RESISTOR	1	10K
154	RESISTOR	1	10K
155	RESISTOR	1	10K
156	RESISTOR	1	10K
157	RESISTOR	1	10K
158	RESISTOR	1	10K
159	RESISTOR	1	10K
160	RESISTOR	1	10K
161	RESISTOR	1	10K
162	RESISTOR	1	10K
163	RESISTOR	1	10K
164	RESISTOR	1	10K
165	RESISTOR	1	10K
166	RESISTOR	1	10K
167	RESISTOR	1	10K
168	RESISTOR	1	10K
169	RESISTOR	1	10K
170	RESISTOR	1	10K
171	RESISTOR	1	10K
172	RESISTOR	1	10K
173	RESISTOR	1	10K
174	RESISTOR	1	10K
175	RESISTOR	1	10K
176	RESISTOR	1	10K
177	RESISTOR	1	10K
178	RESISTOR	1	10K
179	RESISTOR	1	10K
180	RESISTOR	1	10K
181	RESISTOR	1	10K
182	RESISTOR	1	10K
183	RESISTOR	1	10K
184	RESISTOR	1	10K
185	RESISTOR	1	10K
186	RESISTOR	1	10K
187	RESISTOR	1	10K
188	RESISTOR	1	10K
189	RESISTOR	1	10K
190	RESISTOR	1	10K
191	RESISTOR	1	10K
192	RESISTOR	1	10K
193	RESISTOR	1	10K
194	RESISTOR	1	10K
195	RESISTOR	1	10K
196	RESISTOR	1	10K
197	RESISTOR	1	10K
198	RESISTOR	1	10K
199	RESISTOR	1	10K
200	RESISTOR	1	10K
201	RESISTOR	1	10K
202	RESISTOR	1	10K
203	RESISTOR	1	10K
204	RESISTOR	1	10K
205	RESISTOR	1	10K
206	RESISTOR	1	10K
207	RESISTOR	1	10K
208	RESISTOR	1	10K
209	RESISTOR	1	10K
210	RESISTOR	1	10K
211	RESISTOR	1	10K
212	RESISTOR	1	10K
213	RESISTOR	1	10K
214	RESISTOR	1	10K
215	RESISTOR	1	10K
216	RESISTOR	1	10K
217	RESISTOR	1	10K
218	RESISTOR	1	10K
219	RESISTOR	1	10K
220	RESISTOR	1	10K
221	RESISTOR	1	10K
222	RESISTOR	1	10K
223	RESISTOR	1	10K
224	RESISTOR	1	10K
225	RESISTOR	1	10K
226	RESISTOR	1	10K
227	RESISTOR	1	10K
228	RESISTOR	1	10K
229	RESISTOR	1	10K
230	RESISTOR	1	10K
231	RESISTOR	1	10K
232	RESISTOR	1	10K
233	RESISTOR	1	10K
234	RESISTOR	1	10K
235	RESISTOR	1	10K
236	RESISTOR	1	10K
237	RESISTOR	1	10K
238	RESISTOR	1	10K
239	RESISTOR	1	10K
240	RESISTOR	1	10K
241	RESISTOR	1	10K
242	RESISTOR	1	10K
243	RESISTOR	1	10K
244	RESISTOR	1	10K
245	RESISTOR	1	10K
246	RESISTOR	1	10K
247	RESISTOR	1	10K
248	RESISTOR	1	10K
249	RESISTOR	1	10K
250	RESISTOR	1	10K
251	RESISTOR	1	10K
252	RESISTOR	1	10K
253	RESISTOR	1	10K
254	RESISTOR	1	10K
255	RESISTOR	1	10K
256	RESISTOR	1	10K
257	RESISTOR	1	10K
258	RESISTOR	1	10K
259	RESISTOR	1	10K
260	RESISTOR	1	10K
261	RESISTOR	1	10K
262	RESISTOR	1	10K
263	RESISTOR	1	10K
264	RESISTOR	1	10K
265	RESISTOR	1	10K
266	RESISTOR	1	10K
267	RESISTOR	1	10K
268	RESISTOR	1	10K
269	RESISTOR	1	10K
270	RESISTOR	1	10K
271	RESISTOR	1	10K
272	RESISTOR	1	10K
273	RESISTOR	1	10K
274	RESISTOR	1	10K
275	RESISTOR	1	10K
276	RESISTOR	1	10K
277	RESISTOR	1	10K
278	RESISTOR	1	10K
279	RESISTOR	1	10K
280	RESISTOR	1	10K
281	RESISTOR	1	10K
282	RESISTOR	1	10K
283	RESISTOR	1	10K
284	RESISTOR	1	10K
285	RESISTOR	1	10K
286	RESISTOR	1	10K
287	RESISTOR	1	10K
288	RESISTOR	1	10K
289	RESISTOR	1	10K
290	RESISTOR	1	10K
291	RESISTOR	1	10K
292	RESISTOR	1	10K
293	RESISTOR	1	10K
294	RESISTOR	1	10K
295	RESISTOR	1	10K
296	RESISTOR	1	10K
297	RESISTOR	1	10K
298	RESISTOR	1	10K
299	RESISTOR	1	10K
300	RESISTOR	1	10K
301	RESISTOR	1	10K
302	RESISTOR	1	10K
303	RESISTOR	1	10K
304	RESISTOR	1	10K
305	RESISTOR	1	10K
306	RESISTOR	1	10K
307	RESISTOR	1	10K
308	RESISTOR	1	10K
309	RESISTOR	1	10K
310	RESISTOR	1	10K
311	RESISTOR	1	10K
312	RESISTOR	1	10K
313	RESISTOR	1	10K
314	RESISTOR	1	10K
315	RESISTOR	1	10K
316	RESISTOR	1	10K
317	RESISTOR	1	10K
318	RESISTOR	1	10K
319	RESISTOR	1	10K

POWER SUPPLY CIRCUIT BOARD



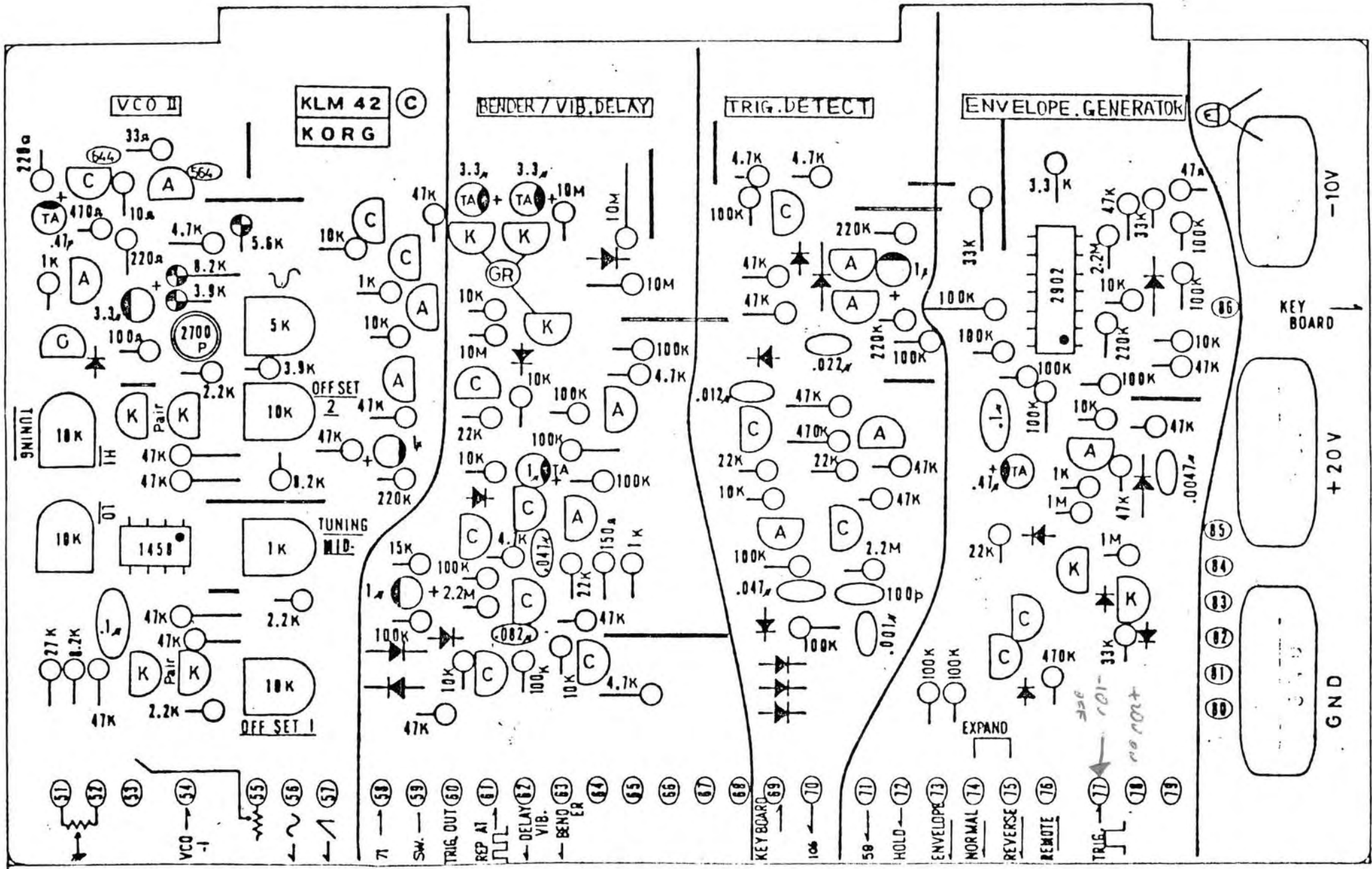
- 2SA-699
- 2SC-1226A
- 470PF
- D: 2SA 720(R)
- D: 2SC 693(G) F
- D: 2SA 608(G)

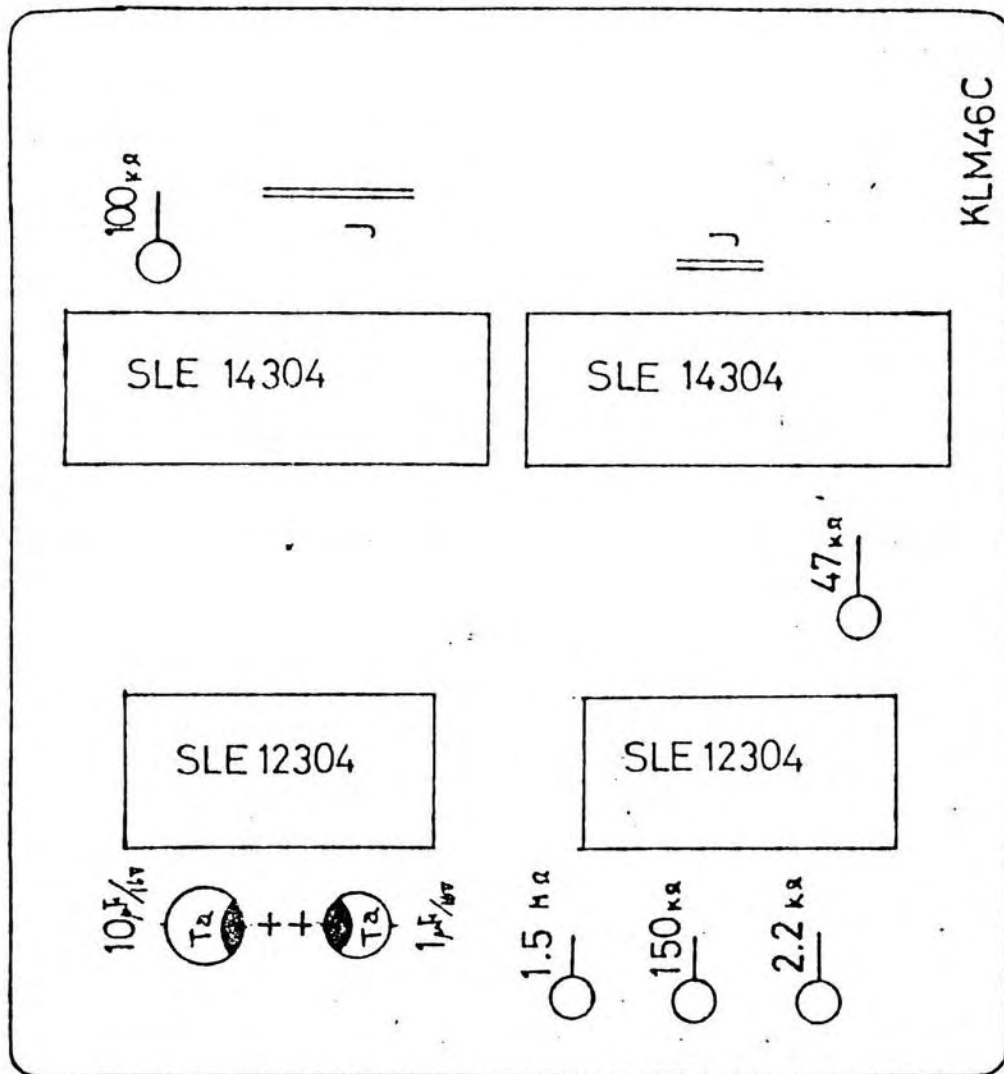




KLM 43 (C) 228.159-2
 京王技研工業 k.t. 2/ 67.4.21

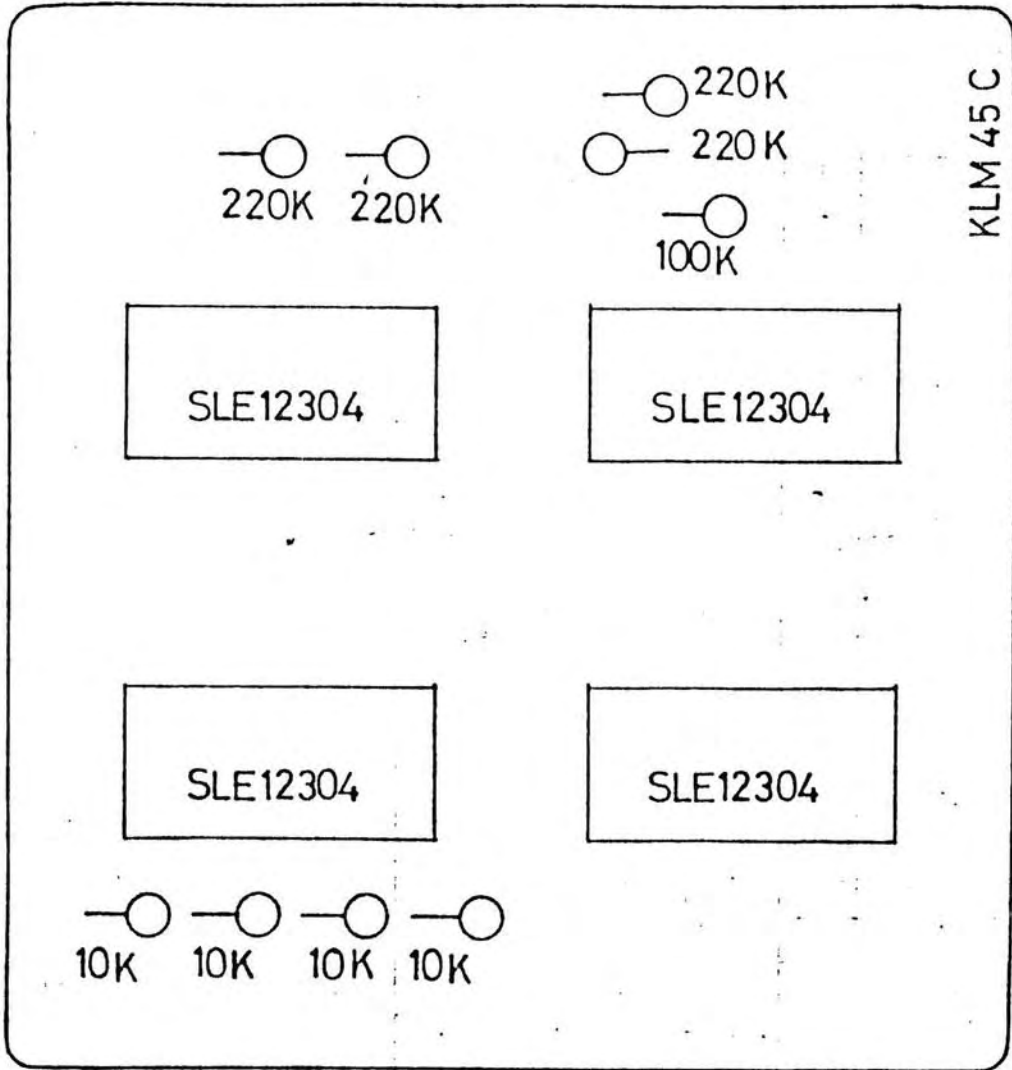
KOD.D30008





一般公差 ± 5%

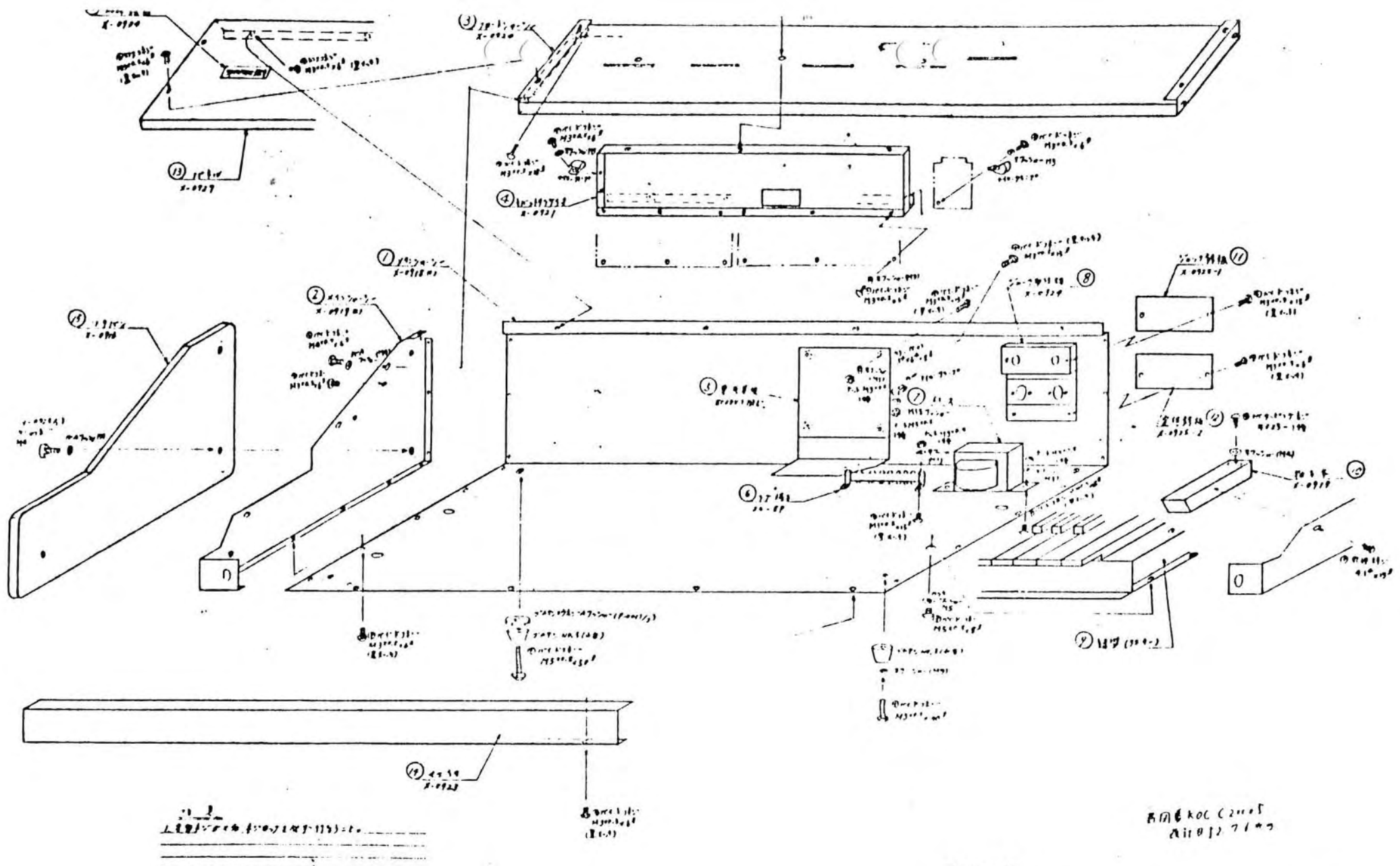
処 理 上				品 番	名 称		材 質	重 量	記 事
訂 正	訂正理由	年月日	氏名	製 区	設 計	確 認	代 理 店	KORG770	
照				T.S.	T.S.		角	KLM 46c. マウント	
				京王技研工業株式会社			2/1	X-1016	改番符号



一般公差 ± 4%

处理 仕上					品番	名称		材質	数量	1台分	重量	記 事
	品番	訂正理由	年月日	氏名		製 国	設 計					
訂 正 歴					T.S.	T.S.		角 法 尺 寸	機 種 名	KORG 770		
										KLM 45 c. マウント		
					京王技研工業株式会社			2 / 1	国 産	X-1015		

KOD-F40023



上蓋の取付位置を示す寸法線
 上蓋の取付位置を示す寸法線
 上蓋の取付位置を示す寸法線

京研工業株式会社
 京研工業株式会社

品名	規格	数量	単位	備考	検査	承認	作成	日付
京研工業株式会社								
X-0936								