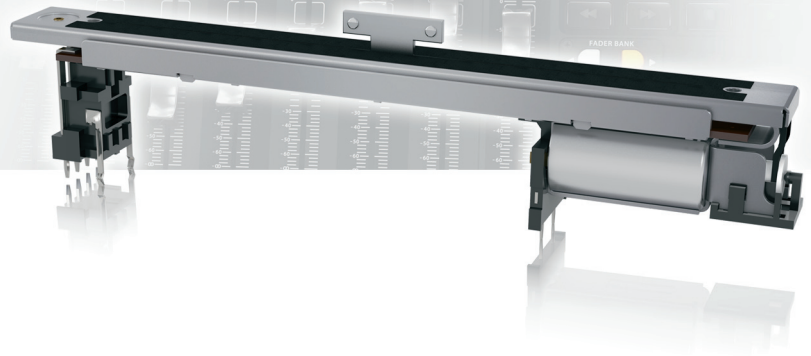


# MOTOR FADER MF100T

Set of 5 High-Performance 100 mm Motor Faders for X-TOUCH and X-TOUCH COMPACT



- Motorized 100 mm Fader for X-TOUCH and X-TOUCH COMPACT
- High-endurance up to 300,000 cycle lifetime
- Premium quality wiper fingers made from phosphor bronze with silver-coating
- High-quality belt and gear for fast and smooth operation
- High-precision 10 kΩ linear resistive track
- Long-life, industry-proven Mabuchi\* motor
- 3-Year Warranty Program\*
- Designed and engineered by BEHRINGER in Germany

All electro-mechanical parts eventually wear down, and that holds true for the motorized faders in our X-TOUCH controllers – they undergo the wear and tear of heavy use. The MF100T is the same motorized 100 mm fader that came in your X-TOUCH or X-TOUCH COMPACT, making it the ideal replacement part for maintaining like-new functionality. The MF100T will extend the lifespan of your X-TOUCH for many more years of the flawless performance you've come to rely on.



## 300,000 Cycle Lifespan

Designed to provide flawless performance for up to 300,000 cycles, the MF100T features premium silver-coated phosphor bronze wiper fingers that float gently on the surface of a high-precision 10 kΩ linear resistive track – for the ultimate in longevity and accuracy.

# MOTOR FADER MF100T

Set of 5 High-Performance 100 mm Motor Faders for X-TOUCH and X-TOUCH COMPACT

## Legendary Mabuchi\* Drive Motor

The Mabuchi drive motor used in the MF100T is recognized by professional engineers the world over as being ultra-responsive, quiet and long-lived. Adding to the quiet operation of the motor, the nylon gear and belt that moves the wiper assembly is crafted of the highest-quality nylon for fast, smooth performance and long-term reliability.



Available from your local [BEHRINGER](#) dealer, the MF100T MOTOR FADER can be installed quickly as part of your scheduled periodic maintenance.

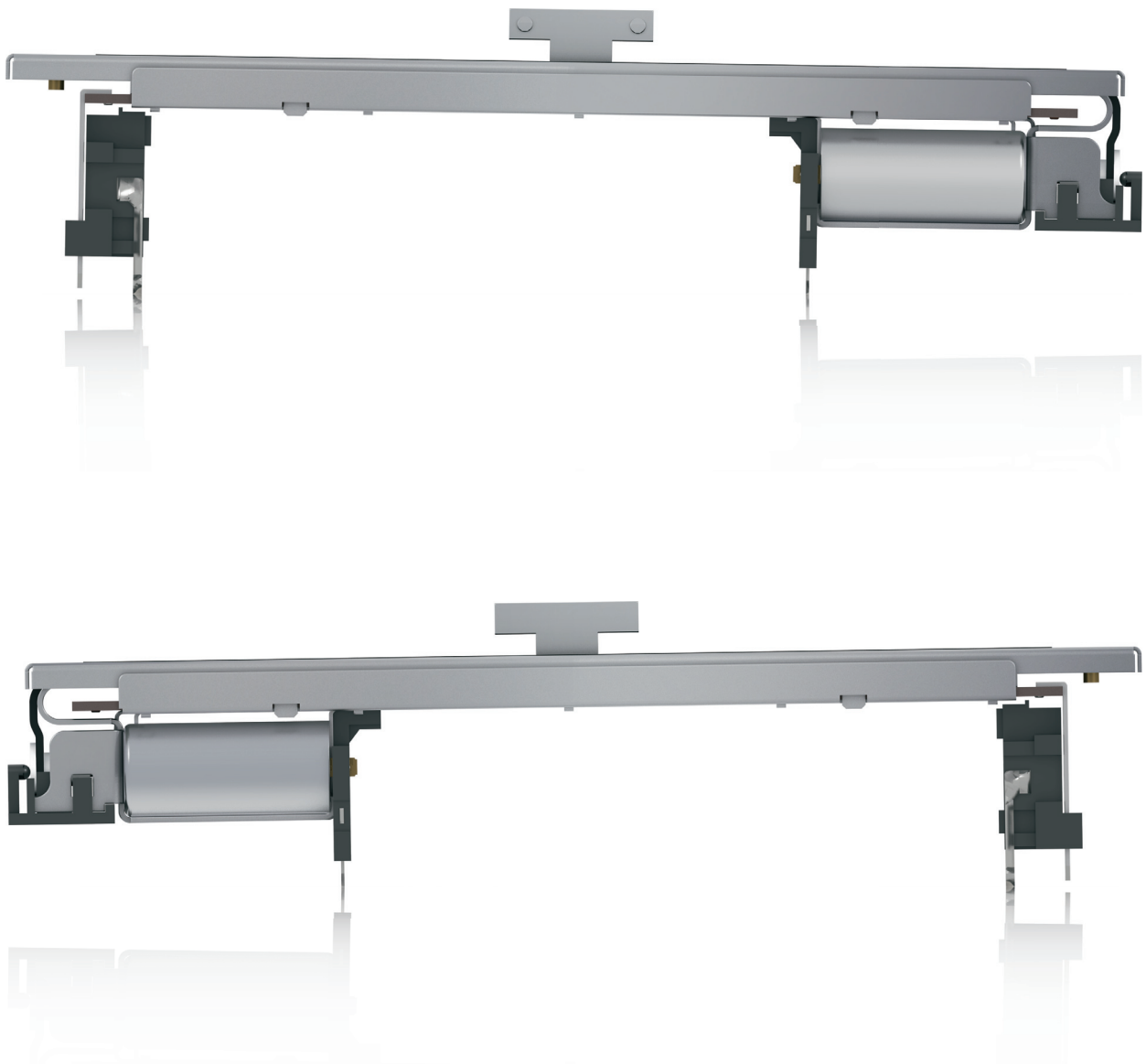
## You Are Covered

We always strive to provide the best possible Customer Experience. Our products are made in our own [MUSIC Group](#) factory using state-of-the-art automation, enhanced production workflows and quality assurance labs with the most sophisticated test equipment available in the world. As a result, we have one of the lowest product failure rates in the industry, and we confidently back it up with a generous [3-Year Warranty program](#).



# MOTOR FADER MF100T

Set of 5 High-Performance 100 mm  
Motor Faders for X-TOUCH and  
X-TOUCH COMPACT



# MOTOR FADER MF100T

Set of 5 High-Performance 100 mm  
Motor Faders for X-TOUCH and  
X-TOUCH COMPACT



For service, support or more information contact the BEHRINGER location nearest you:

**Europe**  
**MUSIC Group Services UK**  
Tel: +44 156 273 2290  
Email: CARE@music-group.com

**USA/Canada**  
**MUSIC Group Services NV Inc.**  
Tel: +1 702 800 8290  
Email: CARE@music-group.com

**Japan**  
**MUSIC Group Services JP K.K.**  
Tel: +81 3 6231 0454  
Email: CARE@music-group.com

MUSIC Group accepts no liability for any loss which may be suffered by any person who relies either wholly or in part upon any description, photograph, or statement contained herein. Technical specifications, appearances and other information are subject to change without notice. All trademarks are the property of their respective owners. MIDAS, KLARK TEKNIK, LAB GRUPPEN, LAKE, TANNÖY, TURBOSOUND, TC ELECTRONIC, TC HELICON, BEHRINGER, BUGERA, DDA and TC APPLIED TECHNOLOGIES are trademarks or registered trademarks of MUSIC Group IP Ltd. © MUSIC Group IP Ltd. 2015 All rights reserved.

