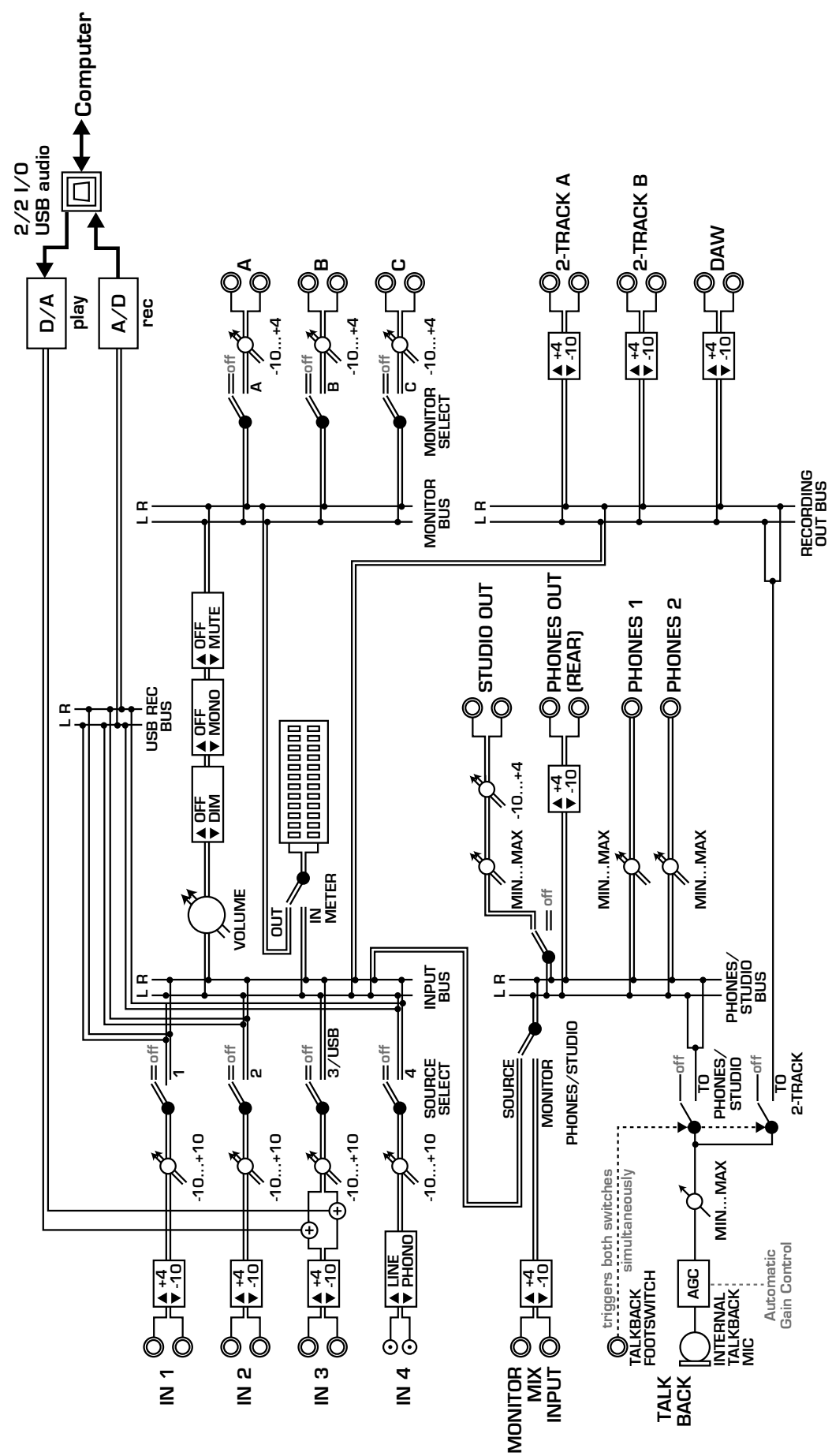


XENYX CONTROL2USB Block Diagram



Frequency Response

Line-level inputs and outputs

¼" jack, balanced or unbalanced	10 Hz to 40 kHz (+0 dB / -1 dB)
Phono input	20 Hz to 20 kHz (±1 dB)

Distortion (THD & IMD)

Line-level inputs to line-level outputs (unity gain)	<0.02 %, 20 Hz to 20 kHz @ +4 dBu
Phono input	<0.10 %, 20 Hz to 20 kHz @ +4 dBu

Noise Floor

Unity gain with Input 1, 2 and 3 assigned	-86 dBu, 20 Hz to 20 kHz
Monitor A, B and C outputs, studio output, DAW, 2-track A & B outputs	-90 dBu, 20 Hz to 20 kHz
Phono input	-75 dBu, 20 Hz to 20 kHz
Equivalent input noise (E.I.N.)	-119 dBu, 20 Hz to 20 kHz

Dynamic Range

Line inputs	107 dB
Phono input	88 dB

Crosstalk

Adjacent inputs	95 dB @ 1 kHz
Left to right / right to left	85 dB @ 1 kHz
Muted / level off	95 dB @ 1 kHz

Control Range

Input level	±10 dB
Output level	-12 dB to 0 dB
Dim switch	0 dB / -20 dB

Rated Input Voltage

Line inputs (+4 dB level setting)	+4 dBu / +30 dBu (nominal / maximum)
Line inputs (-10 dB level setting)	-10 dBu / +15 dBu (nominal / maximum)
Phono input @ 1 kHz, nominal gain	5 mV / 90 mV (nominal / maximum)

Rated Output Voltage

All line-level outputs (+4 dB level setting)	+4 dBu / +21 dBu (nominal / maximum)
All line-level outputs (-10 dB level setting)	-10 dBu / +8 dBu (nominal / maximum)

Maximum Voltage Gain

Input 1, 2 and 3 to:

Monitor A, B and C outputs	+32 dB
DAW, 2-track A & B, and phones (rear) outputs	+22 dB
Studio output	32 dB
Phones 1 & 2 outputs	32 dB (output loaded @ 100 kΩ)

Monitor mix input to:

Phones (rear) outputs	12 dB
Studio output	22 dB
Phones 1 & 2 outputs	22 dB (output loaded @ 100 kΩ)

Phono input @ 1 kHz to:

Monitor A, B and C outputs	65 dB
DAW, 2-track A & B, and phones (rear) outputs	55 dB
Studio output	66 dB
Phones 1 & 2 outputs	66 dB (output loaded @ 100 kΩ)

Input Impedance

Line input	20 kΩ balanced / 14 kΩ unbalanced
Phono input	40 kΩ

Output Impedance

Line output	200 Ω balanced / 100 Ω unbalanced
Headphone output	50 Ω

Input/Output VU Meters

12-segment LED	CLIP, +10, +7, +4, +2, 0, -2, -4, -7, -10, -20, -30 dB
----------------	--

Talkback Section

Automatic gain control (AGC)	Yes
Nominal output level	+4 dBu (+4 dB output level setting)
Output level range	-∞ to +10 dB

Power Supply / Voltage (Fuses)

Mains voltage	100-240 V~, 50/60 Hz
Fuse	T 1AH 250 V
Power consumption	15 W
Mains connection	Standard IEC receptacle

USB

Audio	Stereo in / out
Connector	Type B
Sample rate	44.1 / 48 kHz

Dimensions/Weight

Dimensions (H x W x D)	87 x 389 x 198 mm (3.4 x 15.3 x 7.8")
Weight	2.4 kg (5.3 lbs)

其他的重要信息

CN 其他的重要信息

1. 在线注册。 请购买 MUSIC Group 产品后立即在 behringer.com 网站注册。网页上有简单的在线注册表格。这有助于我们更快更有效地处理您维修等事宜。请阅读保修的相关条款及条件。

2. 无法正常工作。 若您的 MUSIC Group 产品无法正常工作, 我们会为您尽快修复。请联系您购买产品的销售商。若你所在地区没有 MUSIC Group 销售商, 请联系 behringer.com 网站的“WHERE TO BUY”一栏下的所列出的子公司或经销商。

3. 电源连接。 将本设备连接电源前, 请确保使用的电压正确。保险丝需要更换时, 必须使用相同型号及定额的保险丝。

Dedicate Your Life to MUSIC